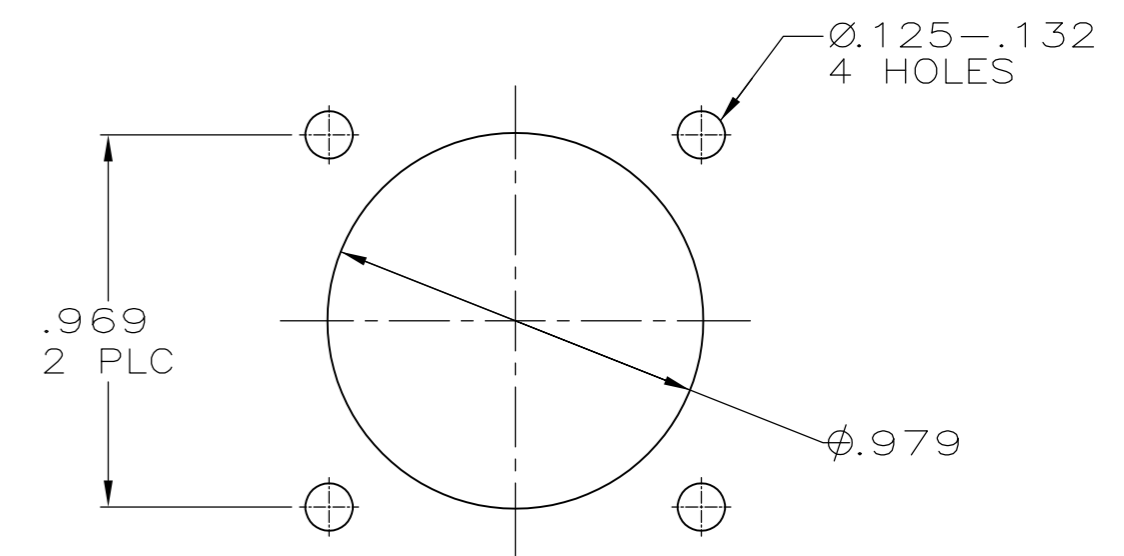
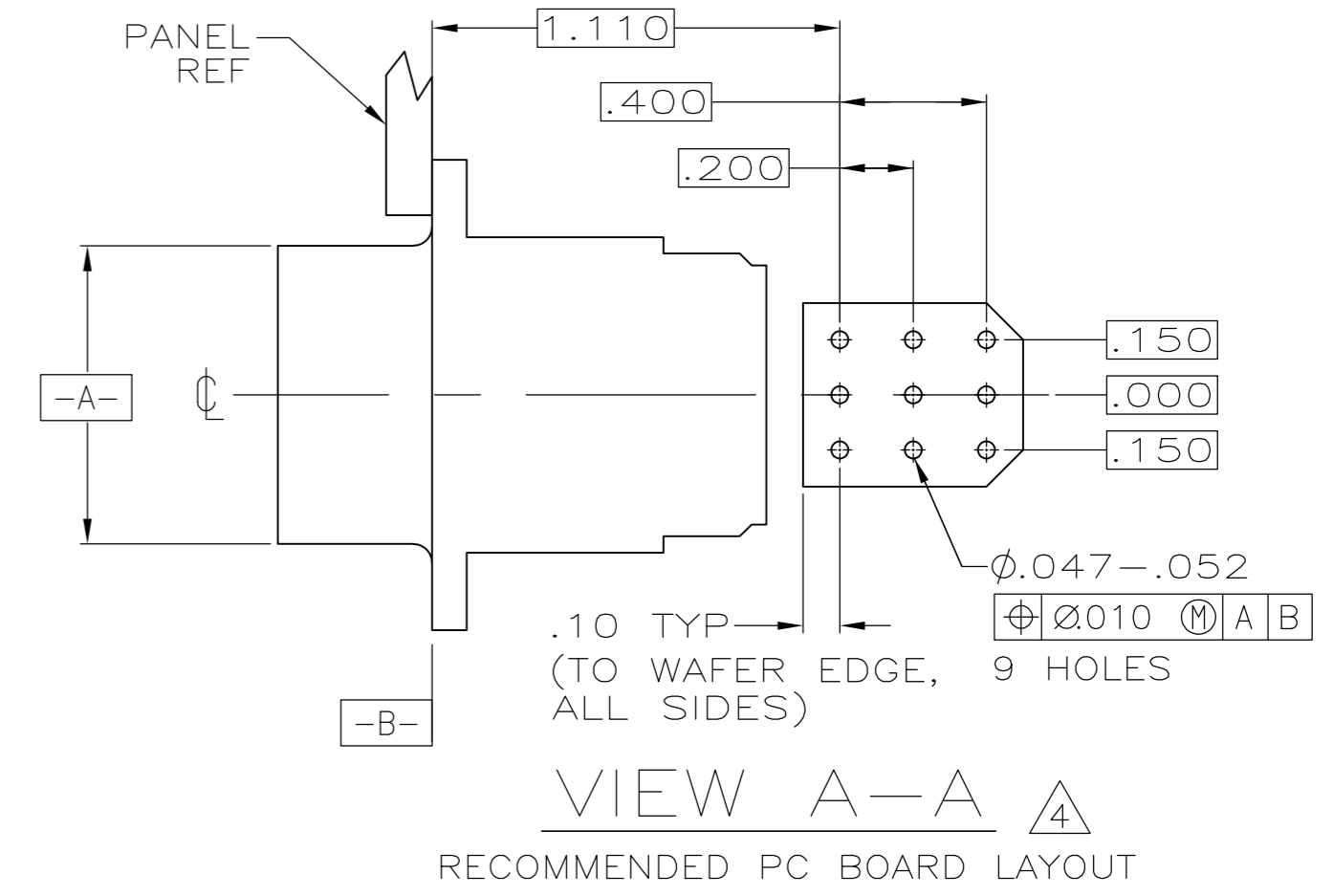
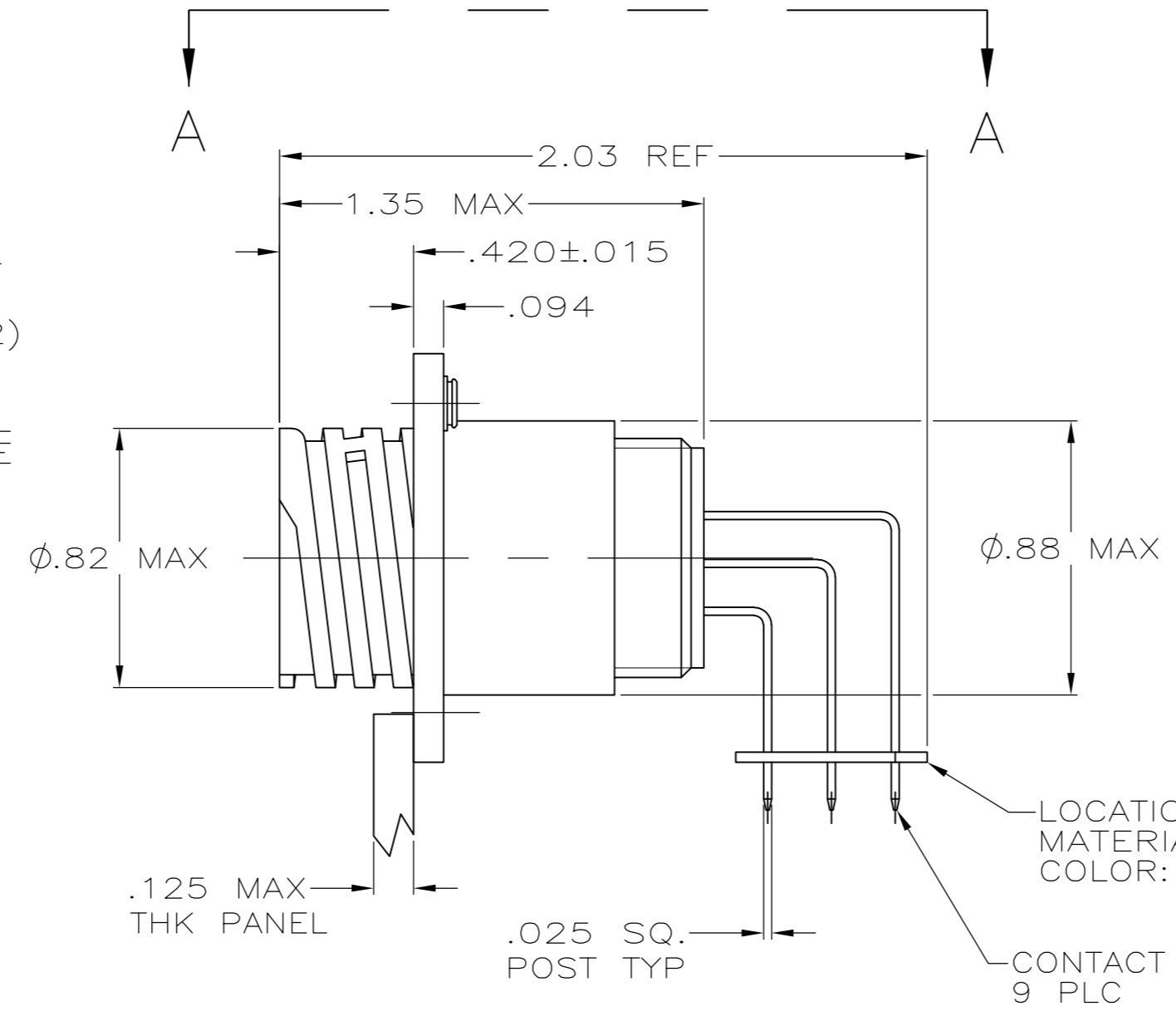
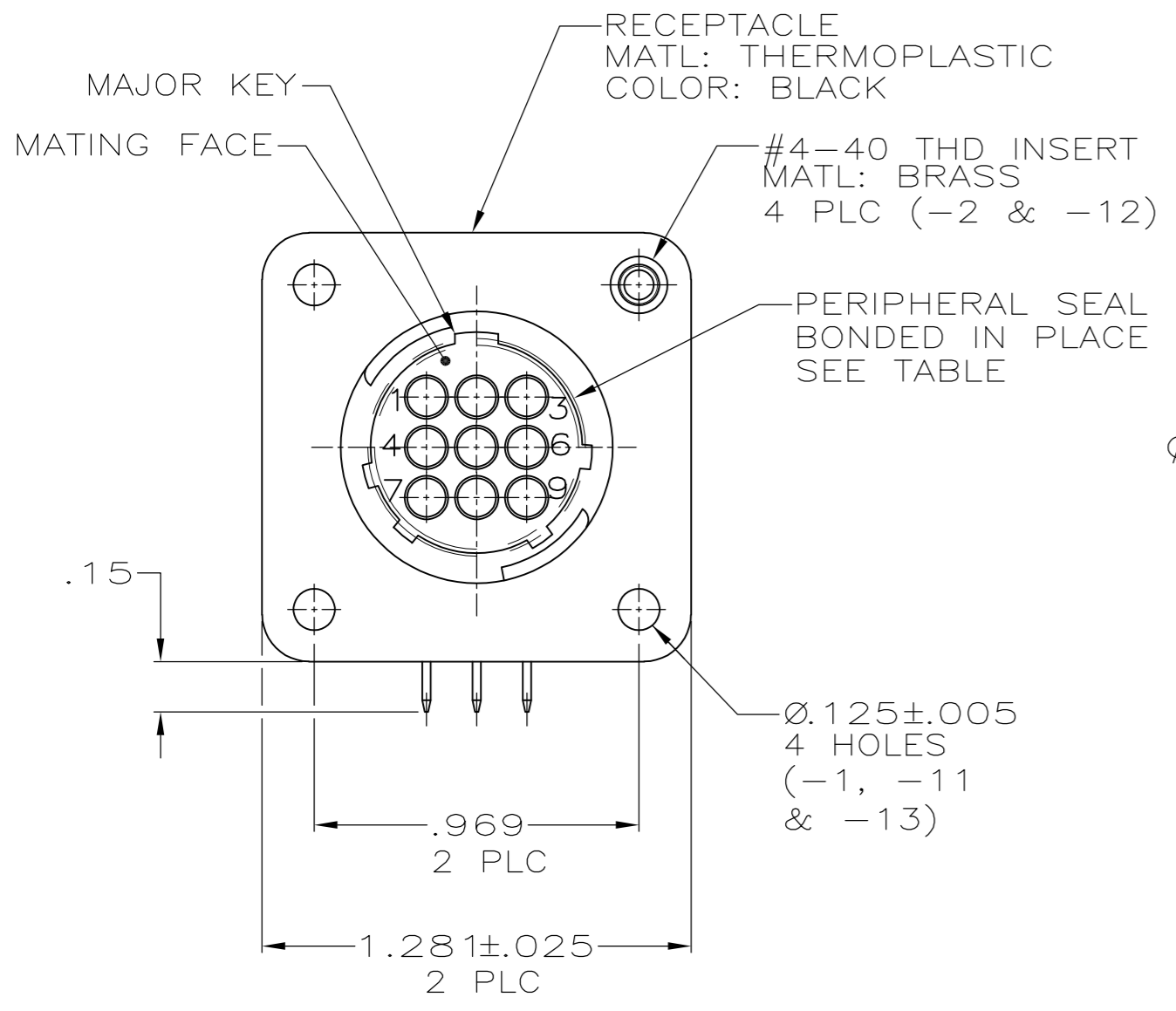


THIS DRAWING IS UNPUBLISHED. RELEASED FOR PUBLICATION
 © COPYRIGHT - By - ALL RIGHTS RESERVED.

| REVISIONS | | | | |
|-----------|-----|---------------------------|-----------|-------|
| P | LTR | DESCRIPTION | DATE | APVD |
| F1 | | REVISED PER ECO-16-004800 | 10SEP2016 | NK MZ |



RECOMMENDED
 PANEL CUTOUT

- 1 CONTACT CAVITIES IDENTIFIED BY CHARACTERS ON FRONT AND REAR FACES OF CONNECTOR.
- 2 #4 FASTENER RECOMMENDED FOR -1 MOUNTING.
 #4 FASTENER REQUIRED FOR -2 MOUNTING.
- 3 CONTACT BODY: .000030 MIN GOLD FOR A LENGTH OF .250 MIN FROM MATING END, WITH REMAINDER TO BE GOLD FLASH, BOTH OVER .000050 MIN NICKEL.
 CONTACT POST: .000100 MIN TIN-LEAD OVER .000100 MIN COPPER.
- 4 PC BOARD HOLE PATTERN IS DEFINED RELATIVE TO CONNECTOR C.L. AND PANEL MOUNTING FACE INDICATED.
- 5 CONTACT BODY: .000030 MIN GOLD FOR A LENGTH OF .250 MIN FROM MATING END, WITH REMAINDER TO BE GOLD FLASH, BOTH OVER .000050 MIN NICKEL.
 CONTACT POST: .000100 MIN TIN OVER .000100 MIN COPPER.

| | | | | |
|----------|---|----------------|-------------|-----------------------|
| OBSOLETE | 5 | YES | W/O INSERTS | 1-796375-3 |
| | 5 | NO | W/INSERTS | 1-796375-2 |
| | 5 | NO | W/O INSERTS | 1-796375-1 |
| OBSOLETE | 3 | YES | W/O INSERTS | 796375-3 |
| OBSOLETE | 3 | NO | W/INSERTS | 796375-2 |
| | 3 | NO | W/O INSERTS | 796375-1 |
| | | CONTACT FINISH | SEAL | CONFIG. |
| | | | | PART NUMBER |

THIS DRAWING IS A CONTROLLED DOCUMENT.

| | | | |
|-----------------------|--|--------------------------|-----------------|
| DIMENSIONS: INCHES | TOLERANCES UNLESS OTHERWISE SPECIFIED: | DWN HAMNER 2-19-00 | TE Connectivity |
| | | CHK M.CHACKO 2-23-00 | |
| | | APVD M.CHACKO 2-23-00 | |
| | | PRODUCT SPEC | |
| | | APPLICATION SPEC | |
| | | WEIGHT | |
| MATERIAL | FINISH | SCALE | RESTRICTED TO |
| | | A2 00779 C=796375 | |
| | | CUSTOMER DRAWING | |

NAME: RECEPTACLE ASSY, POSTED, RT ANGLE, STD SEX, SIZE 13-9, SERIES 1, CPC

SIZE: A2 CAGE CODE: 00779 DRAWING NO: C=796375

SCALE: 2:1 SHEET: 1 of 1 REV: F1