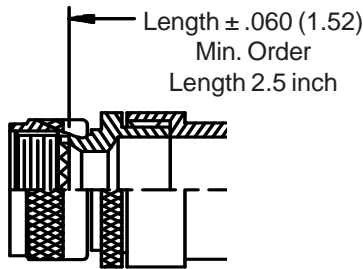
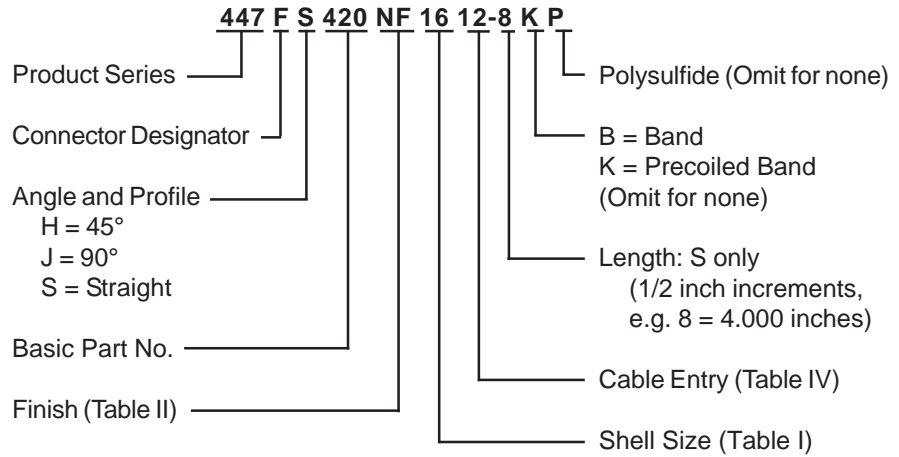
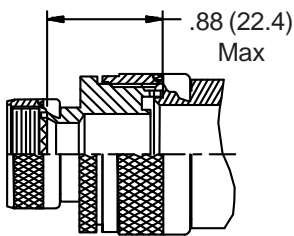
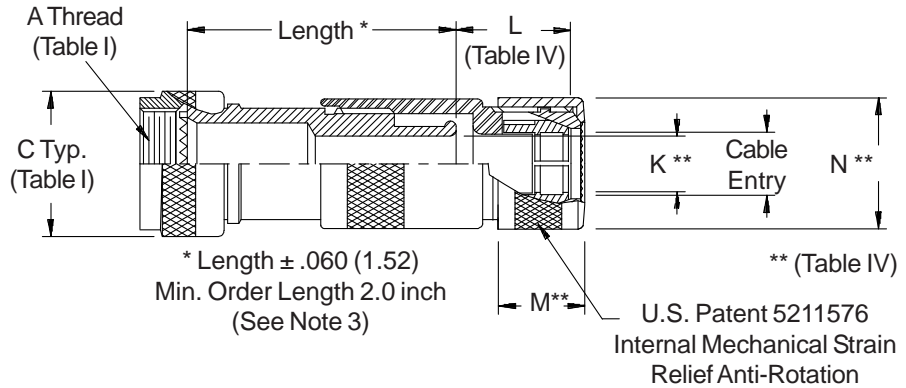


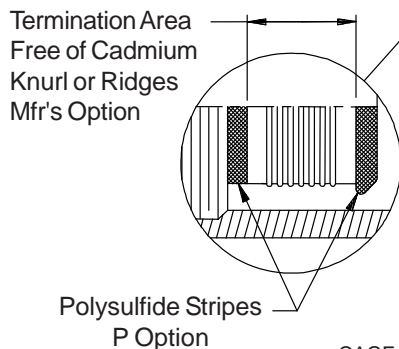
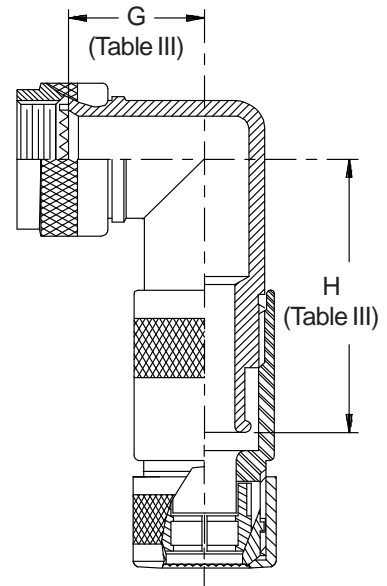
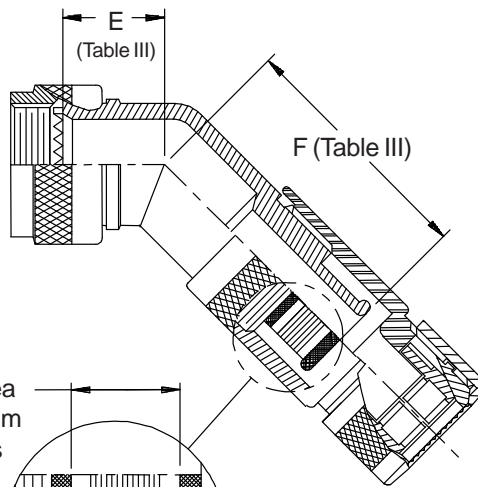
CONNECTOR DESIGNATORS
A-F-H-L-S
ROTATABLE COUPLING



STYLE 2 (STRAIGHT)
 See Note 1)



STYLE 2 (45° & 90°)
 See Note 1)



447-420
EMI/RFI Non-Environmental Band-in-a-Can Backshell
with QwikClamp Strain-Relief
Rotatable Coupling - Standard Profile



See inside back cover fold-out or pages 13 and 14 for Tables I and II.

TABLE III: ELBOW DIMENSIONS

Shell Size		E Max	F Max	G Max	H Max
Conn. Desig. A-F-L-S	H				
08	09	.639 (16.2)	1.380 (35.1)	.750 (19.1)	1.500 (38.1)
10	11	.664 (16.9)	1.410 (35.8)	.810 (20.6)	1.550 (39.4)
12	13	.688 (17.5)	1.430 (36.3)	.870 (22.1)	1.610 (40.9)
14	15	.705 (17.9)	1.460 (37.1)	.920 (23.4)	1.680 (42.7)
16	17	.732 (18.6)	1.480 (37.6)	.980 (24.9)	1.740 (44.2)
18	19	.748 (19.0)	1.490 (37.8)	1.020 (25.9)	1.760 (44.7)
20	21	.773 (19.6)	1.510 (38.4)	1.080 (27.4)	1.820 (46.2)
22	23	.800 (20.3)	1.550 (39.4)	1.140 (29.0)	1.900 (48.3)
24	25	.823 (20.9)	1.580 (40.1)	1.200 (30.5)	1.970 (50.0)

TABLE IV: CABLE ENTRY

Dash No.	Clamp Size (Ref)	K Dia	L Max	M Max	N Max	Cable Range	
						Min	Max
02	08	.125 (3.2)	.970 (24.6)	.530 (13.5)	.720 (18.3)	.100 (2.5)	.250 (6.4)
03	08	.188 (4.8)	.970 (24.6)	.530 (13.5)	.720 (18.3)	.098 (2.5)	.200 (5.1)
04	08	.250 (6.4)	.970 (24.6)	.530 (13.5)	.720 (18.3)	.098 (2.5)	.250 (6.4)
05	12	.312 (7.9)	1.110 (28.2)	.710 (18.0)	.910 (23.1)	.203 (5.2)	.375 (9.5)
06	12	.375 (9.5)	1.110 (28.2)	.710 (18.0)	.910 (23.1)	.203 (5.2)	.375 (9.5)
07	16	.438 (11.1)	1.210 (30.7)	.720 (18.3)	1.090 (27.7)	.328 (8.3)	.500 (12.7)
08	16	.500 (12.7)	1.210 (30.7)	.720 (18.3)	1.090 (27.7)	.328 (8.3)	.500 (12.7)
09	20	.562 (14.3)	1.210 (30.7)	.720 (18.3)	1.220 (31.0)	.452 (11.5)	.625 (15.9)
10	20	.625 (15.9)	1.210 (30.7)	.720 (18.3)	1.220 (31.0)	.452 (11.5)	.625 (15.9)
11	24	.688 (17.5)	1.210 (30.7)	.660 (16.8)	1.340 (34.0)	.515 (13.1)	.750 (19.1)
12	24	.750 (19.1)	1.360 (34.5)	.660 (16.8)	1.340 (34.0)	.515 (13.1)	.750 (19.1)
13	28	.812 (20.6)	1.360 (34.5)	.790 (20.1)	1.530 (38.9)	.640 (16.3)	.875 (22.2)
14	28	.875 (22.2)	1.510 (38.4)	.790 (20.1)	1.530 (38.9)	.640 (16.3)	.875 (22.2)
15	32	.938 (23.8)	1.510 (38.4)	.870 (22.1)	1.720 (43.7)	.765 (19.4)	1.000 (25.4)
16	32	1.000 (25.4)	1.510 (38.4)	.870 (22.1)	1.720 (43.7)	.765 (19.4)	1.000 (25.4)
17	36	1.062 (27.0)	1.510 (38.4)	.830 (21.1)	1.850 (47.0)	.859 (21.8)	1.125 (28.6)
18	36	1.125 (28.6)	1.510 (38.4)	.830 (21.1)	1.850 (47.0)	.859 (21.8)	1.125 (28.6)
20	40	1.250 (31.8)	1.510 (38.4)	.820 (20.8)	1.970 (50.0)	.984 (25.0)	1.250 (31.8)
22	44	1.375 (34.9)	1.510 (38.4)	.910 (23.1)	2.090 (53.1)	1.125 (28.6)	1.375 (34.9)
24	48	1.500 (38.1)	1.510 (38.4)	.900 (22.9)	2.280 (57.9)	1.250 (31.8)	1.500 (38.1)

- When maximum cable entry (page 21) is exceeded, Style 2 will be supplied.
Dimensions E, F, G, and H will not apply. Please consult factory.
- Metric dimensions (mm) are indicated in parentheses.
- Consult factory for shorter lengths on straight backshells.
- Backshells supplied with 600-052-* band, see Glenair Series 600 Tool Catalog for installation.

-445 Now Available with the "NESTOR"

Add "-445" to Specify Glenair's Non-Detent, Spring-Loaded, Self-Locking Coupling. See Page 41 for Details.