



Main

| | |
|-------------------------------|-------------------------------------------------------------|
| Range of product | OsiSense XU |
| Series name | General purpose single mode |
| Electronic sensor type | Photo-electric sensor receiver |
| Sensor name | XUK |
| Sensor design | Compact 50 x 50 |
| Detection system | Thru beam |
| Material | Plastic |
| Type of output signal | Discrete |
| Supply circuit type | DC |
| Wiring technique | 3-wire |
| Discrete output type | PNP |
| Discrete output function | 1 NO |
| Electrical connection | Cable |
| Cable length | 6.56 ft (2 m) |
| Product specific application | - |
| Emission | Infrared thru beam |
| [Sn] nominal sensing distance | 98.43 ft (30 m) thru beam need a transmitter XUK2AKSNL2T |

Complementary

| | |
|---------------------------|---------------------------------------------------|
| Enclosure material | PBT |
| Lens material | PMMA |
| Maximum sensing distance | 147.64 ft (45 m) thru beam |
| Output type | Solid state |
| Add on output | Without |
| Wire insulation material | PVC |
| Status LED | 1 LED (yellow) output state |
| [Us] rated supply voltage | 12...24 V DC with reverse polarity protection |
| Supply voltage limits | 10...36 V DC |
| Switching capacity in mA | <= 100 mA (overload and short-circuit protection) |
| Switching frequency | <= 250 Hz |
| Voltage drop | <= 1.5 V (closed state) |
| Current consumption | <= 35 mA (no-load) |
| Delay first up | < 15 ms |
| Delay response | < 2 ms |
| Delay recovery | < 2 ms |
| Setting-up | Without sensitivity adjustment |
| Depth | 1.97 in (50 mm) |
| Height | 1.97 in (50 mm) |
| Width | 0.71 in (18 mm) |
| Product weight | 0.31 lb(US) (0.14 kg) |

Environment

| | |
|---------------------------------------|----------------------------|
| product certifications | CE CSA UL |
| ambient air temperature for operation | -13...131 °F (-25...55 °C) |
| ambient air temperature for storage | -40...158 °F (-40...70 °C) |

The information provided in this documentation contains general descriptions and/or technical characteristics of the products contained herein. This documentation is not intended as a substitute for and is not to be used for determining suitability or reliability of these products for specific user applications. It is the duty of any such user or integrator to perform the appropriate and complete risk analysis, evaluation and testing of the products with respect to the relevant specific application or use thereof. Neither Schneider Electric Industries SAS nor any of its affiliates or subsidiaries shall be responsible or liable for misuse of the information contained herein.

| | |
|-------------------------|---------------------------------------------------------------------------|
| vibration resistance | 7 gn, amplitude = +/- 1.5 mm (f = 10...55 Hz) conforming to IEC 60068-2-6 |
| shock resistance | 30 gn (duration = 11 ms) conforming to IEC 60068-2-27 |
| IP degree of protection | IP65 double insulation conforming to IEC 60529 |

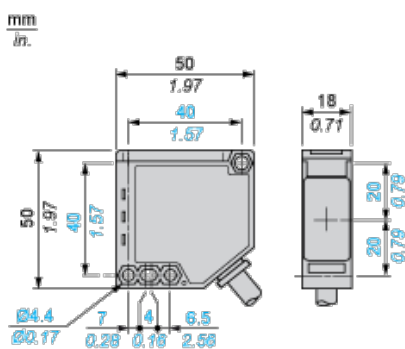
Offer Sustainability

| | |
|----------------------------------------------------------------------------------------------------------------------------|----------------------------------------------------------------------------------------------------------------------------|
| Not Green Premium product | Not Green Premium product |
| Compliant - since 0841 - Schneider Electric declaration of conformity | Compliant - since 0841 - Schneider Electric declaration of conformity |
| Available | Available |
| Available | Available |
| WARNING: This product can expose you to chemicals including: | WARNING: This product can expose you to chemicals including: |
| Diisononyl phthalate (DINP), which is known to the State of California to cause cancer, and | Diisononyl phthalate (DINP), which is known to the State of California to cause cancer, and |
| Di-isodecyl phthalate (DIDP), which is known to the State of California to cause birth defects or other reproductive harm. | Di-isodecyl phthalate (DIDP), which is known to the State of California to cause birth defects or other reproductive harm. |
| For more information go to www.p65warnings.ca.gov | For more information go to www.p65warnings.ca.gov |

Contractual warranty

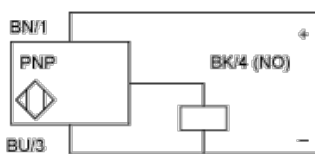
| | |
|-----------------|-----------|
| Warranty period | 18 months |
|-----------------|-----------|

Dimensions



Wiring Schemes

PNP Outputs



BN : Brown

BU : Blue

BK : Black

Detection Curves

