

Electronic housing - EG 45-G/ABS GY - 2764108

Please be informed that the data shown in this PDF Document is generated from our Online Catalog. Please find the complete data in the user's documentation. Our General Terms of Use for Downloads are valid (<http://phoenixcontact.com/download>)




Lower housing part, with snap-on foot

The figure shows fully mounted versions of the electronic housing, in green



Key Commercial Data

Packing unit	10 pc
GTIN	 4 017918 368678
GTIN	4017918368678

Technical data

General

Housing type	Component housing
Housing material	Acryl butadiene styrene (ABS)
Color (RAL)	gray (7040)

Ambient conditions

Ambient temperature (operation)	-40 °C ... 80 °C
---------------------------------	------------------

Dimensions

Length	75 mm
Width	45 mm
Depth	75 mm

Technical data

Number of positions	16
---------------------	----

Standards and Regulations

Flammability rating according to UL 94	HB
--	----

Electronic housing - EG 45-G/ABS GY - 2764108

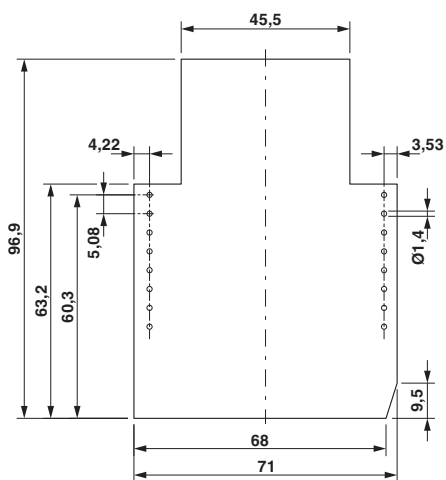
Technical data

Environmental Product Compliance

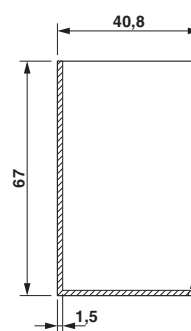
China RoHS	Environmentally friendly use period: unlimited = EFUP-e
	No hazardous substances above threshold values

Drawings

Dimensional drawing



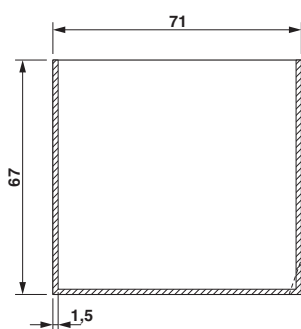
Dimensional drawing



valid for PCB 1; 3; 5 and 6, see explosion drawing

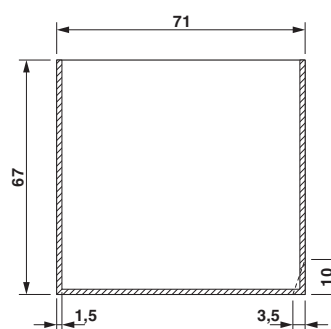
Component mounting side, if the double-level upper part is used

Dimensional drawing



valid for PCB 7 and 12, see explosion drawing

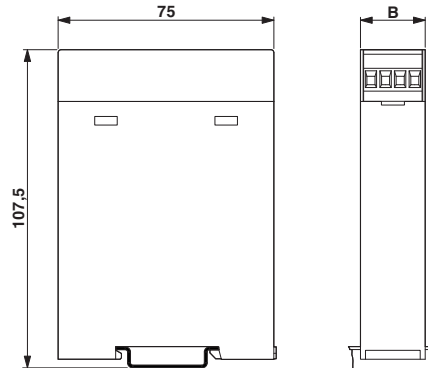
Dimensional drawing



valid for PCB 10, see explosion drawing

Electronic housing - EG 45-G/ABS GY - 2764108

Dimensional drawing



Approvals

Approvals

Approvals

UL Recognized

Ex Approvals

Approval details

UL Recognized



<http://database.ul.com/cgi-bin/XYV/template/LISEXT/1FRAME/index.htm>

FILE E 240868

Phoenix Contact 2018 © - all rights reserved
<http://www.phoenixcontact.com>

PHOENIX CONTACT GmbH & Co. KG
Flachsmarktstr. 8
32825 Blomberg
Germany
Tel. +49 5235 300
Fax +49 5235 3 41200
<http://www.phoenixcontact.com>