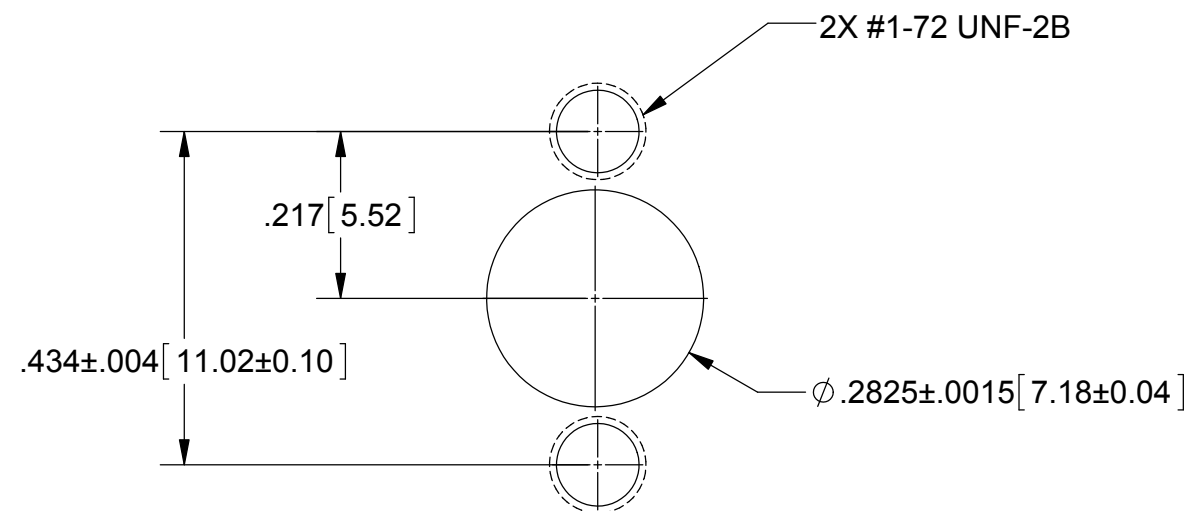
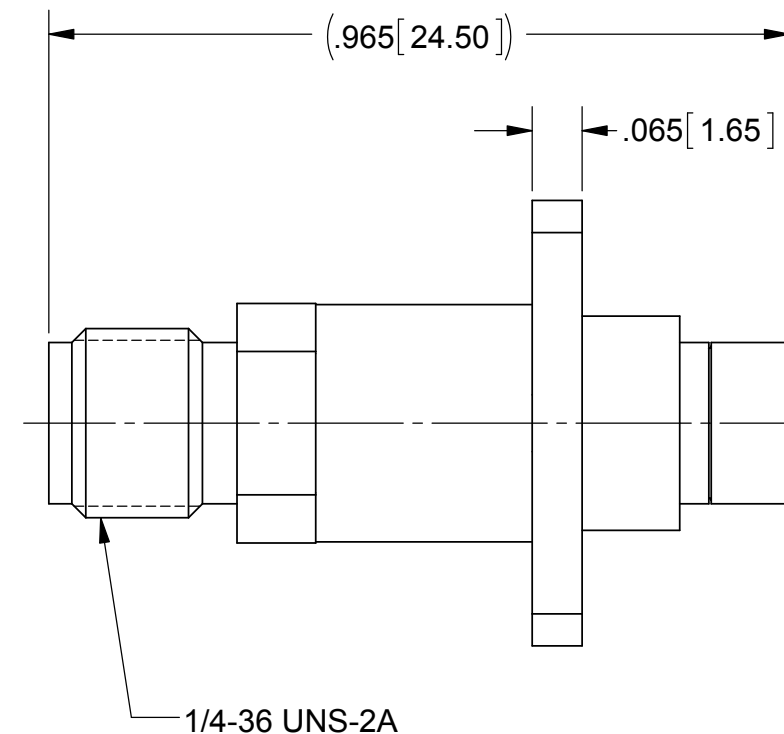
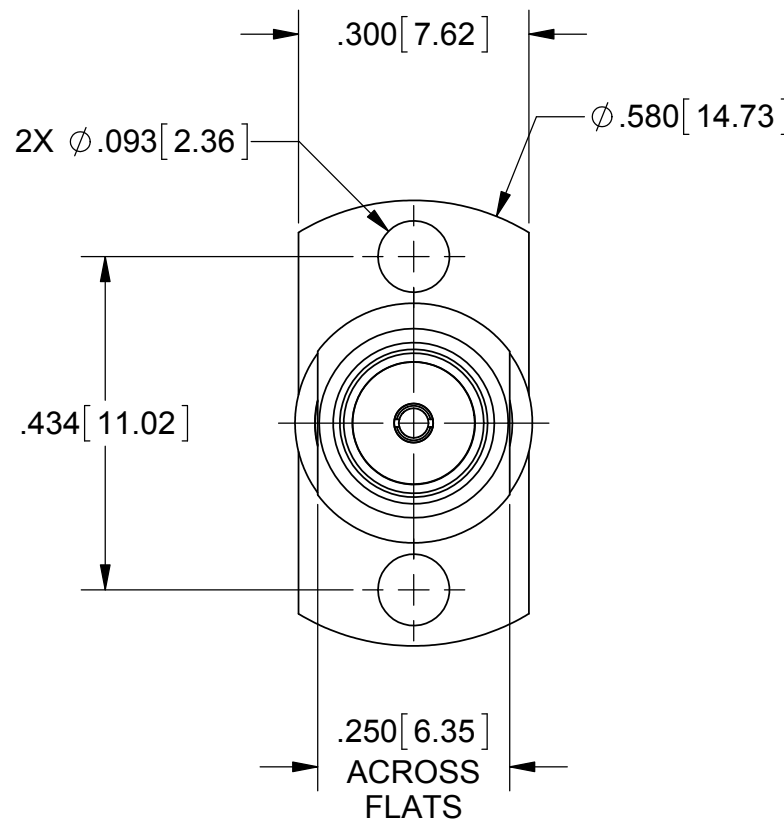
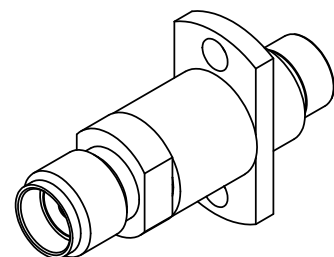


PRODUCT DATA DRAWING

REVISION HISTORY			
REV	DESCRIPTION	DATE	APPROVED
A	DCN 41727	10/15	DAL



RECOMMENDED MOUNTING HOLE

MATERIAL:

BODY, INSERT & FLANGE:

STAINLESS STEEL PER AMS-5640, ALLOY UNS S30300, TYPE 1

SPRING:

300 SERIES STAINLESS STEEL

CONTACTS, CONTACT SLEEVE, SPRING CLIP & E-RING:

BERYLLIUM COPPER PER ASTM B196, ALLOY No. UNS C17300, TD04

SHIM SPRING:

BERYLLIUM COPPER PER ASTM B194, ALLOY No. UNS C17200, TD04

INSULATOR:

PTFE PER ASTM D1710, TYPE I, GRADE 1, CLASS B

FINISH:

BODY, SPRING, INSERT & FLANGE:

PASSIVATED PER AMS-2700

CONTACT, CONTACT SLEEVE, SPRING CLIP & SHIM SPRING:

GOLD PER ASTM B488, TYPE II, CODE C, CLASS .76, OVER NICKEL PER AMS-QQ-N-290, CLASS 1, .00005" MIN.

E-RING:

NICKEL PER AMS-QQ-N-290, CLASS 2, SEMI-BRIGHT TO DULL

PERFORMANCE:

IMPEDANCE:
FREQ. RANGE:

50 OHMS
DC TO 18.0 GHz

MATERIAL: SEE NOTES	DIMENSIONS ARE IN INCHES TOLERANCES: FRACTIONAL: ±1/64 ANGULAR: X° ±1'0" X'X' ±15'	UNLESS OTHERWISE SPECIFIED 1) ALL DIMENSIONS ARE IN INCHES (MILLIMETERS) 2) ALL DIMENSIONS ARE AFTER PLATING. 3) BREAK CORNERS & EDGES .005 R. MAX. 4) CHAM. 1ST & LAST THREADS. 5) SURFACE ROUGHNESS 63-MIL-STD-10. 6) DIA.'S ON COMMON CENTERS TO BE CONCENTRIC WITHIN .005 T.I.R. 7) REMOVE ALL BURRS	 2400 Centrepark West Drive, Suite 100 West Palm Beach, FL 33409 TITLE: BMMA JACK TO SMA JACK FLOATING FLANGE MOUNT
FINISH: SEE NOTES	DECIMAL: X ±.030 .XX ±.010 .XXX ±.005	INTERPRET DIMENSIONS AND TOLERANCES PER ASME Y14.5M - 1994	
SURFACE AREA: N/A	THIRD ANGLE PROJECTION	DRAWN: GPF 10/02/15	SIZE: B CAGE CODE: 95077 DWG. NO.: SF1114-6005
PROPRIETARY THE INFORMATION CONTAINED IN THIS DRAWING IS THE SOLE PROPERTY OF SV MICROWAVE, INC. ANY REPRODUCTION IN PART OR AS A WHOLE WITHOUT THE WRITTEN PERMISSION OF SV MICROWAVE, INC IS PROHIBITED.		CHECKED: DAL 10/02/15	SCALE: 4:1
		APPROVED: STW 01/20/03	SHEET 1 OF 1