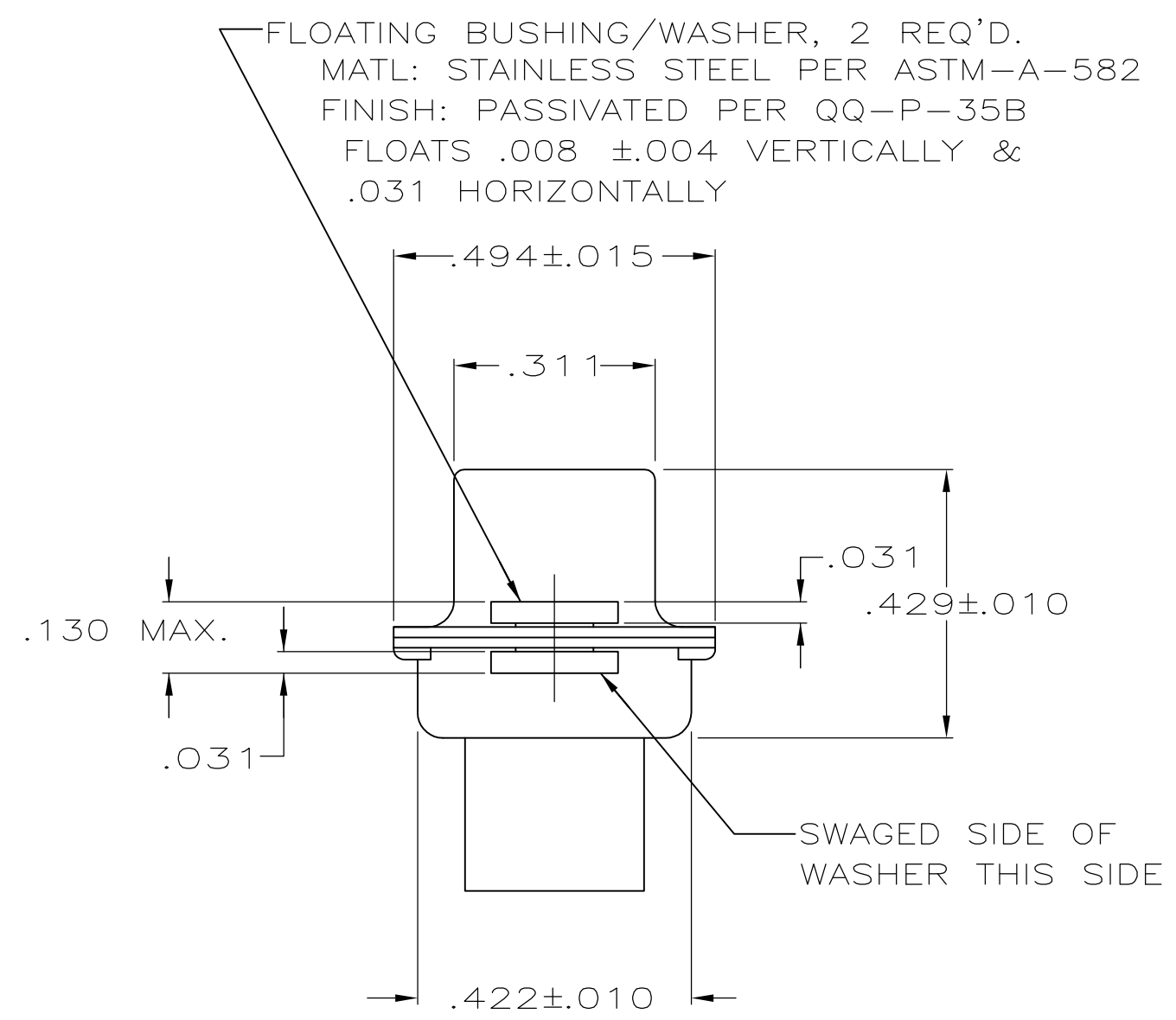
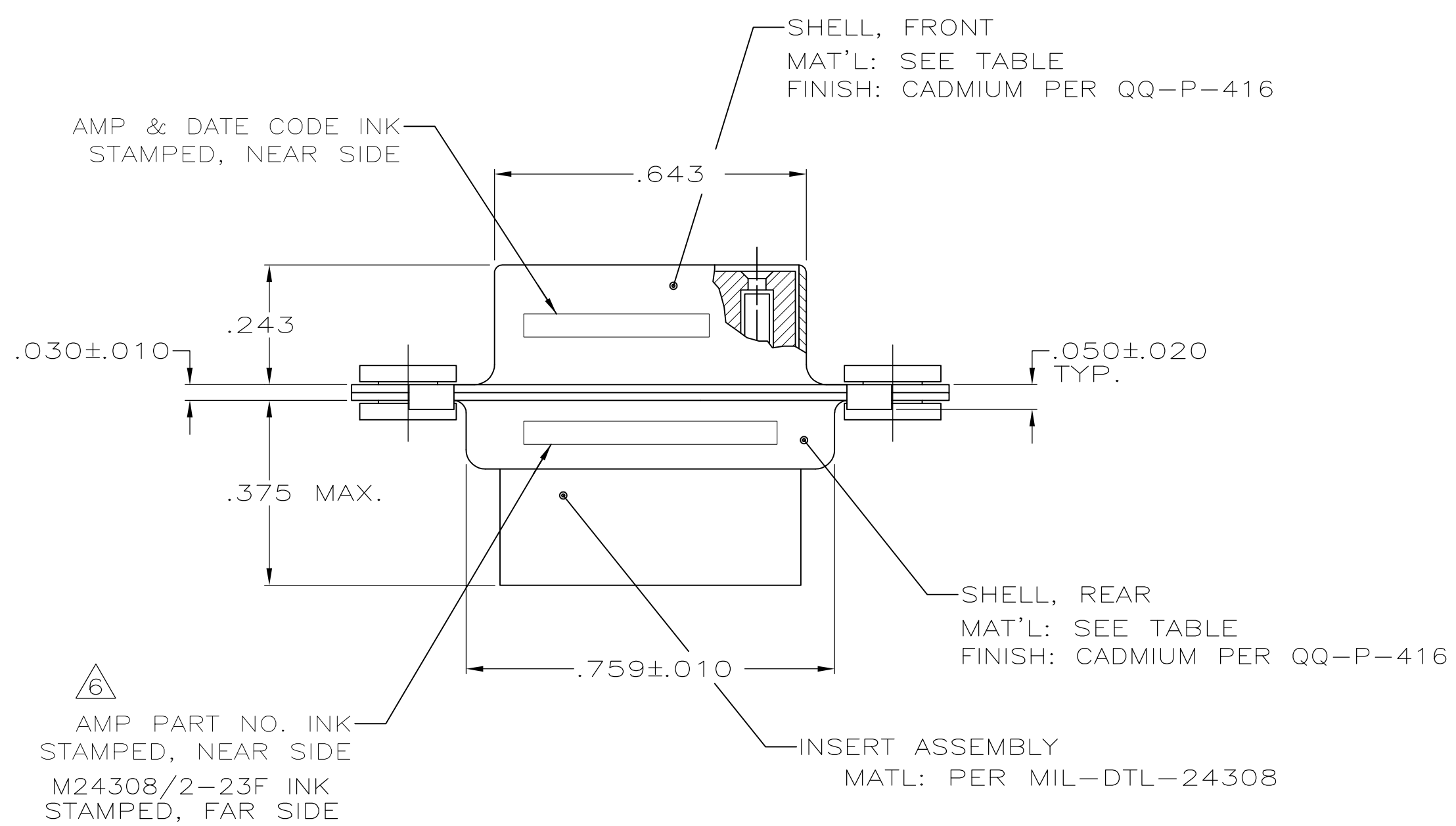
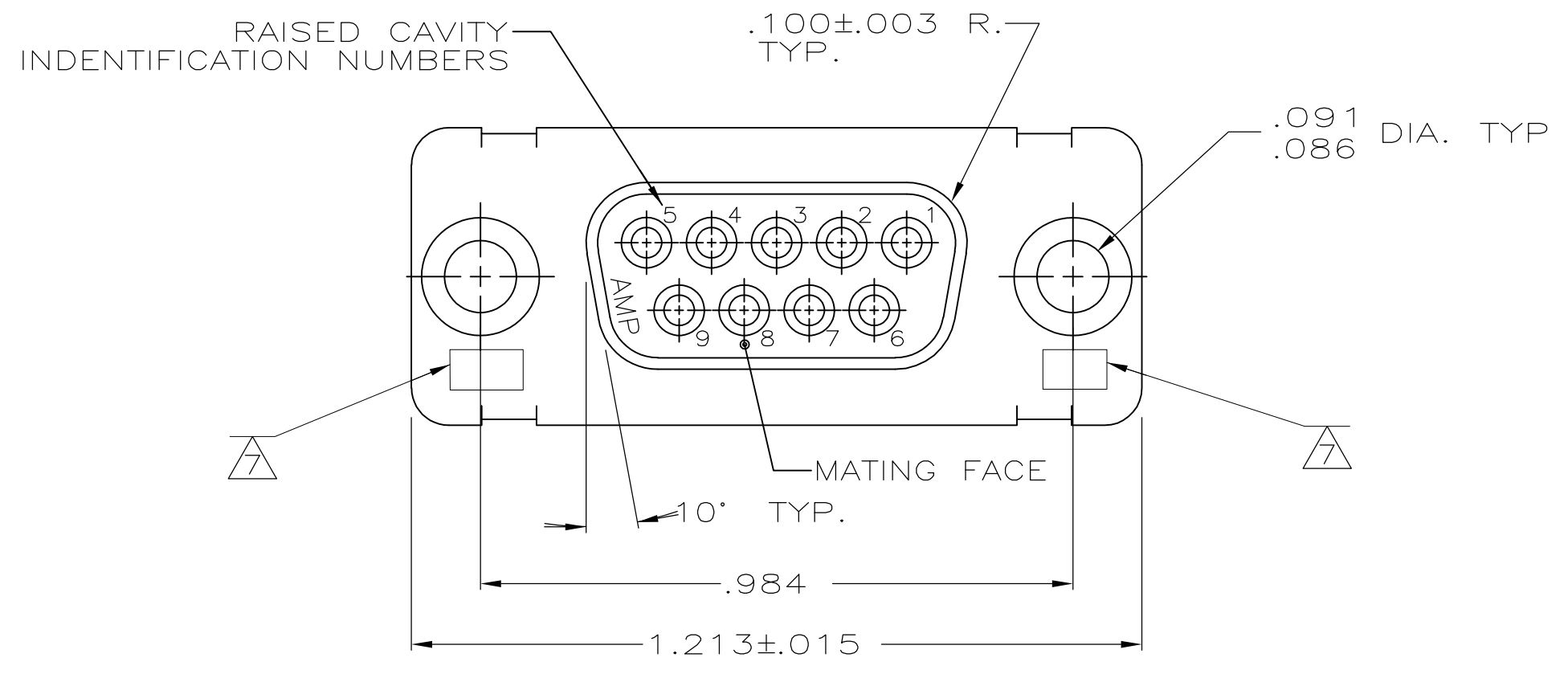


THIS DRAWING IS UNPUBLISHED. RELEASED FOR PUBLICATION
 © COPYRIGHT - By - ALL RIGHTS RESERVED.

LOC		DIST		REVISIONS			
P	LTR	DESCRIPTION	DATE	DWN	APVD		
	M	REV PER ECO-15-005911	20MAY15	KG	DM		



- THIS RCPT. IS DESIGNED TO CONFORM TO THE LATEST ISSUE OF MIL-C-24308
 - MAX WIRE INSUL TO BE USED WITH THIS RCPT IS .068 DIA
 - STAINLESS STEEL RETENTION CLIPS ARE INCLUDED IN INSERTS
 - PACKAGE STAMPED M24308/2-292F
 - THIS RCPT. WILL ACCEPT SIZE 20 SOCKET CONTACT M24308/10 OR AMP # 205090
- △ AMP PART NO. STAMPED ON CONNECTOR REPRESENTS KIT NUMBER WITH CONTACTS
 △ UL/CSA DESIGNATION STAMPED IN THIS AREA.

OBSOLETE	BRASS	205416-2
	STEEL PER ASTM-A-109	205416-1
	SHELL MAT'L	PART NUMBER

THIS DRAWING IS A CONTROLLED DOCUMENT.		DWN	C.C.THOMAS	12-9-87
DIMENSIONS: INCHES		CHK	FC BALLEW III	12-10-87
TOLERANCES UNLESS OTHERWISE SPECIFIED:		APVD		
0 PLC	± -	PRODUCT SPEC		
1 PLC	± -	APPLICATION SPEC		
2 PLC	± -			
3 PLC	± .005			
4 PLC	± -			
ANGLES	± 0'30"			
MATERIAL	SEE CALLOUTS	FINISH	SEE CALLOUTS	
MATERIAL		WEIGHT		
SEE CALLOUTS		WEIGHT		
SEE CALLOUTS		SCALE	4:1	SHEET 1 of 1
SEE CALLOUTS		CUSTOMER DRAWING		REV M

STE TE Connectivity

AMPLIMITE RCPT FOR SOCKET CONTACTS
 HI-DENSITY HDM-20 CONNECTOR SIZE 1 (9 POS)
 SERIES 109 WITH FLOAT BUSHINGS

SIZE: A2 CAGE CODE: 00779 DRAWING NO: 205416