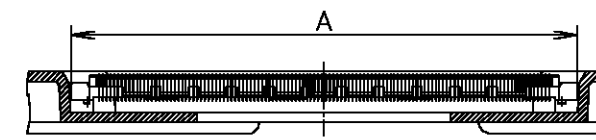
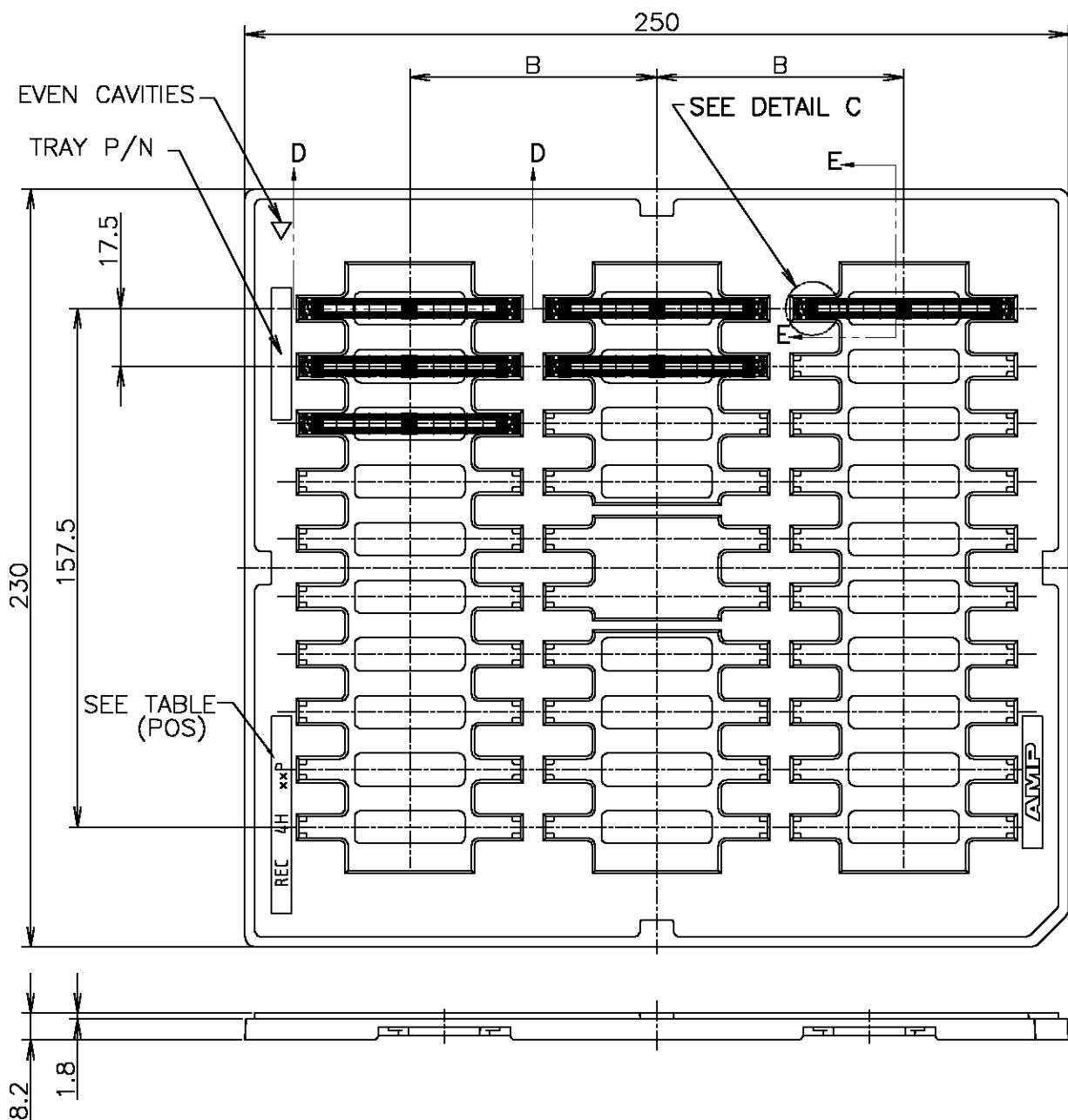


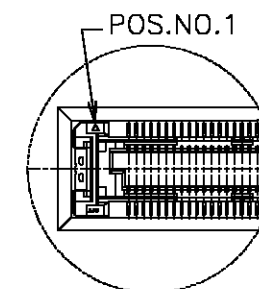
THIS DRAWING IS UNPUBLISHED. RELEASED FOR PUBLICATION ,2006.

© COPYRIGHT 2006 BY TYCO ELECTRONICS CORPORATION. ALL RIGHTS RESERVED.

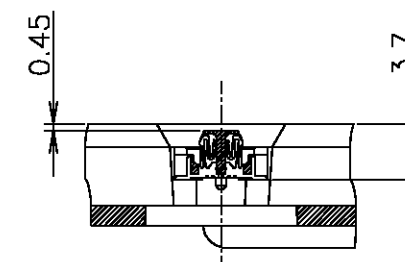
LOC	DIST	REVISIONS					
		P	LTR	DESCRIPTION	DATE	DWN	APVD
J		B		RELEASED	15DEC06	Y.N	Y.Y



SECT. D-D  
(SCALE 2:1)  
(CONNECTOR NOT SECTION)



DETAIL C  
(SCALE 2:1)



E-E  
(SCALE 2:1)

NO	3	30	75	61.8	220	3-1939755-6
SEALANT	ROW	QTY	B	A	POS.	PART NO.

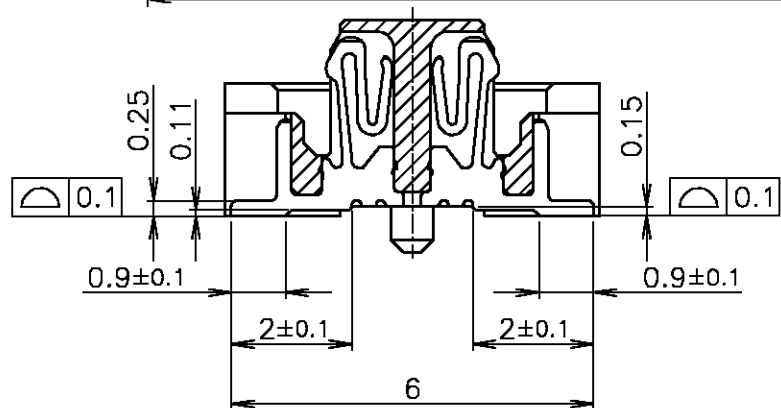
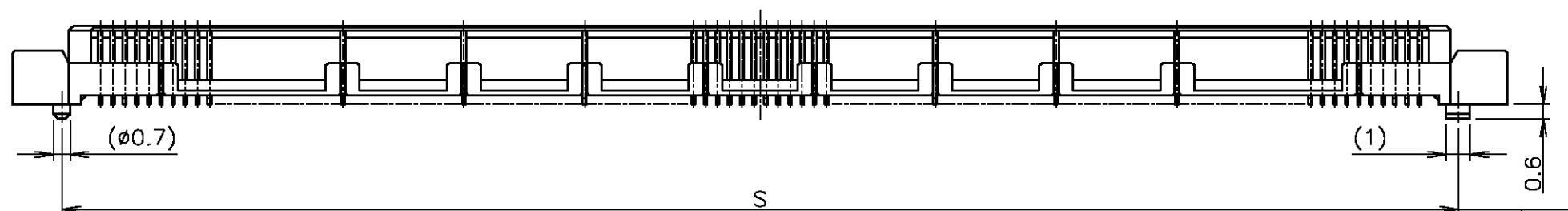
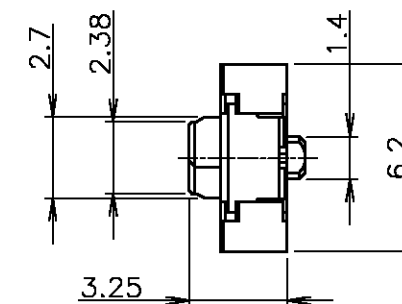
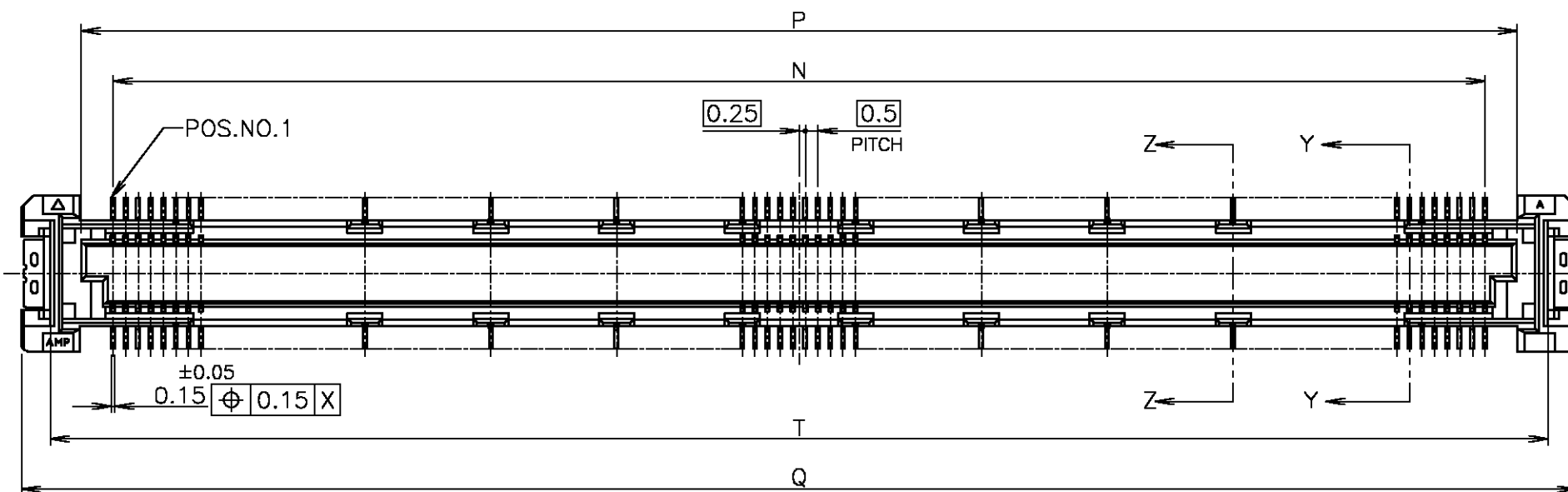
THIS DRAWING IS A CONTROLLED DOCUMENT.		DWN Y.NAKAZAWA 25JUL06	Tyco Electronics AMP K.K. Kawasaki, Japan															
DIMENSIONS: MM		CHK T.KUSUHARA 25JUL06																
TOLERANCES UNLESS OTHERWISE SPECIFIED:		APVD T.KUSUHARA 25JUL06	NAME HARD TRAY ASSY FH 0.5BTB CONNECTOR 220POS REC 4H WITH GROUND PLATE															
<table border="1"> <tr><td>0 PLC</td><td>± 0.3</td></tr> <tr><td>1 PLC</td><td>± 0.3</td></tr> <tr><td>2 PLC</td><td>± 0.3</td></tr> <tr><td>3 PLC</td><td>± 0.3</td></tr> <tr><td>4 PLC</td><td>± 0.3</td></tr> <tr><td>ANGLES</td><td>± 3°</td></tr> </table>		0 PLC	± 0.3	1 PLC	± 0.3	2 PLC	± 0.3	3 PLC	± 0.3	4 PLC	± 0.3	ANGLES	± 3°	PRODUCT SPEC 108-5560	SIZE A3			
0 PLC	± 0.3																	
1 PLC	± 0.3																	
2 PLC	± 0.3																	
3 PLC	± 0.3																	
4 PLC	± 0.3																	
ANGLES	± 3°																	
MATERIAL		APPLICATION SPEC	CAGE CODE 00779	DRAWING NO C-1939755	RESTRICTED TO													
FINISH		WEIGHT	CUSTOMER DRAWING		SCALE 1:2	SHEET 1 OF 3												
					REV B													

THIS DRAWING IS UNPUBLISHED.

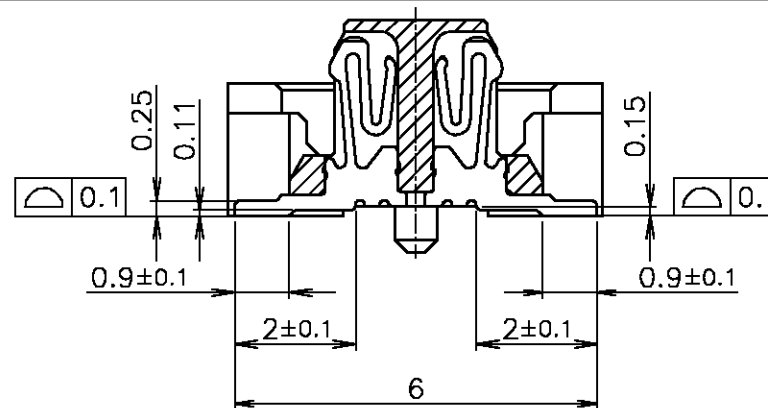
RELEASED FOR PUBLICATION ,2002.

© COPYRIGHT 2002 BY TYCO ELECTRONICS CORPORATION. ALL RIGHTS RESERVED.

LOC	DIST	REVISIONS					
J		P	LTR	DESCRIPTION	DATE	DWN	APVD
		-		SEE SHEET 1	-	-	-



SECT. Z-Z (GROUND POSITION) (SCALE 8:1)



SECT. Y-Y (SIGNAL POSITION) (SCALE 8:1)

59.5	57.7	61.8	57.1	54.5	220	BLACK	3-1939755-6
T	S	Q	P	N	POS.	HSG COLOR	PART NO.

THIS DRAWING IS A CONTROLLED DOCUMENT.		DWN	<b>tyco</b> Tyco Electronics AMP K.K. Kawasaki, Japan			
DIMENSIONS: MM		CHK				
TOLERANCES UNLESS OTHERWISE SPECIFIED:		APVD	NAME HARD TRAY ASSY FH 0.5BTB CONNECTOR 220POS REC 4H WITH GROUND PLATE			
0 PLC ± 0.3		PRODUCT SPEC				
1 PLC ± 0.3		APPLICATION SPEC	SIZE	CAGE CODE	DRAWING NO	RESTRICTED TO
2 PLC ± 0.3		WEIGHT	A3	00779	©-1939755	-
3 PLC ± 0.3		CUSTOMER DRAWING				
4 PLC ± 0.3		SCALE	4:1	SHEET	2 OF 3	REV
ANGLES ± 3		B				
FINISH						
MATERIAL						

