

# FH2 STACKABLE BLOCK FUSE HOLDER

for TAC® Style Blade Fuse Rated 58V

**RoHS**



## Specifications

Housing: Out of thermoplastic (UL 94-V0, heat-resistant)  
 Connections: Leaf spring connector systems, crimp contacts, copper alloy, tinned  
 Color: Black  
 Cover: Thermoplastic (transparent)

## Ordering Information

| Part Number   | Package Size |
|---------------|--------------|
| 178.4205.0002 | 1000         |
| 178.4215.0002 | 1000         |
| 178.6116.xxx1 | 200          |
| 178.6116.xxx2 | 1000         |
| 178.6125.0001 | 100          |
| 178.6125.0002 | 1000         |

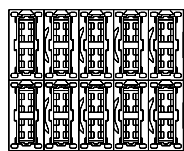
## Description

Blockholder for 42V PowerNet with coding for TAC® fuses-links. Attachable in X- and Y-direction. Rated voltage 58V; crimp terminals.

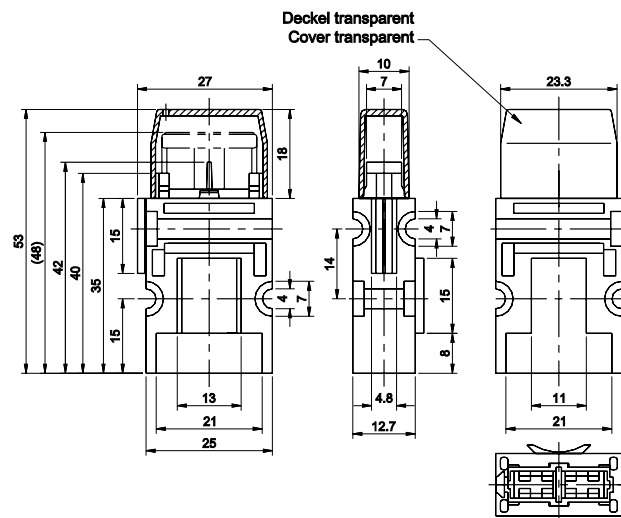
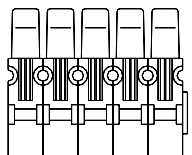
## Dimensions

Dimensions in mm

Chart for row-mounting



10er/pcs. Block



## Ratings

| Part Number   | Description                                 | Contact Temperature |
|---------------|---|---------------------|
| 178.4205.000_ | Complete with DFK 1.5 - 2.5 mm <sup>2</sup> | max. 130°C          |
| 178.4215.000_ | Housing                                     | —                   |
| 178.6125.000_ | Cover                                       | —                   |
| 178.6116.100_ | Complete with DFK 0.5 - 1.0 mm <sup>2</sup> | max. 130°C          |
| 178.6116.250_ | Contacts 1.5-2.5mm <sup>2</sup>             | max. 130°C          |
| 178.6116.600_ | Contacts 4.0-6.0mm <sup>2</sup>             | max. 130°C          |

# FH2 STACKABLE BLOCK FUSE HOLDER

for ATO® Style Blade Fuse Rated 80V

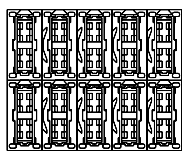
RoHS



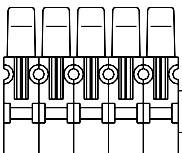
## Description

Blockholder for ATO / FKS size fuses-links. Attachable in X- and Y-direction. Rated voltage 80V; crimp terminals.

Chart for row-mounting



10er/pcs. Block



## Specifications

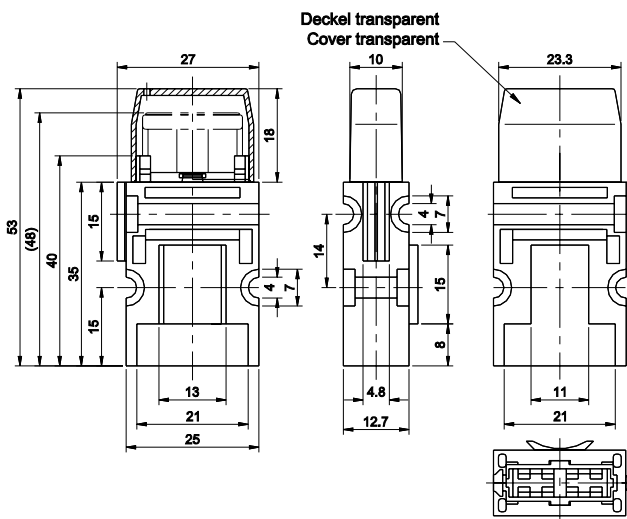
Housing: Out of thermoplastic (UL 94-V0, heat-resistant)  
 Connections: Leaf spring connector systems, crimp contacts, copper alloy, tinned  
 Color: Black  
 Cover: Thermoplastic (transparent)

## Ordering Information

| Part Number   | Package Size |
|---------------|--------------|
| 178.6105.0001 | 100          |
| 178.6105.0002 | 1000         |
| 178.6115.0001 | 100          |
| 178.6115.0002 | 1000         |

## Dimensions

Dimensions in mm



## Ratings

| Part Number   | Description                                 | Contact Temperature |
|---------------|---|---------------------|
| 178.6105.000_ | Complete with DFK 1.5 - 2.5 mm <sup>2</sup> | max. 130°C          |
| 178.6115.000_ | Housing                                     | -                   |
| 178.6125.000_ | Cover                                       | -                   |
| 178.6116.100_ | DFK-Kontakte 0.5-1.0mm <sup>2</sup>         | max. 130°C          |
| 178.6116.250_ | Contacts 1.5-2.5mm <sup>2</sup>             | max. 130°C          |
| 178.6116.600_ | Contacts 4.0-6.0mm <sup>2</sup>             | max. 130°C          |

Corresponding fuse links see Section "Blade Fuses."