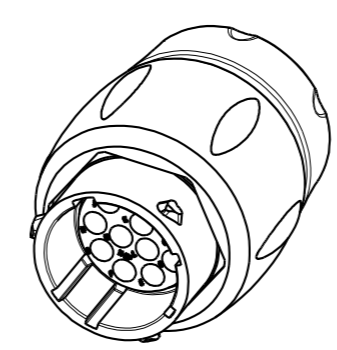


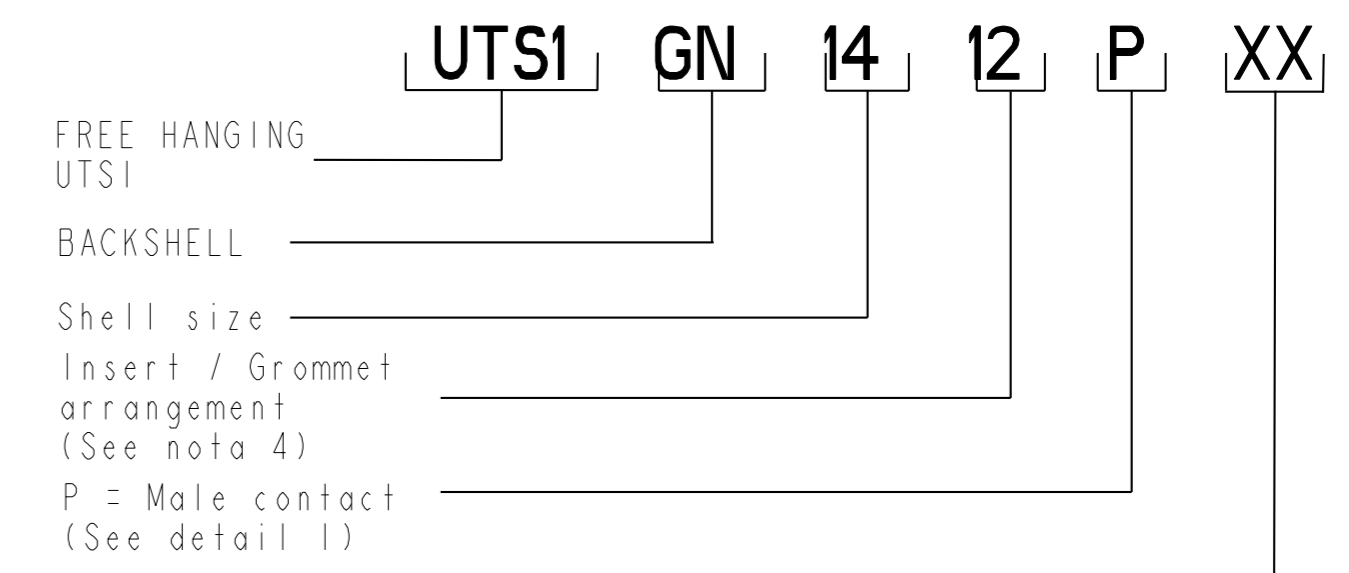
COUPE A-A
ECHELLE 4/1



MATERIAL :
 Shell: Polyamid UL94 V-0
 Insert: Polyamid UL94 V-0
 Seal gasket : Sealing IP68/69K : Silicone
 O'ring: nitril
 Backshell body : Polyamid UL94 V-0
 Backshell nut: Polyamid UL94 V-0
 Grommet : Silicone

PERFORMANCE CHARACTERISTICS :
 Operating temperature: -40°C up to 105°C
 Insulation resistance: 5000 MΩmin
 Test potential: 2000 Vrms for #16 layout and 1500Vrms for #20 layout
 Corrosion salt spray: 500 hours
 Durability: 250 matings and unmatings
 Sealing in mated conditions:
 -IP68 1 bar during 1 week : immersion under 10 m of water.
 (IEC 60529)
 -IP69K : exposure to high pressure water of cleaning
 equipment(DIN 40050)

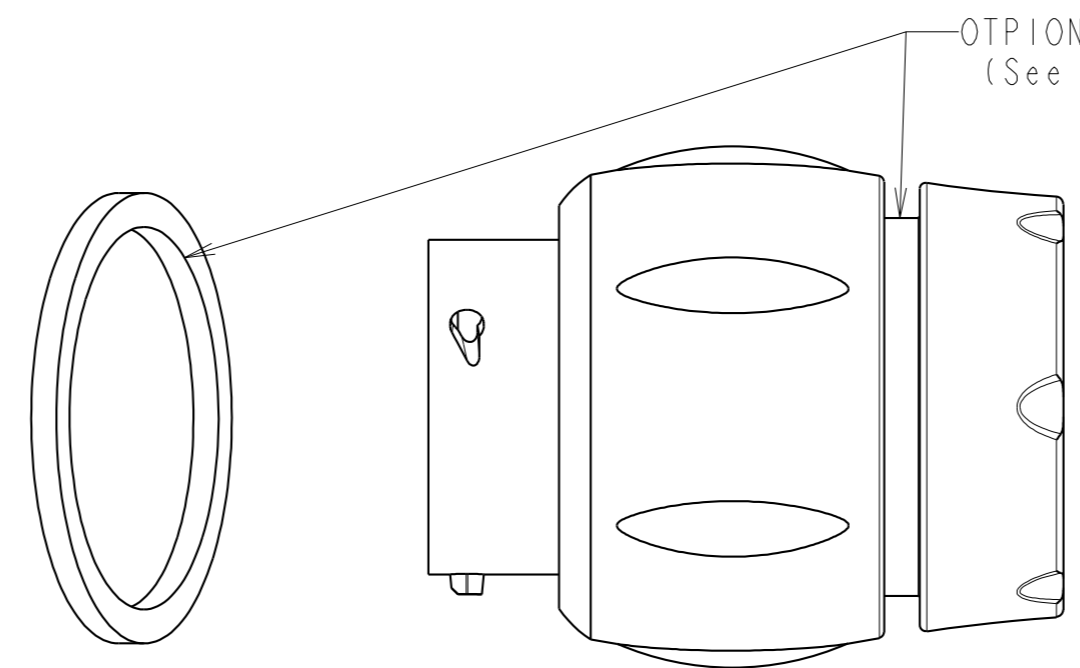
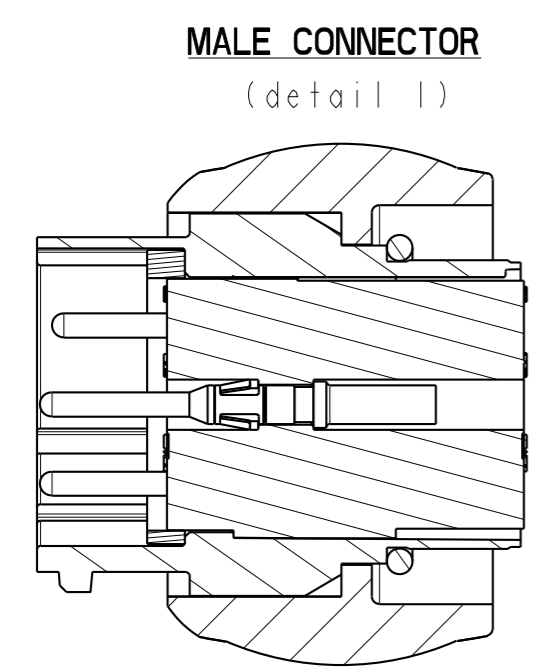
NOTES :
 -1-Free hanging and backshell are delivered as a kit
 -2-Contact to be ordered separately : refer to TRIM TRIO catalog
 -3-Colored ring to be orderd separately refer to customer drawing
 C006-UTSI-A
 -4-developed Grommet arrangements : refer to C042-UTSI-A



Specification _____

SHELL SIZE	LAYOUT	ØA±0.15	ØB±0.15	L MIN.
14	See note 4	22.20	34.60	43
12	See note 4	19	29.70	40.90
10	See note 4	14.9	26.20	40.90

CUSTOMER DRAWING



ECHELLE 2/1

b	11/03/08	--	Dimensionnal modifications	--
ISS	DATE	Latest modification - by: RAGAINÉ M.		MOD N°
Designed by: RAGAINÉ M.		Date: 12/02/08	CUSTOMER DRAWING	
TITLE		FREE HANGING+GROMMET+BACKSHELL NUT UTS CONNECTOR		
Scale	2/1	General linear Tolerances: ±0.1	NPRDS / PROJECT UTSI	
		WWW.SOURIAU.COM		This document is the property of SOURIAU. It must not be reproduced or communicated without permission.
FORMAT	A2	SOURIAU DRG N° C050-UTSI-A		SHEET
NOT EXPORT CONTROLLED				