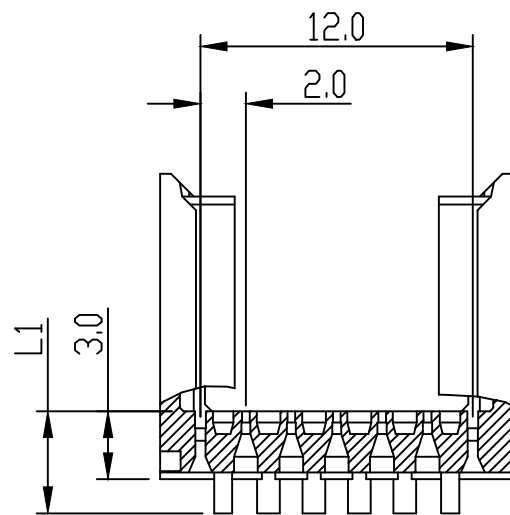
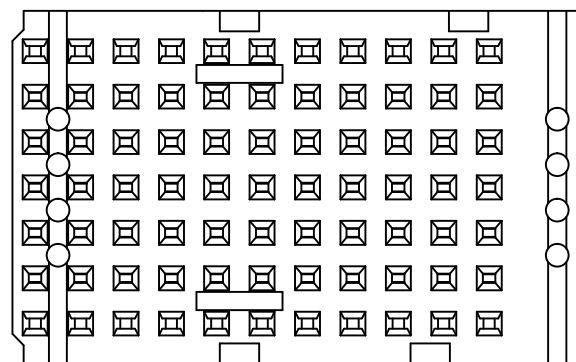


SECTION B-B
SCALE 3:1



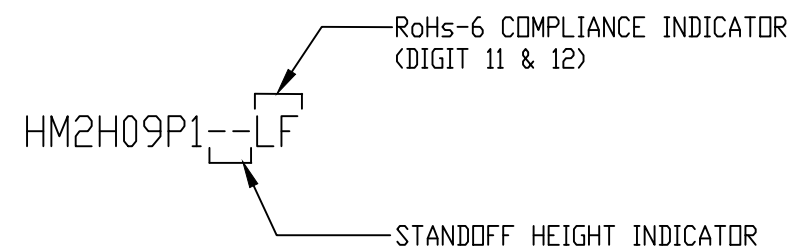
SECTION C-C




ABRIDGED
CAT No
MARKED

NOTES:

1. MEASURED AT THE BOTTOM
2. MATERIAL : GLASS REINFORCED POLYESTER UL94-V0
3. THIS PRODUCT MEETS EUROPEAN UNION DIRECTIVES AND OTHER COUNTRY REGULATIONS AS DESCRIBED IN GS-47-0004
4. PARTS WITH AND WITHOUT SUFFIX LF TO THE PRODUCT PART NUMBER ARE IDENTICAL IN FORM , FIT AND FUNCTION LF SUFFIX IS ADDED TO THE PART NUMBER OF THIS PRODUCT TO HAVE UNIFORM IDENTIFICATION OF ALL RoHs COMPATIBLE PRODUCTS



CAT. NO.	L1	L2	
HM2H09P1LF	3.0	13.45	AVAILABLE
HM2H09P109LF	3.9	14.35	AVAILABLE
HM2H09P111LF	4.1	14.55	AVAILABLE
HM2H09P113LF	4.3	14.75	AVAILABLE
HM2H09P115LF	4.5	14.95	AVAILABLE
HM2H09P117LF	4.7	15.15	AVAILABLE
HM2H09P119LF	4.9	15.35	AVAILABLE
HM2H09P122LF	5.2	15.65	AVAILABLE
HM2H09P130LF	6.0	16.45	AVAILABLE

mat'l. code		surface ISO 1302		tolerance ISO 406 ISO 1101		projection MM		product family MILLIPACS	
ltr		ecn no		dr		date		tolerances unless otherwise specified	
B	105-0241	AB	2005-11-22	angles	linear	.0±0.2		title MPACS 5+2 ROW SHROUD STR HDR (TYPE-C) (11 POS)	
C	106-0091	AB	2006-06-26	0°±1°		.00±0.1			
D	106-0096	VV	2006-07-04			scale -		 dwg no BS, C ,201630, 031 sheet 1 of 1 size A3 type Product Customer Drawing	
E	ELX-I-18259	AKA	2014-07-09	dr	ALEX BABU	2008-12-16			
				enr	ALEX BABU	2008-12-16			
				chr	BIJU K PAUL	2008-12-16			
				appd	BIJU K PAUL	2008-12-16			
sheet index	revision sheet	E	1						