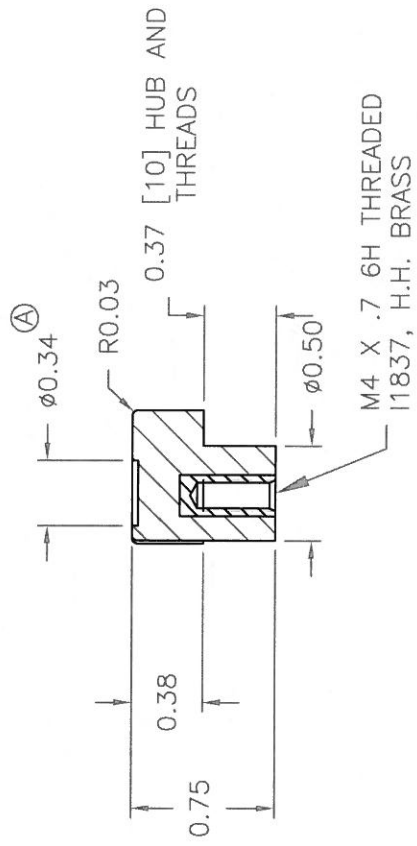
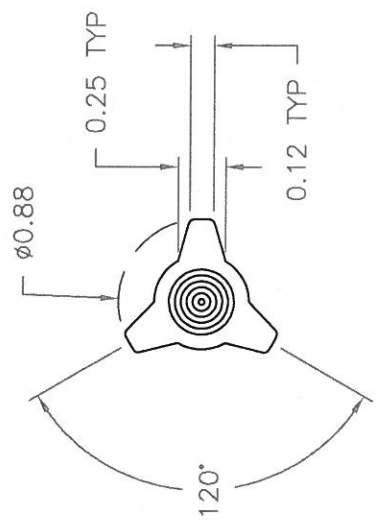


P/N	3022BE
M.No.	1475
CAVITY	3022
PLUNGER	3022
PLUNGER PIN	3022
OUTER PIN	3025-B
INNER PIN	3025HN
SHIMS	.250+.250+.047
PIN BAR	1475
INSERT	11837
PLUNGER KEY	1/4x1/4x7/16
CAVITY KEY	1/4x1/4x1/2

DESIGNERS & MANUFACTURERS
OF KNOBS, HANDLES, CASES &
CUSTOM PLASTIC COMPONENTS



PART NAME: KNOB SCALE: 1:1 DATE: 5/30/17 DR. BY JD
THIS DRAWING IS THE PROPERTY OF DAVIES MOLDING COMPANY. IS SUBMITTED SOLELY AS A DESIGN OR ENGINEERING PROJECT.
WE ACCEPT NO RESPONSIBILITY WHATSOEVER FOR THE PRACTICAL APPLICATION OF THE PIECES MADE TO THIS DESIGN.



MATERIAL: G.P. PHENOLIC (B11)
COLOR: BLACK

TOLERANCES: UNLESS OTHERWISE SPECIFIED	DO NOT SCALE DRAWING	
DECIMALS: X.XXX ± .005 X.XX ± .015	MM: X.XX ± 0.15MM X.X ± 0.4MM	
FRACTIONS ± 1/64	ANG. ± 1°	
		CHANGES