



T H E R M O M E T R I C S
A C O M M I T M E N T T O E X C E L L E N C E

Inline Flow-Through Fluid Temperature Sensor



The inline flow-through temperature sensor monitors the temperature of a fluid that passes through it. A system control module receives this temperature reading and uses a control loop to control the overall system temperature. This could be engine temperature, heater temperature, industrial supply temperature, etc.

Applications

- Engine Coolant Temperature
- Battery Pack Coolant Line Temperature
- Process Flow Management
- HVAC Water Management
- Home Appliances

Features

- High Sensitivity
- Wide Application Range
- Compact Design
- SAE J-1231 Interface
- USCAR Sealed Connection System
- Available in 3 standard hose sizes



Amphenol
Advanced Sensors

Inline Flow-Through Fluid Temperature Sensor Specifications

Operating Temperature

-40°C to 120°C (-40°F to 248°F)

Storage Temperature

-40°C to 120°C (-40°F to 248°F)

R @ 77°F (25°C)

10 KΩ ± 1.5%

Beta (25/85)°C

3977 K

Housing Material

Polyamide 6/6

Color: black

Weight

GE-2102 ~8g

GE-1935 ~14g

GE-2103 ~26g

Mating Connector

Molex 31403-2100 without CPA Lock

Molex 31403-2110 with CPA Lock

Mechanical

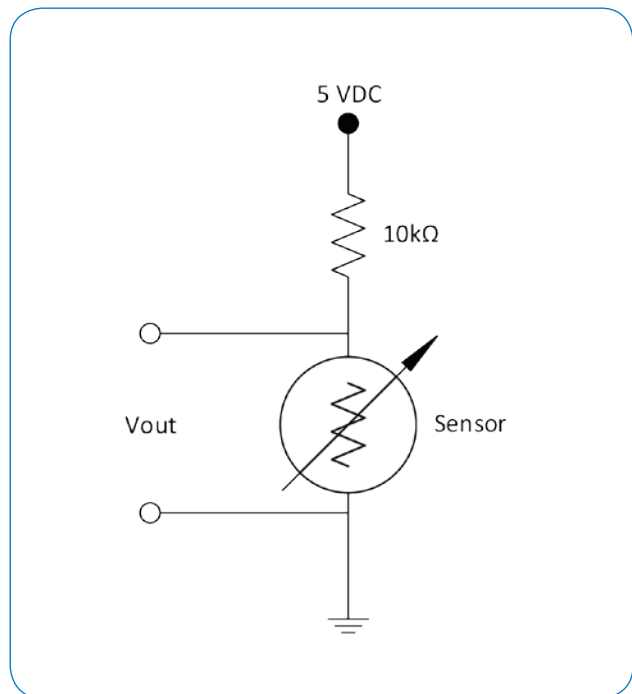
Part No.	Hose Size (in)	SAE J1231 Hose Dash Size
GE-2102	1/2"	-8
GE-1935	3/4"	-12
GE-2103	1 1/4"	-20

Thermistor Material System

Material 1

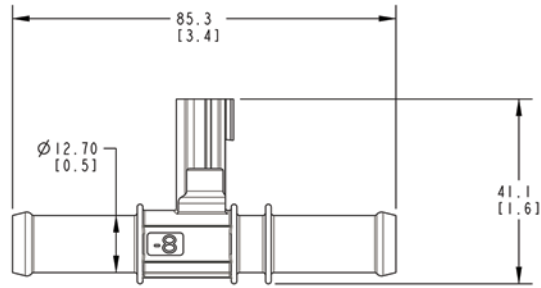
RvT Table			
Temp. (°C)	Resistance (Ω)	Resistance Tolerance (+ %)	Temp. Tolerance (+°C)
-40	332776	5.95	0.5
-20	96481	4.24	0.5
0	32566	2.71	0.4
20	12486	1.72	0.4
25	10000	1.50	0.3
40	5331	2.11	0.5
60	2490	2.84	0.6
85	1071	3.58	0.8
100	678.1	5.56	1.0
120	338.2	7.00	1.2

Typical Circuit Diagram

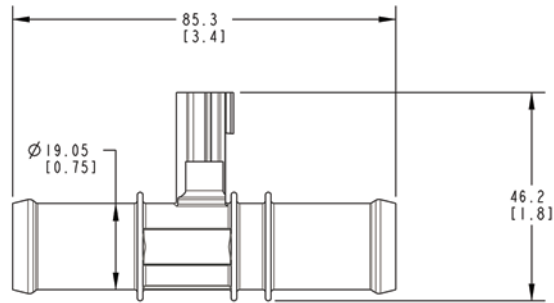


Inline Flow-Through Fluid Temperature Sensor Dimensions

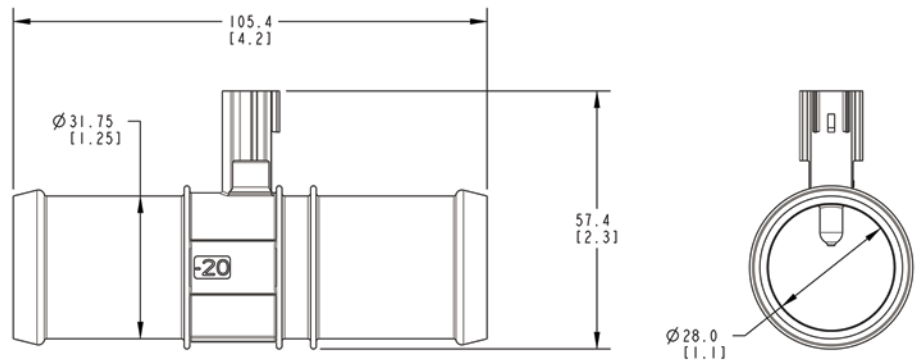
GE-2102
-8, 1/2" HOSE



GE-1935
-12, 3/4" HOSE



GE-2103
-20, 1 1/4" HOSE



Dimensions are in MM (IN)

Dimensions shown are for envelope size, contact Product Engineering for detailed drawings.

Typical Application



Amphenol
Advanced Sensors

www.amphenol-sensors.com

© 2017 Amphenol Corporation. All Rights Reserved. Specifications are subject to change without notice.

AAS-920-657D - 06/2017

Mouser Electronics

Authorized Distributor

Click to View Pricing, Inventory, Delivery & Lifecycle Information:

[Amphenol:](#)

[GE-1935](#) [GE-2103](#) [GE-2102](#)