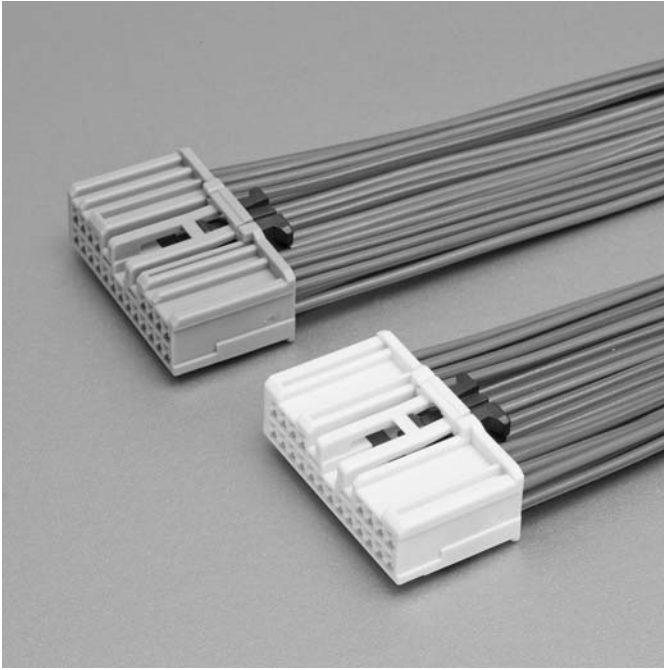
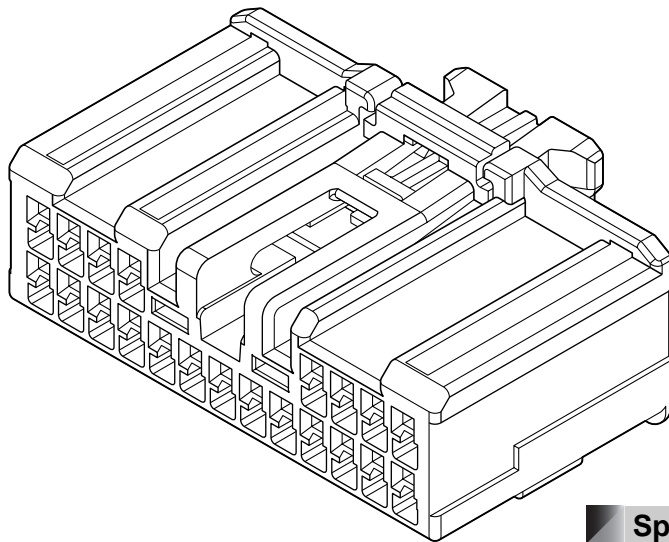


ATLC CONNECTOR

Board-to-wire



21 Circuits 0.64 Unsealed Connector system with CPA.
Ultra low profile design.



Features

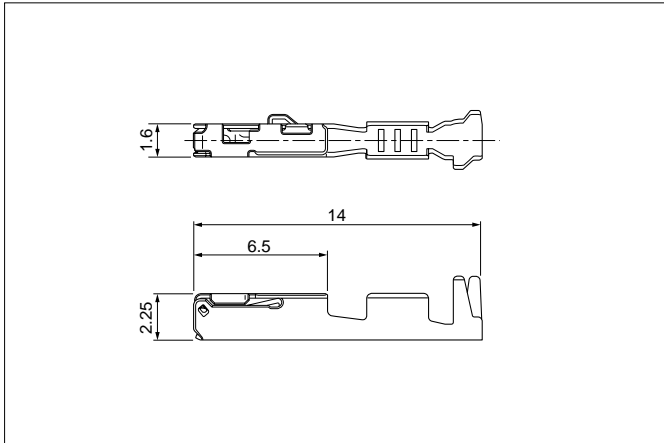
- 21 circuits: 0.64 Unsealed Connector
- CPA (Connector Position Assurance) Design
- Key option is available.
- High Temperature Resistance

Specifications

- Current rating: 5 A AC, DC max.
- Voltage rating: 14 V AC, DC
- Temperature range: -40°C to +125°C
(including temperature rise in applying electrical current)
- Contact resistance: Initial value/ 15 mΩ max.
After environmental tests/ 15 mΩ max.
- Insulation resistance: 100 MΩ min.
- Withstanding voltage: 1,000 VAC/minute
- Applicable wire: FLR2X
0.35 mm² to 0.75 mm²

- * Compliant with ELV/RoHS2.
- * Contact JST for details.

Female terminal

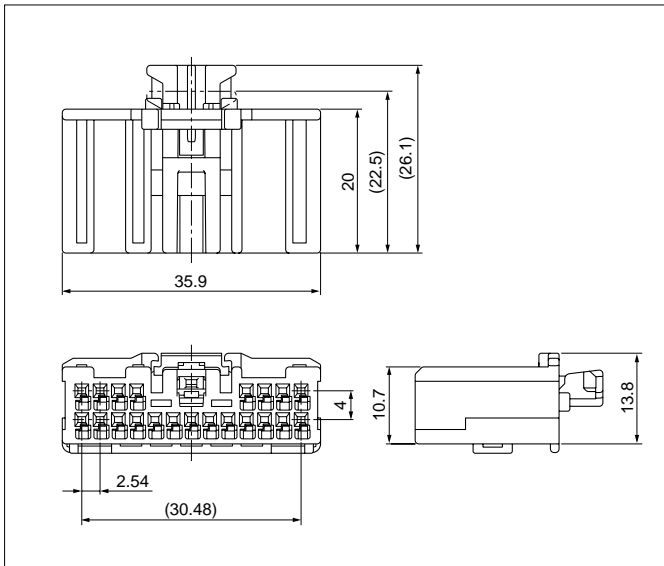


Model No.	Applicable wire range		Q'ty/reel
	Conductor (mm ²)	Insulation O.D. (mm)	
①SAIT-A03T-M064	0.35 to 0.5	≤1.9	6,500
①SAIT-A02T-M064	0.75	≤1.9	6,500
②SAIT-A03GF-M064	0.35 to 0.5	≤1.9	6,500
②SAIT-A02GF-M064	0.75	≤1.9	6,500

Material and Finish

copper alloy, tin-plated (reflow treatment)
whopper alloy, nickel-undercoated, Contact area; gold-plated
Barrel area; tin-plated

Female connector



Circuits	Model No.	Q'ty/box	Housing Color	TPA and CPA Color
21	ATLCPB-21B-2AY	1,500	Yellow	Black
	ATLCPB-21B-2BH	1,500	Gray	Natural

Material and Finish

Housing: PBT
TPA: Glass-filled PBT
CPA: Glass-filled PBT

Crimping machine, Applicator

Strip terminal	Crimping machine	Crimp applicator MKS-L	
		Dies	Crimp applicator with dies
SAIT-A03()-M064	AP-K2N	MK/SAIT-A03-064	APLMK SAIT-A03-064
SAIT-A02()-M064		MK/SAIT-A02-064	APLMK SAIT-A02-064

Note: When crimping operation is conducted using an applicator and die set other than the above, JST cannot guarantee the performance of the terminal.

Mouser Electronics

Authorized Distributor

Click to View Pricing, Inventory, Delivery & Lifecycle Information:

JST:

[ATLCPB-21-2AY](#) [ATLCPB-21-2BH](#) [ATLCPB-21B-2AY](#) [ATLCPB-21B-2BH](#)