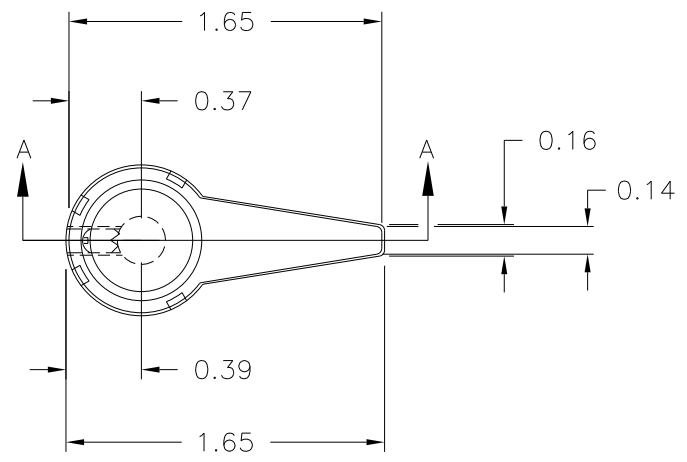


PART NAME: KNOB SCALE: 1:1 DATE: 1/21/71 DR. BY NH

DAVIES MOLDING COMPANY
CAROL STREAM, ILLINOIS 60188

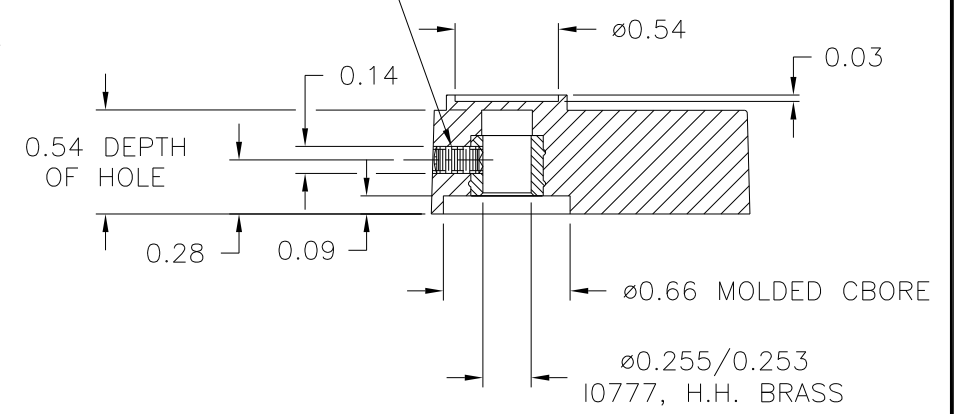
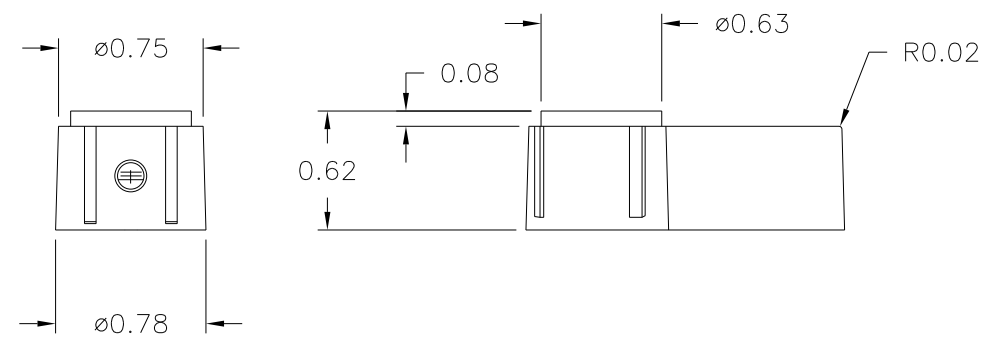
| | |
|------------|---------|
| P/N 1214-A | |
| BASE PART | 1214-02 |
| INSERT | I0777 |
| SET SCREW | I0357 |

THIS DRAWING IS THE PROPERTY OF DAVIES MOLDING COMPANY, IS SUBMITTED SOLELY AS A DESIGN OR ENGINEERING PROJECT. WE ACCEPT NO RESPONSIBILITY WHATSOEVER FOR THE PRACTICAL APPLICATION OF THE PIECES MADE TO THIS DESIGN.



USE #28 DRILL ($\phi 0.140/0.136$)
8-32 TAP, 8-32 THREAD X 1/4
LG. SLOTTED TYPE SET SCREW
I0357 (1) REQ'D

SECTION A-A



MATERIAL: G.P. PHENOLIC (B11)
COLOR: BLACK

| | | | | |
|---|--|---|---------------------|-------------|
| TOLERANCES: UNLESS OTHERWISE SPECIFIED | DO NOT SCALE DRAWING | | | |
| DECIMALS: X.XXX \pm .005 X.XX \pm .015 | MM: X.XX \pm 0.15MM X.X \pm 0.4MM | - | UPDATED/HAD TOOLBOX | JAM 5/16/00 |
| FRACTIONS \pm 1/64 | ANG. \pm 1° | - | CAD/REDRAWN | HD 10/26/93 |
| CHANGES | | | | |