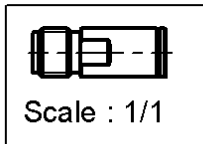
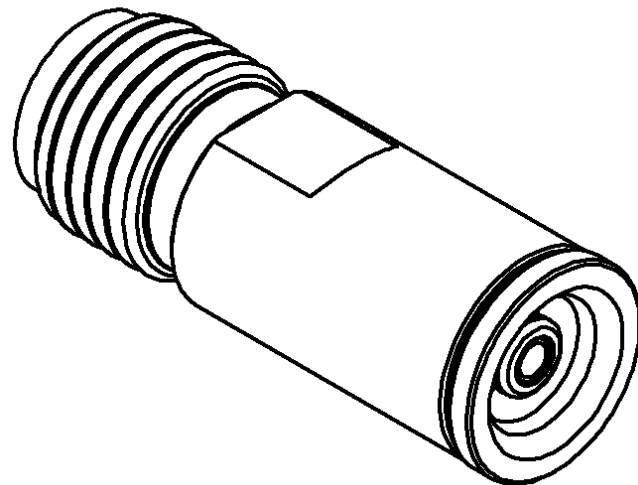
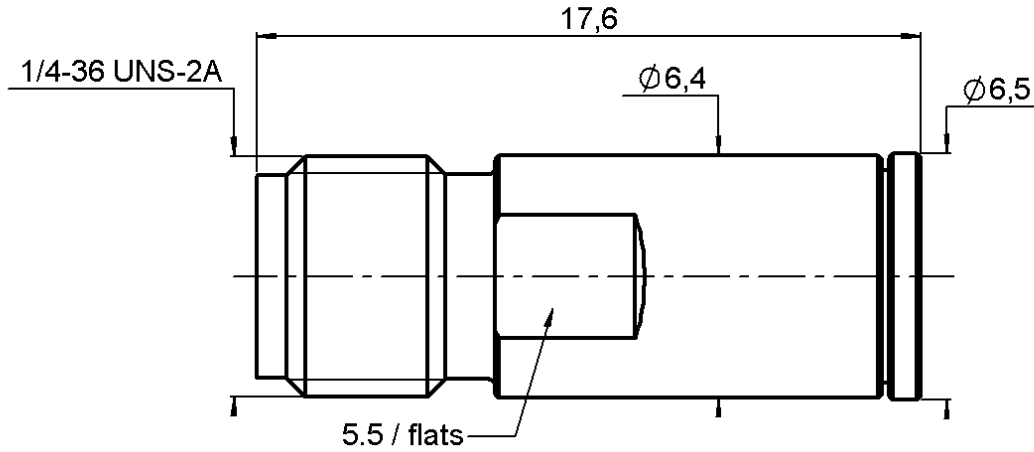


SMA FEMALE-MMBX FEMALE STRAIGHT ADAPTER

**R191.389.400**

Série : ADAPT



All dimensions are in mm.



COMPONENTS	MATERIALS	PLATING (µm)
BODY	BRASS	GOLD 0.2 OVER NON MAGN NICKEL 2
CENTER CONTACT	BERYLLIUM COPPER	GOLD 1.3 OVER NICKEL 2
OUTER CONTACT	-	-
INSULATOR	LIQUID CRISTAL POLYMER ,PTFE	-
GASKET	-	-
OTHERS PARTS	-	-
-	-	-
-	-	-

Issue : 0623 A

In the effort to improve our products, we reserve the rights to make changes judged to be necessary.



**SMA FEMALE-MMBX FEMALE STRAIGHT ADAPTER**

**R191.389.400**

Série : ADAPT

**PACKAGING**

**SPECIFICATION**

Standard	Unit	Other
	<b>'W' option</b>	<b>Contact us</b>

**ELECTRICAL CHARACTERISTICS**

Impedance		<b>50</b> Ω
Frequency		<b>0-12.4</b> GHz
VSWR	<b>1.083</b> +	<b>0,0000</b> x F(GHz) Maxi
Insertion loss		<b>0.12</b> √F(GHz) dB Maxi
RF leakage	- (	<b>100</b> - F(GHz)) dB Maxi
Voltage rating		<b>330</b> Veff Maxi
Dielectric withstanding voltage		<b>500</b> Veff mini
Insulation resistance		<b>1000</b> MΩ mini

**ENVIRONMENTAL**

Operating	<b>-55/+155°</b> °C
Hermetic seal	<b>NA</b> Atm.cm3/s
Panel leakage	<b>NA</b>

**MECHANICAL CHARACTERISTICS**

Center contact retention	
Axial force – Mating end	<b>10</b> N mini
Axial force – Opposite end	<b>10</b> N mini
Torque	<b>NA</b> N.cm mini
Recommended torque	
Mating	<b>0</b> N.cm
	<b>0</b> N.cm
	<b>0</b> N.cm
Panel nut	<b>NA</b> N.cm
Mating life	<b>500</b> Cycles mini
Weight	<b>2,7300</b> g

**OTHER CHARACTERISTICS**

to 6 GHz  
Interface MMBX only up to 2.5GHz

Issue : 0623 A

In the effort to improve our products, we reserve the rights to make changes judged to be necessary.

