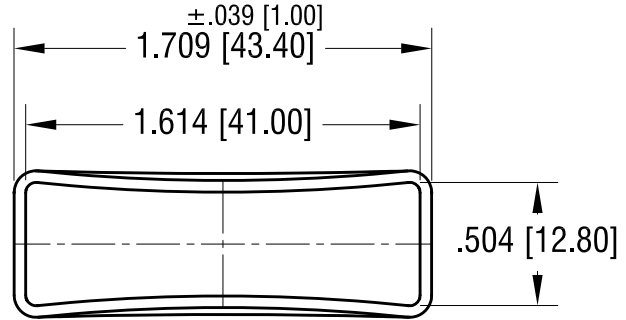
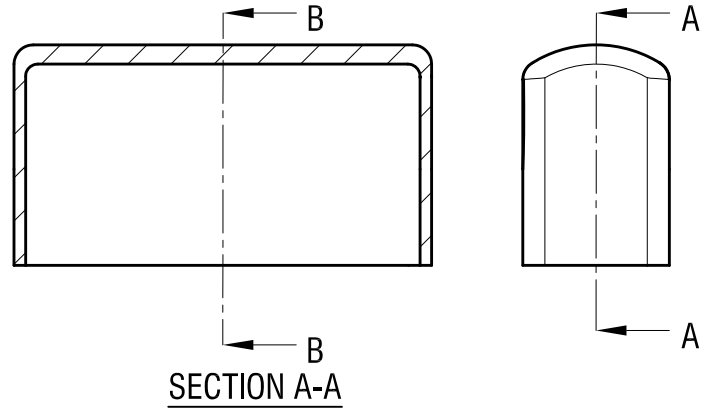
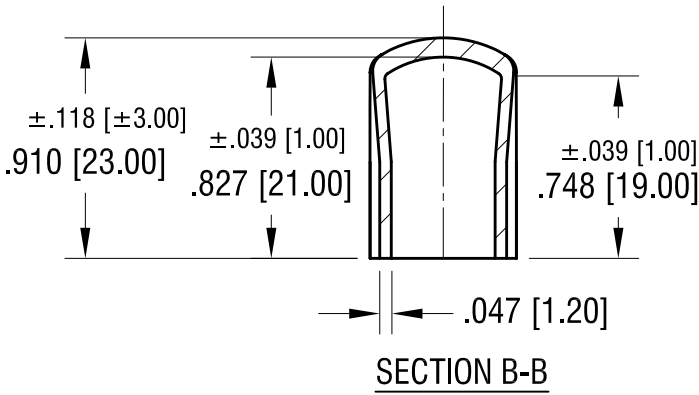
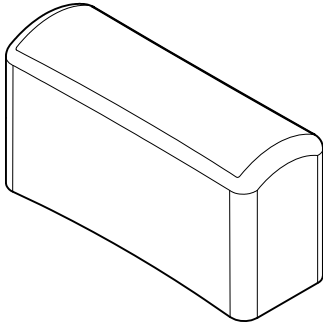


ACTUAL SIZE

THIS DOCUMENT IS THE PROPERTY OF
KEYSTONE ELECTRONICS CORP. AND
SHALL NOT BE REPRODUCED, DISTRIBUTED
OR USED AS A BASIS FOR MANUFACTURE
WITHOUT PRIOR WRITTEN PERMISSION
FROM KEYSTONE ELECTRONICS CORP.



1.10.18	CHANGE AS PER ECN 18-004	A
DATE	DESCRIPTION	REV.

KEYSTONE ELECTRONICS CORP.			
www.keyelco.com • NEW HYDE PARK, NY 11040 • Tel (516) 328-7500			
PART NAME			
3AG FUSE HOLDER COVER			
MATERIAL			
PVC UL 94-0			
FINISH		DRN BY	DATE
NONE		LARRY	12.03.10
		APP'D	SCALE
		LN	1.2X
TOLERANCES	INCH [MM]	CODE	DWG NO.
DECIMAL	± .012 [± 0.30]	C	3566C
ANGULAR	± 1°		
UNLESS OTHERWISE SPECIFIED			