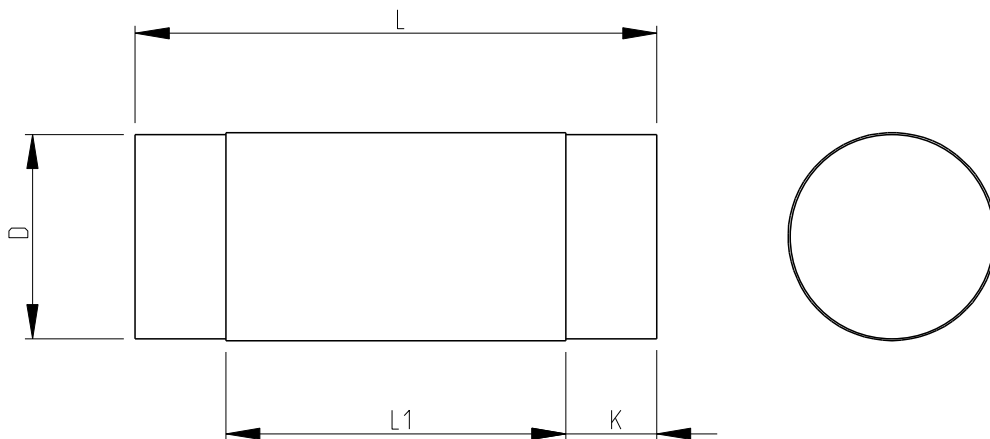
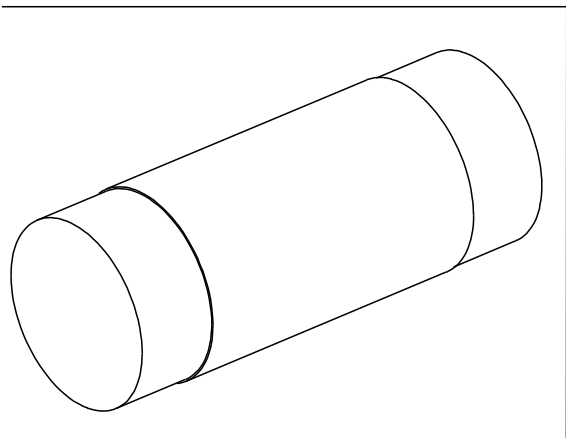


LOC	DIST	REVISIONS					
E	B	P	LTR	DESCRIPTION	DATE	DWN	APVD
		BA		NEW RELEASE	05MAY2010	PT	St.P

FOR FURTHER INFORMATION SEE DATA SHEET OF SMA-SERIES MELF RESISTORS



RoHS Compliant



Codes	L	∅D	K	L1 Min
0204	3.45±0.1	1.35±0.1	0.6±0.1	2.00
0207	5.90±0.1	2.20±0.1	1.0±0.1	3.40

2008
RELEASED FOR PUBLICATION

ALL RIGHTS RESERVED.

THIS DRAWING IS UNPUBLISHED.
© COPYRIGHT 2008

DIMENSIONS: mm		DWN PARUSURAM.T 05MAY2010	MATERIAL -	FINISH -			
TOLERANCES UNLESS OTHERWISE SPECIFIED:		CHK SUBHASH.M 05MAY2010					
0 PLC ±0.2 1 PLC ±0.1 2 PLC ± 3 PLC ± 4 PLC ± ANGLES ±5°		APVD STEPHEN.P 05MAY2010					
		PRODUCT SPEC -	NAME MELF RESISTORS SMA SERIES				
		APPLICATION SPEC -	SIZE A 4	CAGE CODE 00779	DRAWING NO C=1879283	RESTRICTED TO -	
		WEIGHT -	CUSTOMER DRAWING		SCALE 40:1	SHEET 1 OF 1	REV BA