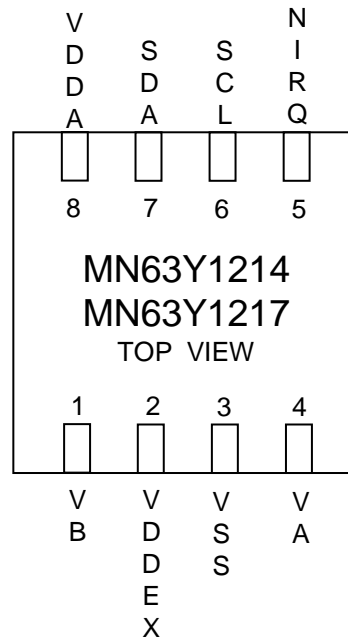


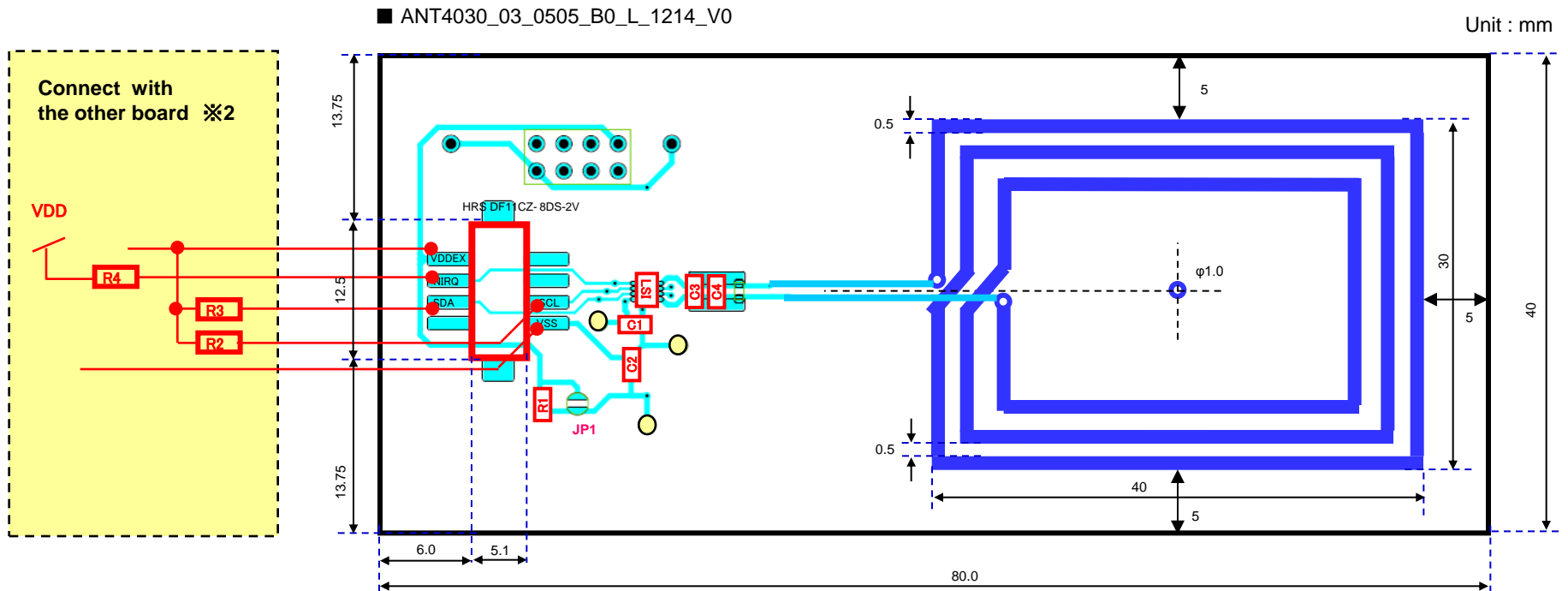
**Evaluation board circuit diagram  
and implementation  
MN63Y1214/1217**

Ver. 1.1  
Aug. 19, 2014

Sensing Systems Development Center  
Semiconductor Business Unit  
Panasonic Semiconductor Solutions Co.,Ltd.



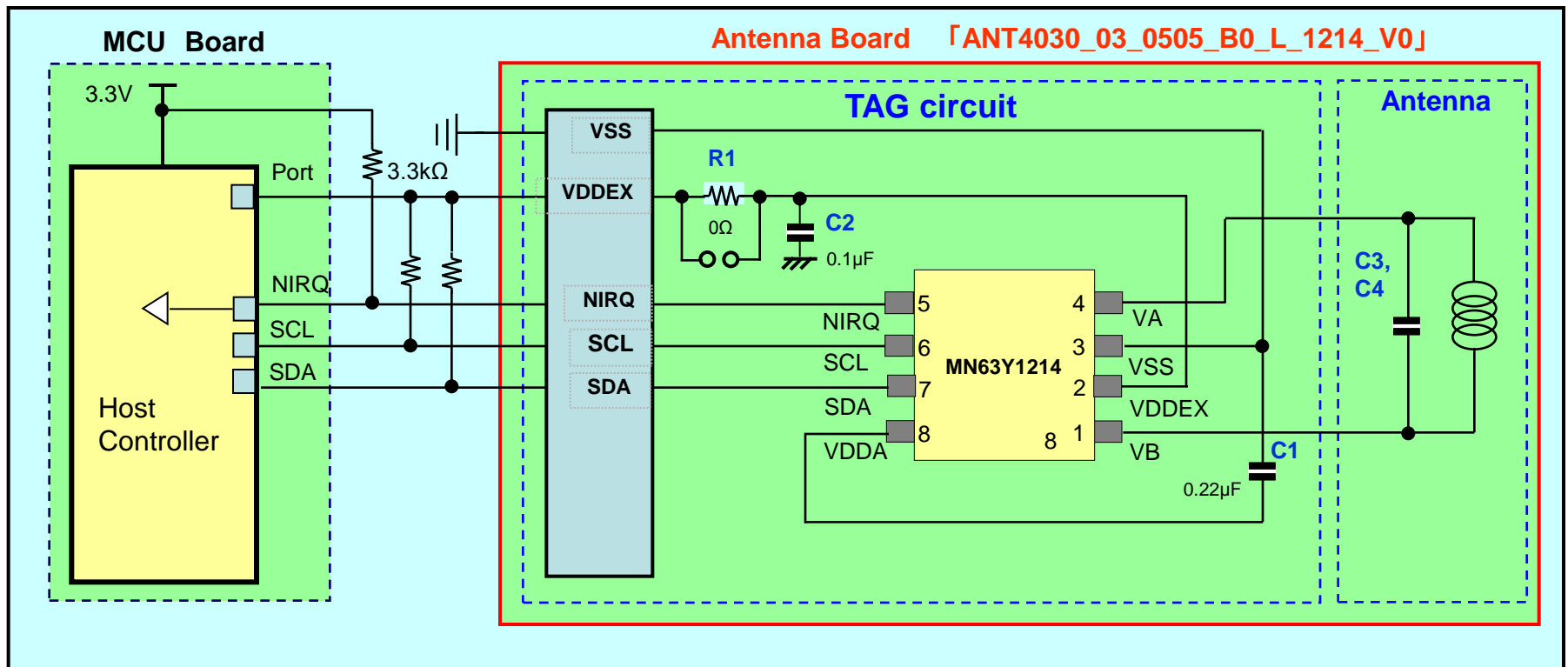
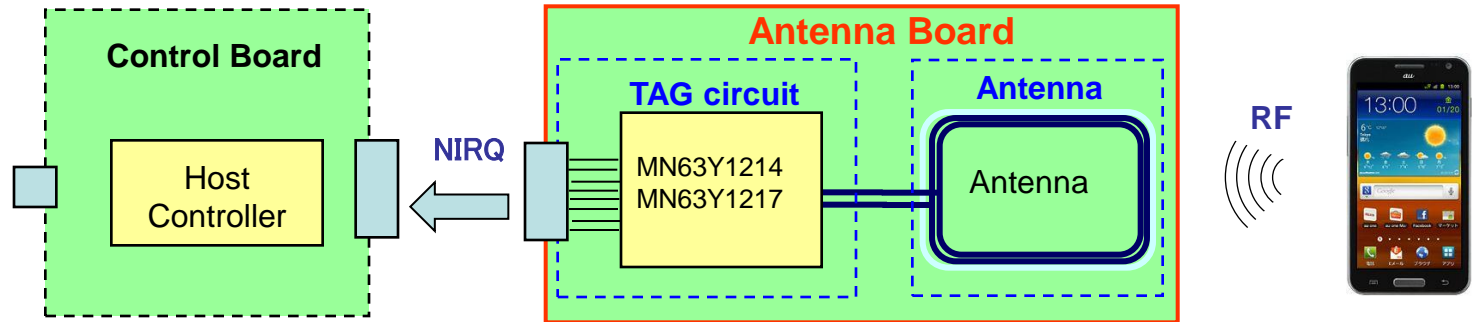
Pin No.	Name	Input/Output	IO type	function
1	VB	I/O	---	Coil terminal
2	VDDEX	---	Power	External Power Supply
3	VSS	---	GND	Ground
4	VA	I/O	---	Coil terminal
5	NIRQ	Output	Open Drain	USE : Pull up to VDDEX NOT USE : Open or Connect to Ground
6	SCL	Input	---	I2C Clock input
7	SDA	I/O	Open Drain	I2C Data input/output. Pull up to VDDEX
8	VDDA	---	Power	Internal analog power supply (Connect a capacitor between this pin and VSS shortest as possible.)



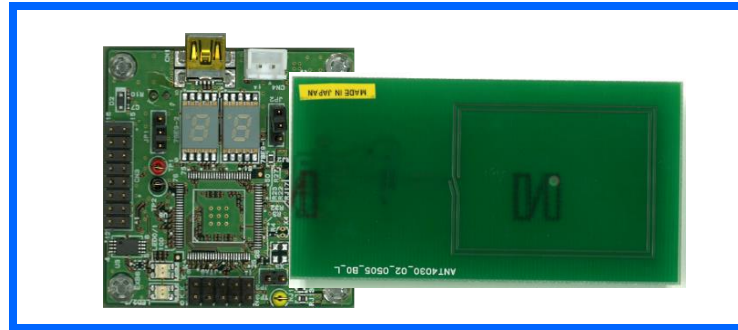
- ※ Substrate size may differ from the substrate which exists to a visitor.  
 ※ I connect pulling up resistance (R2,R3,R4) to the microcomputer board of our offer.

External parts	Recommended Value	Detail explanation
R2,R3	3.3kΩ	These are pull up resistor for I2C signal lines. Please choose the value considering data speed, parasitic capacitance of signal lines, and current drive performance. In our NFC tag board " ANT4030_03_0505_B0_L_1214_V0 " it is not implemented.
R4	3.3kΩ	This is pull up resistor for interrupt signal lines. Please choose the value considering data speed, parasitic capacitance of signal lines, and current drive performance. In our NFC tag board " ANT4030_03_0505_B0_L_1214_V0 " it is not implemented.
C1 C2	0.22μF 0.1μF	It is a fixed value at the capacity between the power supply for operation stabilization of the tag LSI. C1 is connected to VDDA, and C2 is connected to VDDEX.
C3, C4	-	It is Resonance capacity. The optimal values differ for every antenna design. It is connected VA to VB. In our NFC tag board " ANT4030_03_0505_B0_L_1214_V0 ", capacity C3=150pF, the C4=22pF has been implemented.
R1	-	In our NFC tag board " ANT4030_03_0505_B0_L_1214_V0 ", the resistance of R1=0Ω has been implemented.

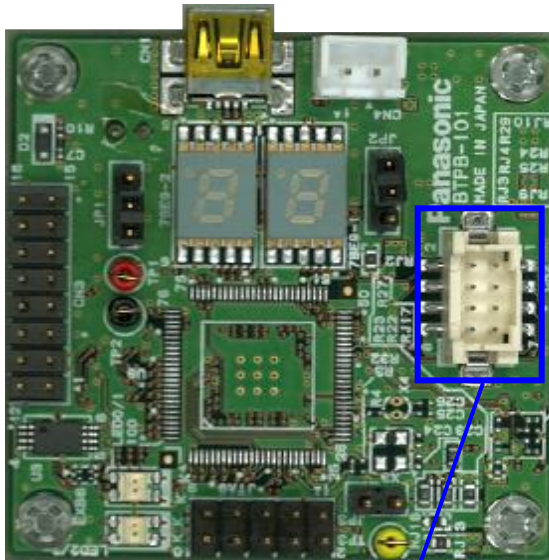
## NFC tag system constitution



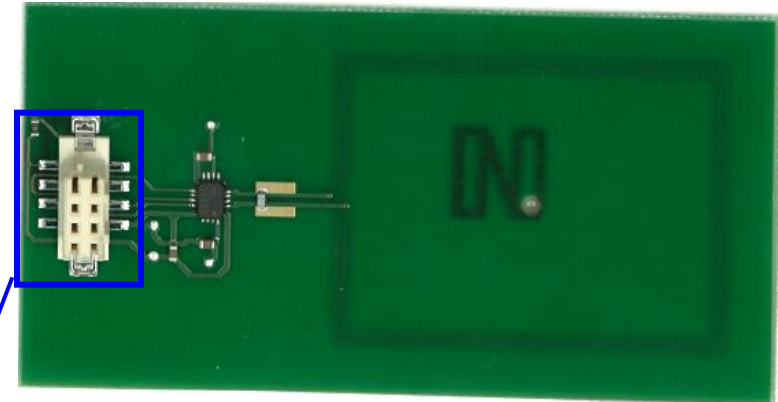
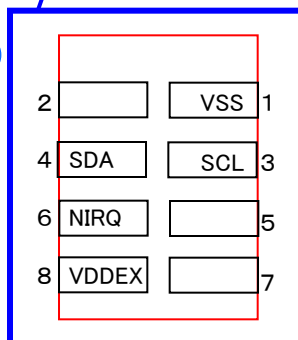
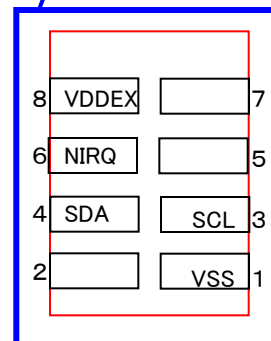
## Connection image (Top view)



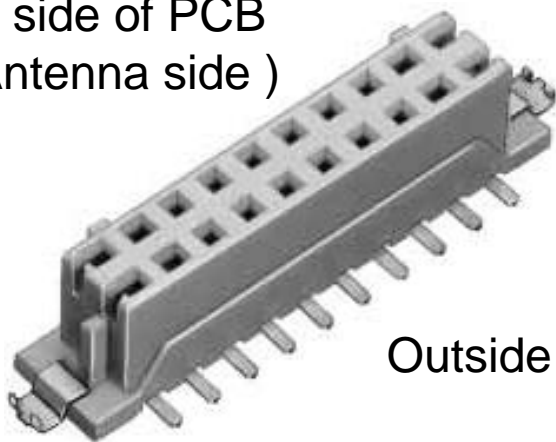
Micon board [BTPB-101B]



Antenna board [ANT4030\_03\_0505\_B0\_L\_1214\_V0]

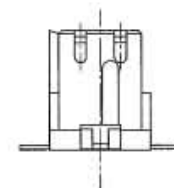
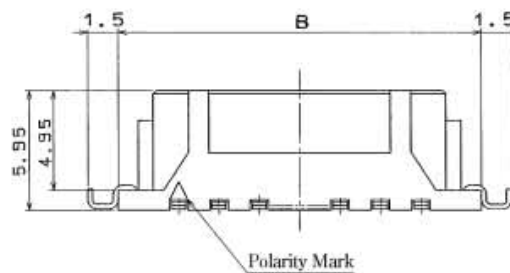
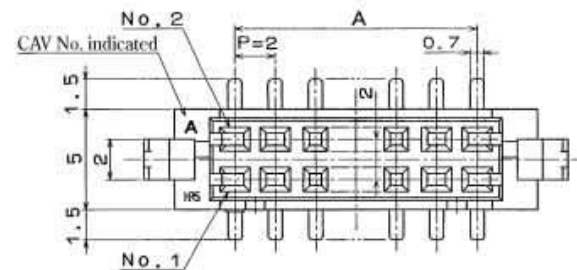
DF11CZ-8DP-2V(27)  
( Hirose Electric )HRS DF11CZ- 8DS-2V  
( Hirose Electric )

In side of PCB  
( Antenna side )



Outside of PCB

※Figure is an example



## Request for your special attention and precautions in using the technical information and semiconductors described in this book

- (1) If any of the products or technical information described in this book is to be exported or provided to non-residents, the laws and regulations of the exporting country, especially, those with regard to security export control, must be observed.
- (2) The technical information described in this book is intended only to show the main characteristics and application circuit examples of the products. No license is granted in and to any intellectual property right or other right owned by Panasonic Corporation or any other company. Therefore, no responsibility is assumed by our company as to the infringement upon any such right owned by any other company which may arise as a result of the use of technical information described in this book.
- (3) The products described in this book are intended to be used for general applications (such as office equipment, communications equipment, measuring instruments and household appliances), or for specific applications as expressly stated in this book. Consult our sales staff in advance for information on the following applications:
  - Special applications (such as for airplanes, aerospace, automotive equipment, traffic signaling equipment, combustion equipment, life support systems and safety devices) in which exceptional quality and reliability are required, or if the failure or malfunction of the products may directly jeopardize life or harm the human body.It is to be understood that our company shall not be held responsible for any damage incurred as a result of or in connection with your using the products described in this book for any special application, unless our company agrees to your using the products in this book for any special application.
- (4) The products and product specifications described in this book are subject to change without notice for modification and/or improvement. At the final stage of your design, purchasing, or use of the products, therefore, ask for the most up-to-date Product Standards in advance to make sure that the latest specifications satisfy your requirements.
- (5) When designing your equipment, comply with the range of absolute maximum rating and the guaranteed operating conditions (operating power supply voltage and operating environment etc.). Especially, please be careful not to exceed the range of absolute maximum rating on the transient state, such as power-on, power-off and mode-switching. Otherwise, we will not be liable for any defect which may arise later in your equipment.

Even when the products are used within the guaranteed values, take into the consideration of incidence of break down and failure mode, possible to occur to semiconductor products. Measures on the systems such as redundant design, arresting the spread of fire or preventing glitch are recommended in order to prevent physical injury, fire, social damages, for example, by using the products.
- (6) Comply with the instructions for use in order to prevent breakdown and characteristics change due to external factors (ESD, EOS, thermal stress and mechanical stress) at the time of handling, mounting or at customer's process. When using products for which damp-proof packing is required, satisfy the conditions, such as shelf life and the elapsed time since first opening the packages.
- (7) This book may be not reprinted or reproduced whether wholly or partially, without the prior written permission of our company.

20100202

If you have any inquiries or questions about this book or our semiconductor products, please contact our sales division.

# Mouser Electronics

Authorized Distributor

Click to View Pricing, Inventory, Delivery & Lifecycle Information:

Panasonic:

[NFC-TAG-MN63Y1214\\_4030](#)