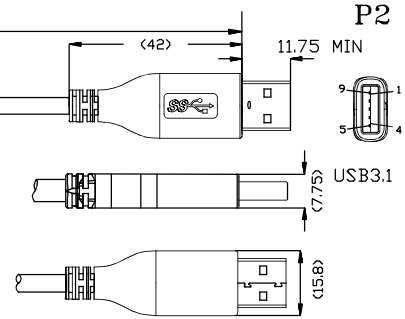


P1			P2	
USB 3.1 C MALE			USB 3.0 A FEMALE	
PIN	SIGNAL NAME	WIRE COLOR	PIN	SIGNAL NAME
A1,B1, A12,B12	GND	BLACK	4 7	GND GND_DRAIN
A4,B4, A9,B9	VBUS	RED	1	VBUS
A5	CC	-	-	-
B5	VCONN	-	-	-
A6	Dp1	GREEN	3	D+
A7	Dn1	WHITE	2	D-
A2	SSTXp1	YELLOW	9	StdA_SSRX+
A3	SSTXn1	BLUE	8	StdA_SSRX-
B11	SSRXp1	ORANGE	6	StdA_SSTX+
B10	SSRXn1	PURPLE	5	StdA_SSTX-
SHELL	SHIELD	BRAID	SHELL	SHIELD



TECHNICAL CHARACTERISTICS

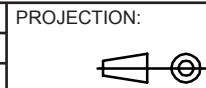
MATERIAL
 FLAMMABILITY RATING: UL94-V0
 COLOR: BLACK
 CONTACT MATERIAL: BRONZE
 CONTACT PLATING: GOLD
 QUALITY CLASS: 1 500 MATING CYCLES

ELECTRICAL
 CONTACT RESISTANCE: 5 Ω MAX

MECHANICAL
 INSERTION FORCE: 35.0N MAX
 EXTRACTION FORCE: 10.0N MIN

PACKAGING
 BAG

RoHS Compliant			
G			
F			
E			
D			
C			
B			
A	18-JUN-15	PDF	AK
REV	DATE	FILE	BY



GENERAL TOLERANCE
 .X = ± 0.2
 .XX = ± 0.15



APPROVAL: NPr

UNIT: MM
 SCALE:
 SHEET: 1/2
 DRAW: AK

DESCRIPTION: CABLE USB 3.1 C MALE TO USB 3.1 A MALE
 WERI PART NO: 632 910 731 131

SIZE
A4

1

2

3

4

5

Cautions and Warnings:

This electronic component is designed and developed with the intention for use in general electronics equipments.

Before incorporating the components into any equipments in the field such as aerospace, aviation, nuclear control, submarine, transportation, (automotive control, train control, ship control), transportation signal, disaster prevention, medical, public information network etc. where higher safety and reliability are especially required or if there is possibility of direct damage or injury to human body, Würth Elektronik must be asked for a written approval.

In addition, even electronic component in general electronic equipments, when used in electrical circuits that require high safety, reliability functions or performance, the sufficient reliability evaluation-check for the safety must be performed before by the user before usage.

A

B

C

RoHS Compliant

G				PROJECTION: 	GENERAL TOLERANCE .X = +/- 0.2 .XX = +/- 0.15		
F							
E							
D							
C				APPROVAL: JC	UNIT: MM	DESCRIPTION: DISCLAIMER	SIZE A4
B					SCALE:		
A	10-SEP-14	PDF	QL		SHEET: 2/2	WERI PART NO: DISCLAIMER	
REV	DATE	FILE	BY		DRAW: QL		

D