

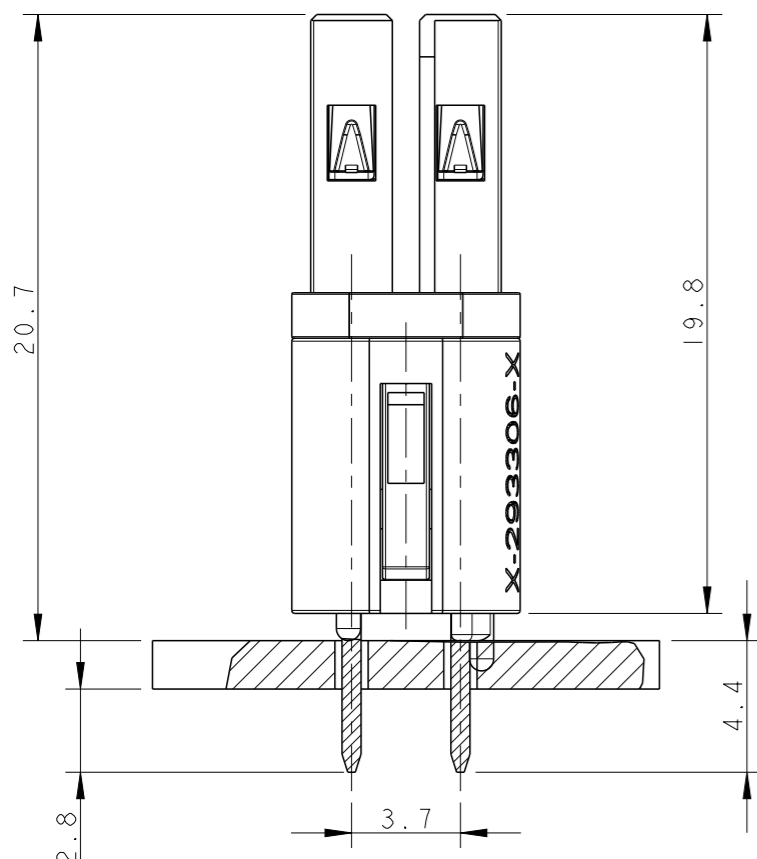
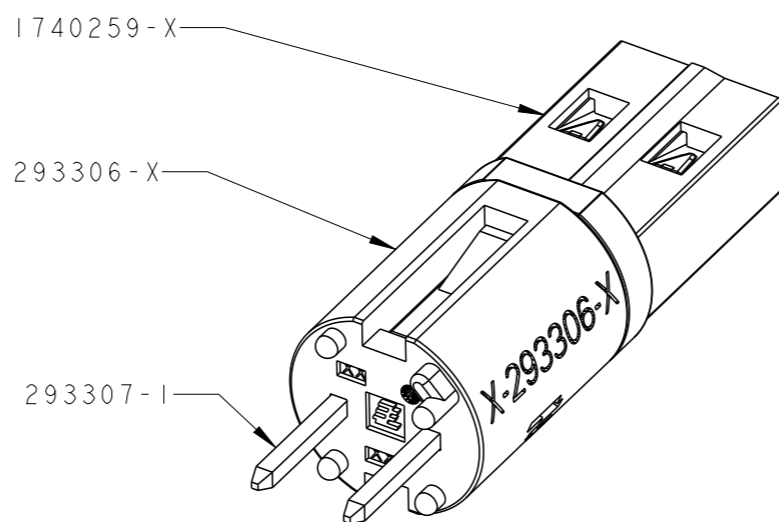
LOC
AL

DIST
2

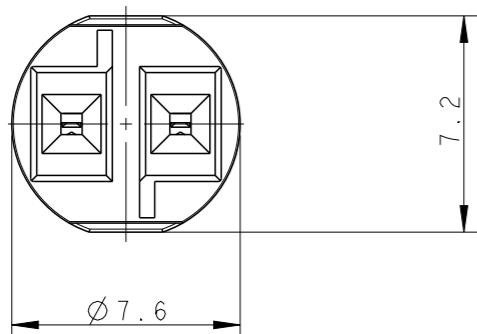
REVISIONS

P	LTR	DESCRIPTION	DATE	DWN	APVD
D1		ADDED COMPONENT PART NUMBERS	10NOV2009	AV	GT
D2		UPDATED VIEW SCALE	23FEB2010	AV	GT
D4		REVISED MARKS ON -5 WAS MARKED AC	17OCT2011	AV	GT
D4		REVISED PER ECR-13-009678	18SEP2013	RS	DD

TYPICAL APPLICATION

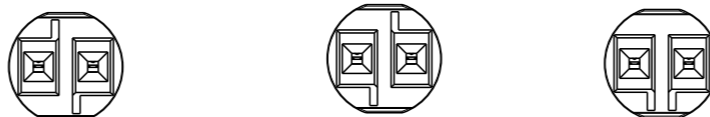


SECTION B-B
SCALE 4:1



HIGH VOLTAGE

KEYING HV-1 KEYING HV-2 KEYING HV-3



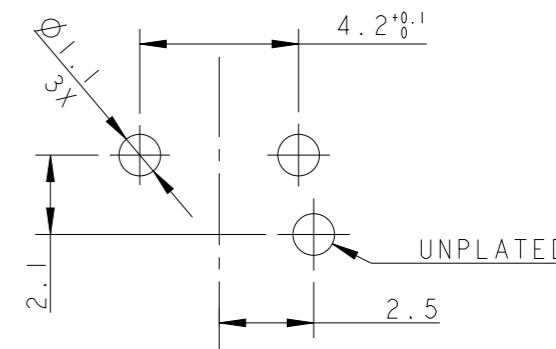
LOW VOLTAGE

KEYING LV-1 KEYING LV-2



PRINTED CIRCUIT BOARD LAYOUT
FOR LOW VOLTAGE VERSION

TOLERANCES UNLESS OTHERWISE SPECIFIED ± 0.05
PRINTED CIRCUIT BOARD THICKNESS: 1.6 mm NOMINAL

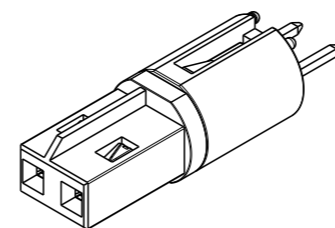
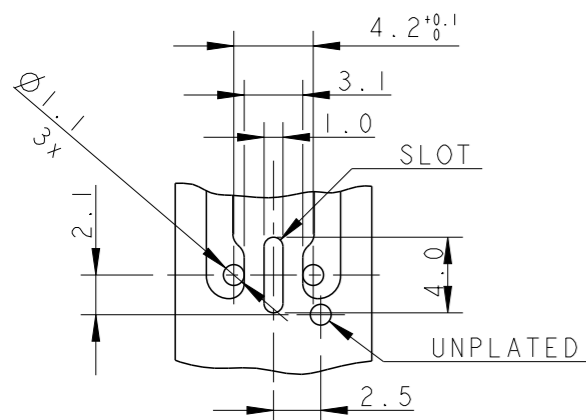


MATERIALS:

- 1) CONTACTS: SOLDERING SIDE TIN PLATED Ph. BRONZE
- RECEPTACLE IN SPECIAL ALLOY COPPER TIN PLATED
- HOUSING: PA66 GFF25 UL 94 V0

PRINTED CIRCUIT BOARD LAYOUT
FOR HIGH VOLTAGE VERSION

TOLERANCES UNLESS OTHERWISE SPECIFIED ± 0.05
PRINTED CIRCUIT BOARD THICKNESS: 1.6 mm NOMINAL



THIS DRAWING IS A CONTROLLED DOCUMENT.

DWN R. FRABONI 15JUN2007

CHK -

APVD G. TURCO

PRODUCT SPEC 108-94018

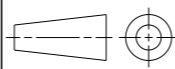
APPLICATION SPEC 114-32102

WEIGHT -

CUSTOMER DRAWING

DIMENSIONS:
mm

TOLERANCES UNLESS OTHERWISE SPECIFIED:



0 PLC	±
1 PLC	±0.5
2 PLC	±0.3
3 PLC	±
4 PLC	±
ANGLES	±0.5°
FINISH	-

LV-2	LOW-VOLT 42 V DC	293308-6	D	YELLOW
LV-1	LOW-VOLT 42 V DC	293308-5	D	LIGHT GREY
HV-2	SWITCH MAX 7A	293308-4	D	RED
HV-3	HIGH-VOLT 125 V AC	293308-3	D	BLUE
HV-1	HIGH-VOLT 250 V AC	293308-2	D	BLACK
HV-1	HIGH-VOLT 250 V AC	293308-1	D	WHITE
KEYING	REMARKS	PART NUMBER	REV	COLOR

STE TE Connectivity

NAME
7,5 mm PCB CONNECTOR ASSEMBLY
STRAIGHT FEMALE VERSION

SIZE CAGE CODE DRAWING NO RESTRICTED TO

A300779 C-293308

SCALE 5:1 SHEET 1 OF 1 REV D4