

4

3

2

1

THIS DRAWING IS UNPUBLISHED. RELEASED FOR PUBLICATION 2008

© COPYRIGHT 2008 - ALL RIGHTS RESERVED.

LOC	DIST	REVISIONS			
P	LTR	DESCRIPTION	DATE	DWN	APVD
	BA1	REVISED PER ECO-11-005150	29MAR2011	RK	HMR

FOR FURTHER INFORMATION SEE DATA SHEET FOR
SERIES RGP- METAL GLAZE FIXED RESISTORS

D

D

C

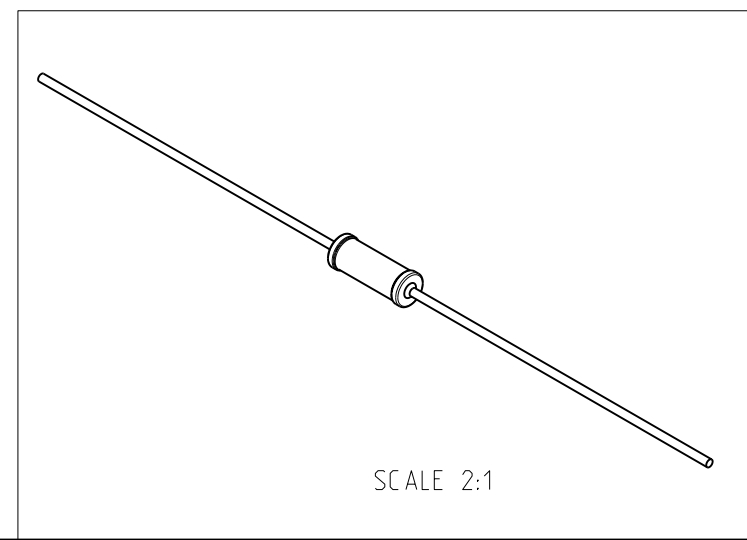
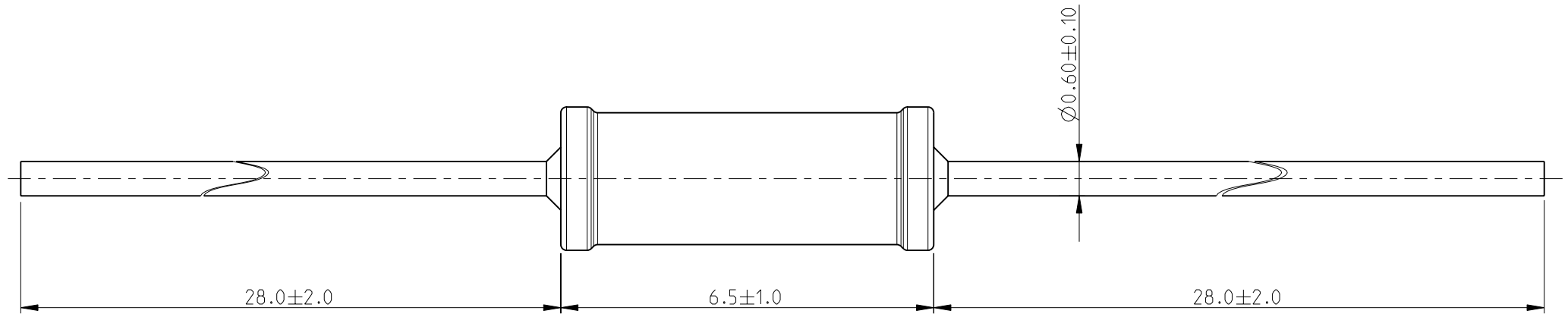
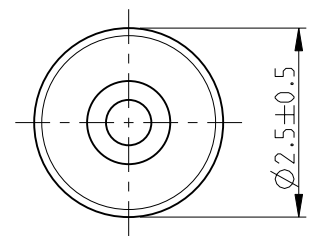
C


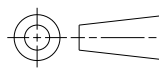
B

B

A

A



THIS DRAWING IS A CONTROLLED DOCUMENT.		DWN	22-DEC-08		 TE Connectivity
DIMENSIONS:		CHK	22-DEC-08		
mm		APVD	22-DEC-08		
		NAME	STEPHEN.P		
TOLERANCES UNLESS OTHERWISE SPECIFIED:		PRODUCT SPEC	METAL GLAZE FIXED RESISTORS		
0 PLC	± 0.2	APPLICATION SPEC	STYLE RGP0207CH		
1 PLC	± 0.1	WEIGHT	SIZE	CAGE CODE	DRAWING NO
2 PLC	± -		A3	00779	1623708
3 PLC	± -		RESTRICTED TO		
4 PLC	± -		-		
ANGLES	± 5°		SCALE 10:1 SHEET 1 OF 1 REV BA1		
MATERIAL	-	FINISH	CUSTOMER DRAWING		