

PLEASE CHECK WWW.MOLEX.COM FOR LATEST PART INFORMATION

Part Number: [0850031548](#)
Status: **Active**
Overview: [din_41612](#)
Description: 2.54mm (.100") Pitch DIN 41612 Header, Style C, Right Angle, Through Hole, 0.6µm (24µ") Selective Gold (Au), 96 Circuits, Lead free

Documents:

[3D Model](#) [Product Specification PS-85003-0001 \(PDF\)](#)
[Drawing \(PDF\)](#) [RoHS Certificate of Compliance \(PDF\)](#)

Agency Certification

CSA LR19980
 UL E29179

General

Product Family Backplane Connectors
 Series [85003](#)
 Application Daughtercard
 Component Type PCB Header
 Overview [din_41612](#)
 Product Name IEC 603-2/DIN 41612
 Style C

Physical

Circuits (Loaded) 96
 Circuits (maximum) 96
 Durability (mating cycles max) 400
 First Mate / Last Break Yes
 Flammability 94V-0
 Guide to Mating Part No
 Keying to Mating Part Yes
 Number of Columns 16
 Number of Pairs Open Pin Field
 Number of Rows 3
 Orientation Right Angle
 PC Tail Length (in) 0.118 In
 PC Tail Length (mm) 3.00 mm
 PCB Locator No
 PCB Retention Yes
 PCB Thickness Recommended (in) 0.062 In
 PCB Thickness Recommended (mm) 1.60 mm
 Packaging Type Tray
 Pitch - Mating Interface (in) 0.100 In
 Pitch - Mating Interface (mm) 2.54 mm
 Pitch - Term. Interface (in) 0.100 In
 Pitch - Term. Interface (mm) 2.54 mm
 Polarized to PCB Yes
 Stackable No
 Temperature Range - Operating -55°C to +125°C
 Termination Interface: Style Through Hole

Electrical

Current - Maximum per Contact 1A
 Data Rate 622.0 Mbps
 Voltage - Maximum 250V AC (RMS)

Material Info



EU RoHS

ELV and RoHS Compliant
REACH SVHC
 Not Reviewed
Halogen-Free Status
 Not Reviewed

China RoHS



Need more information on product environmental compliance?

Email productcompliance@molex.com
 For a multiple part number RoHS Certificate of Compliance, [click here](#)

Please visit the [Contact Us](#) section for any non-product compliance questions.

Search Parts in this Series

[85003Series](#)

Mates With

[85042](#) DIN 41612 Receptacle. [85052](#) DIN 41612 Header

Reference - Drawing Numbers

Packaging Specification

Product Specification

Sales Drawing

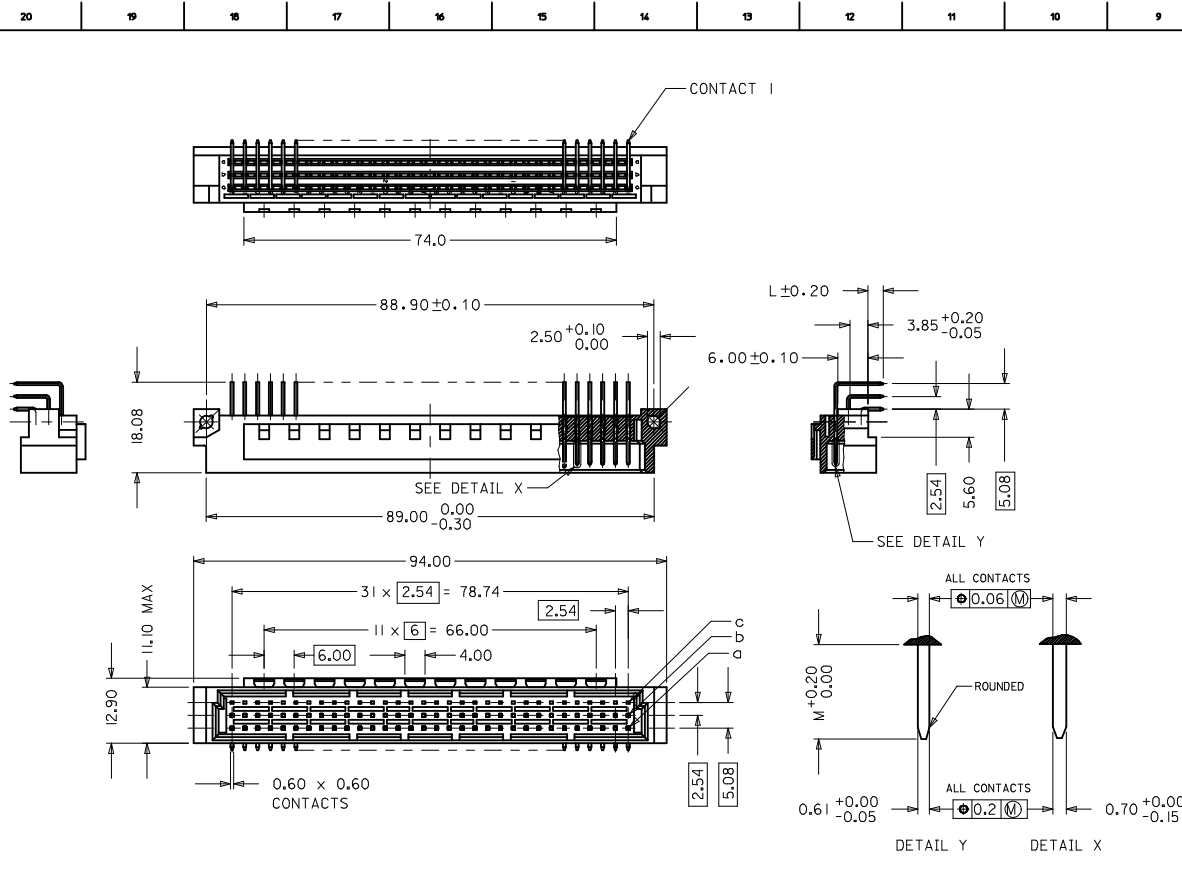
PK-85003-001

PS-85003-0001

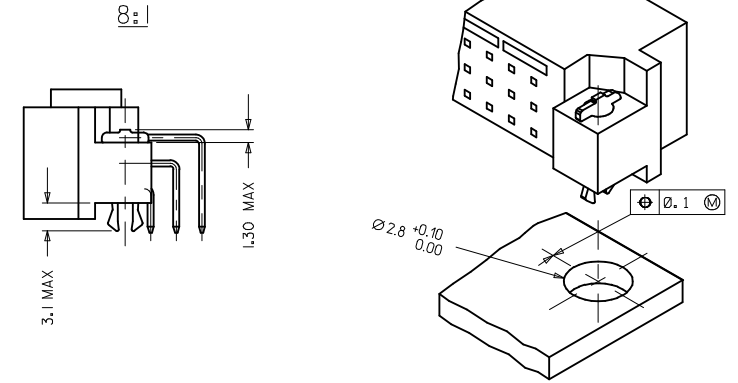
SD-85003-0001, SD-85003-1548

This document was generated on 05/17/2010

PLEASE CHECK WWW.MOLEX.COM FOR LATEST PART INFORMATION



WITH MOUNTING CLIPS

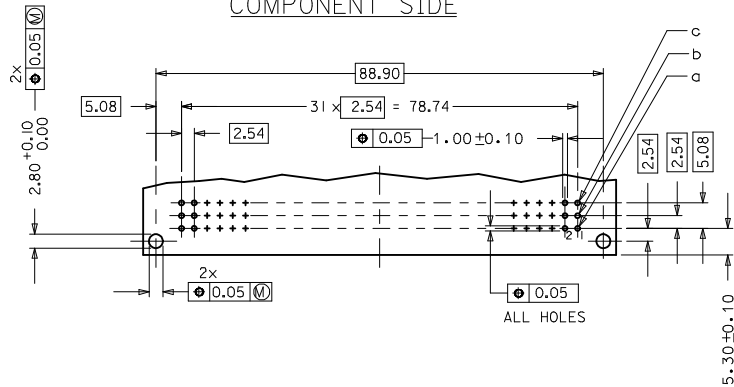


NOTES:

- MATERIALS: THERMOPLASTIC POLYESTER, GLASS FILLED, UL94V-0
COLOUR: PEBBLE GREY RAL 7032
TERMINAL - BRASS
MOUNTING CLIP: STEEL
- FINISH: CONTACT AREA
 - PERFORMANCE LEVEL 1: SELECTIVE GOLD (Au), THICKNESS = 1.1 MICROMETER OVER NICKEL, THICKNESS = 1.25 MICROMETER
 - PERFORMANCE LEVEL 2: SELECTIVE GOLD (Au), THICKNESS = 0.6 MICROMETER OVER NICKEL, THICKNESS = 1.25 MICROMETER
 - PERFORMANCE LEVEL 3: SELECTIVE GOLD (Au), THICKNESS = 0.3 MICROMETER OVER NICKEL, THICKNESS = 1.25 MICROMETER

TERMINATION AREA : SELECTIVE TIN, THICKNESS = 2.5 MICROMETER OVER NICKEL, THICKNESS = 1.25 MICROMETER OVERALL
- MOUNTING CLIP:-
TIN (Sn), THICKNESS = 5-10 MICROMETER,
OVER NICKEL (Ni), THICKNESS = 2.5 MICROMETER
- FOR NON MOUNTING CLIP OPTION, CONNECTOR TO BE SECURED WITH RIVETS: 2 TUBULAR RIVETS 2.5 x 0.3 ... DIN 7340
SCREWS: 2 CHEESEHEAD SCREWS M2.5 x ... DIN 84 AND 2 HEXAGONAL NUTS M2.5 DIN 934
- STANDARD MARKING : MOLEX, MATERIAL NUMBER, BATCH CODE
- CUT FACE OF TIP WITHOUT PLATING PERMITTED
- PRODUCT SPECIFICATION PS : 85003-0001

RECOMMENDED PCB LAYOUT
COMPONENT SIDE



| | |
|-----------------|-----|
| LMFB CONTACTS | 4,2 |
| FMLB CONTACTS | 5,4 |
| NORMAL CONTACTS | 4,8 |
| | M |

RoHS COMPLIANT

| | | | | | | |
|---|-------------------------------|---------------------------------------|-----------------|--------------------------|--------------|------------------------|
| EC NO: 2007-0072 DRAWN: JAYENG CHKD: SUDHIR APPR: KRASAD 2008/06/19 2009/10/17 | QUALITY SYMBOLS ▽=0 ▽=0 | GENERAL TOLERANCES (UNLESS SPECIFIED) | DIMENSION STYLE | SCALE | DESIGN UNITS | THIRD ANGLE PROJECTION |
| | | mm | MM ONLY | 2:1 | METRIC | |
| | | INCH | | | | |
| | | DRAWN BY DATE | | DATE | | TITLE |
| SS | | 2001/05/28 | | 96 POS. MALE CONNECTOR | | |
| CHECKED BY DATE | | DATE | | ACC. DIN 41612 | | |
| GJLOWE | | 2001/05/28 | | STYLE C CONTACTS | | |
| APPROVED BY DATE | | DATE | | MOLEX MOLEX INCORPORATED | | |
| GJLOWE | | 2001/05/28 | | DOCUMENT NO. | | |
| MATERIAL NO. | | SEE CHART | | SD-85003-0001 | | |
| DRAFT WHERE APPLICABLE MUST REMAIN WITHIN DIMENSIONS | | SIZE | | SHEET NO. | | |
| | | A 1 | | 2 OF | | |
| THIS DRAWING CONTAINS INFORMATION THAT IS PROPRIETARY TO MOLEX INCORPORATED AND SHOULD NOT BE USED WITHOUT WRITTEN PERMISSION | | | | | | |

20 19 18 17 16 15 14 13 12 11 9 8 7 6 5 4 3 2 1


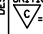
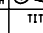
VIEW ON MATING SIDE

| | | | | | | | | | | | | | | | | | | | | | | | | | | | | | | | | |
|---|----|----|----|----|----|----|----|----|----|----|----|----|----|----|----|----|----|----|----|----|----|----|----|---|---|---|---|---|---|---|---|---|
| ⊙ | X | C | C | C | C | C | C | C | C | C | C | C | C | C | C | C | C | C | C | C | C | C | C | C | C | C | X | | | | | |
| ⊙ | B | B | B | B | B | B | B | B | B | B | B | B | B | B | B | B | B | B | B | B | B | B | B | B | B | B | B | | | | | |
| ⊙ | Z | A | A | A | A | A | A | A | A | A | A | A | A | A | A | A | A | A | A | A | A | A | A | A | A | A | Z | | | | | |
| | 32 | 31 | 30 | 29 | 28 | 27 | 26 | 25 | 24 | 23 | 22 | 21 | 20 | 19 | 18 | 17 | 16 | 15 | 14 | 13 | 12 | 11 | 10 | 9 | 8 | 7 | 6 | 5 | 4 | 3 | 2 | 1 |

A = 30 STANDARD CONTACTS L = 3
 B = 32 STANDARD CONTACTS L = 3
 C = 30 STANDARD CONTACTS L = 3
 Z = 2 FMLB CONTACTS +0,6 L = 3
 X = 2 FMLB CONTACTS +0,6 L = 3
 S = 96 TOTAL NUMBER OF CONTACTS

| | |
|-------------------|---|
| MARKING | STANDARD |
| PERFORMANCE LEVEL | G2/O = CONTACT AREA LEVEL 2 / TERMINATION TIN |
| FLUX PROOF | NO |
| FIXING CLIP | NO |
| DIMENSIONS | SD-85003-0001 SHT 2 |

| | | |
|----------------|-------------------|-------------------------|
| X | G2/O | c1, 32 |
| Z | G2/O | a1, 32 |
| C | G2/O | c2-31 |
| B | G2/O | b1-32 |
| A | G2/O | a2-31 |
| CONTACT SYMBOL | PERFORMANCE LEVEL | CONTACT POSITION NUMBER |

| | | | | | | | | |
|--|--|---|--|--|---|--|---------------------------------|--|
| EC NO. I 2004-XXXX DRAWN: 09/09/03 CHK: G.L.: 09/09/03 APPR: L.L.: 09/09/03 | QUALITY SYMBOLS MAJOR  CRITICAL  | GENERAL TOLERANCES: (UNLESS SPECIFIED) mm INCH 4 PLACES ±0.1 ±.005 3 PLACES ±0.1 ±.005 2 PLACES ±0.1 ±.005 1 PLACE ±0.1 ±.005 | SCALE DRAWN BY & DATE S.S. 16/05/02 CHECKED BY & DATE G.L. 16/05/02 APPROVED BY & DATE G.L. 16/05/02 | DESIGN UNITS <input checked="" type="checkbox"/> MM <input type="checkbox"/> INCH | THIRD ANGLE PROJECTION  | DIMENSIONS: <input type="checkbox"/> MM <input type="checkbox"/> INCH <input checked="" type="checkbox"/> MM ONLY | SHEET REV REVISE ON CAD ONLY | |
| | TITLE: 96 POS MALE CONNECTOR ACCORDING DIN 41612 STYLE C CONTACTS ARRANGEMENT | | CAD FILENAME SD-85003-1548.S0 | | MATERIAL NO. 85003-1548 | DRAWING NO. SD-85003-1548 | SHEET NO. 1 OF 1 | |
| | DRAFT WHERE APPLICABLE MUST REMAIN WITHIN DIMENSIONS | | THIS DRAWING CONTAINS INFORMATION THAT IS PROPRIETARY TO MOLEX INCORPORATED AND SHOULD NOT BE USED WITHOUT WRITTEN PERMISSION. | | | | | |
| | MOLEX INCORPORATED | | SIZE D | | | | | |

19 18 17 16 15 14 13 12 11 10 9 8 7 6 5 4 3 2 1