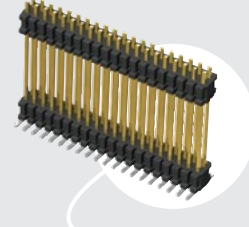
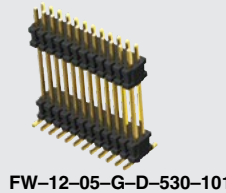


FLEX STACK

(1.27 mm) .050"

FW-20-05-F-D-610-065



SMT MICRO BOARD STACKER

SPECIFICATIONS

For complete specifications and recommended PCB layouts see www.samtec.com?FW-SM

Insulator Material:
Black Liquid Crystal Polymer
Terminal Material:
Phosphor Bronze
Plating:
Sn or Au over 50 μm (1.27 μm) Ni
Operating Temp Range:
-55 °C to +125 °C
RoHS Compliant:
Yes

PROCESSING

Lead-Free Solderable:
Yes
SMT Lead Coplanarity:
(0.10 mm) .004" max (02-30)
(0.15 mm) .006" max (31-50)*
*(.004" stencil solution may be available; contact IPG@samtec.com)

RECOGNITIONS

For complete scope of recognitions see www.samtec.com/quality



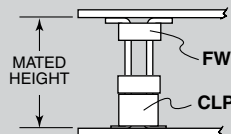
ALSO AVAILABLE (MOQ Required)

- Smaller stack heights

Board Mates:
CLP, FLE

Cable Mates:
FFSD

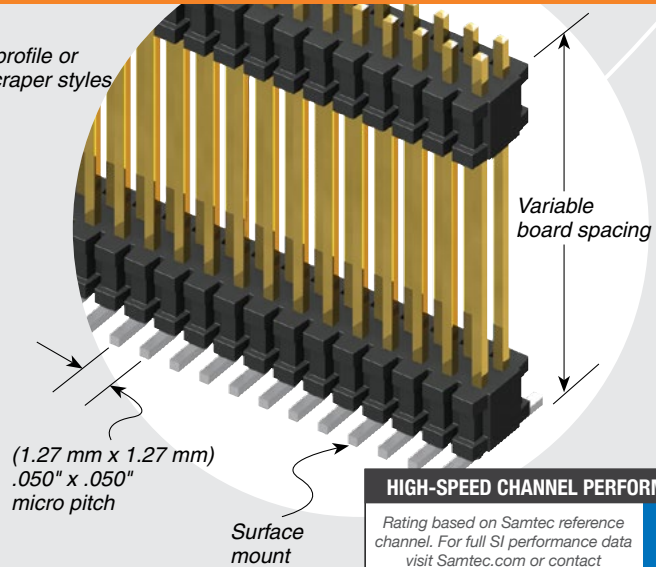
APPLICATIONS



LEAD STYLE		MATED HEIGHT*
FW	CLP	
FW-XX-03-X-X-233-065	-02	(8.13) .320
FW-XX-03-X-X-303-065		(9.91) .390

*Processing conditions will affect mated height.

Low-profile or skyscraper styles



HIGH-SPEED CHANNEL PERFORMANCE

Rating based on Samtec reference channel. For full SI performance data visit Samtec.com or contact SIG@samtec.com

4 Gbps

FW	NO. PINS PER ROW	LEAD STYLE	PLATING OPTION	D	STACKER HEIGHT	POST HEIGHT	OPTION
	02 thru 50	Specify LEAD STYLE from chart	<p>-F = Gold flash on post, Matte Tin on tail</p> <p>-L = 10 μm (0.25 μm) Gold on post, Matte Tin on tail</p> <p>-G = 10 μm (0.25 μm) Gold on post, Gold flash on tail</p>		<p>-“XXX” = Stacker Height (in inches) Example: -250 = (6.35 mm) .250"</p>	<p>-“XXX” = Post Height (in inches) (1.65 mm) .065" minimum Example: -065 = (1.65 mm) .065"</p>	<p>-ES = End Shroud (-075 post height only. Mate only with CLP) (5.46 mm) .215" to (15.49 mm) .610" stacker height only 9 pins/row min.</p> <p>-EP = End Shroud with Guide Post (-075 post height only. Mate only with CLP.) (5.46 mm) .215" to (15.49 mm) .610" stacker height only 9 pins/row min.</p> <p>-A = Alignment Pin (3 positions min.) (5.46 mm) .215" to (15.75 mm) .620" stacker height only</p> <p>-P = Pick & Place Pad (5 positions min.)</p> <p>-TR = Tape & Reel (Max overall height = Post+Stacker Height+ Pad+Alignment Pin = .700 (17.78))</p>

LEAD STYLE	STACKER HEIGHT	STACKER + POST
-03	(5.46) to (8.51) .215 to .335	(7.11) to (10.16) .280 to .400
-05	(8.64) to (15.49) .340 to .610	(10.29) to (17.15) .405 to .675

Notes:
For added mechanical stability, Samtec recommends mechanical board spacers be used in applications with gold or selective gold plated connectors. Contact ipg@samtec.com for more information.

This Series is non-standard, non-returnable.

Due to technical progress, all designs, specifications and components are subject to change without notice.

WWW.SAMTEC.COM

All parts within this catalog are built to Samtec's specifications. Customer specific requirements must be approved by Samtec and identified in a Samtec customer-specific drawing to apply.