

CATALOG LISTING  
**LSQUC5K272**

PAGE 1 OF 1

ISSUE 1

REVISIONS

DRAWN

S A V 22 MAY 97

CHECK

S A V 22 MAY 97

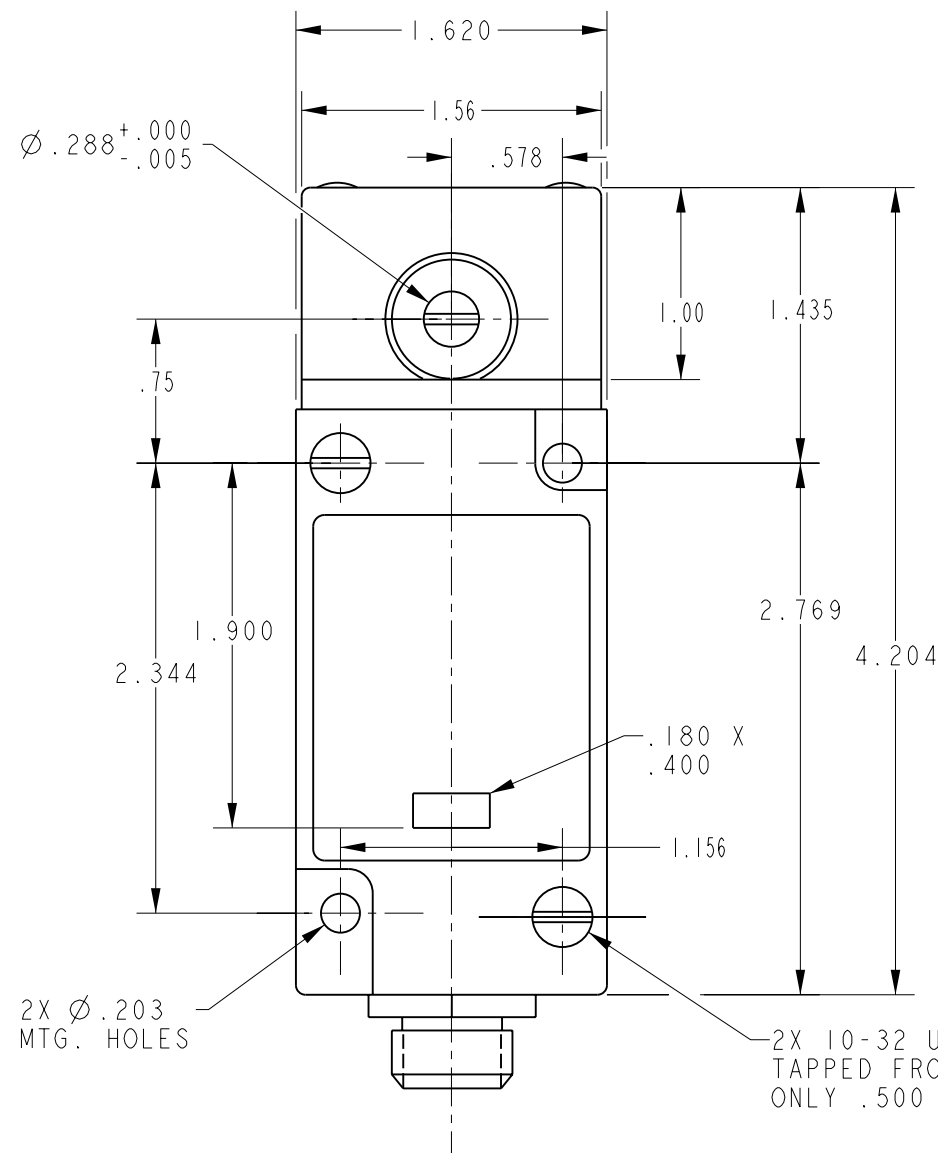
CHECK

S A V 22 MAY 97

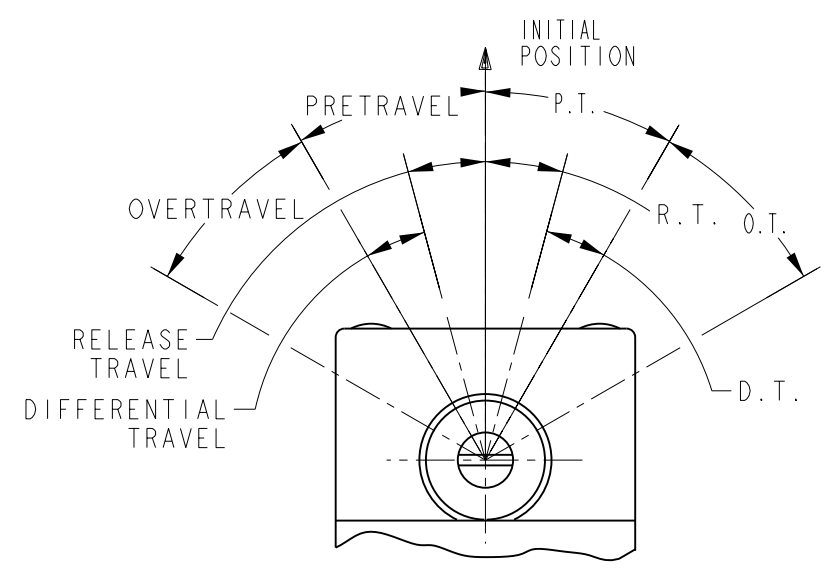
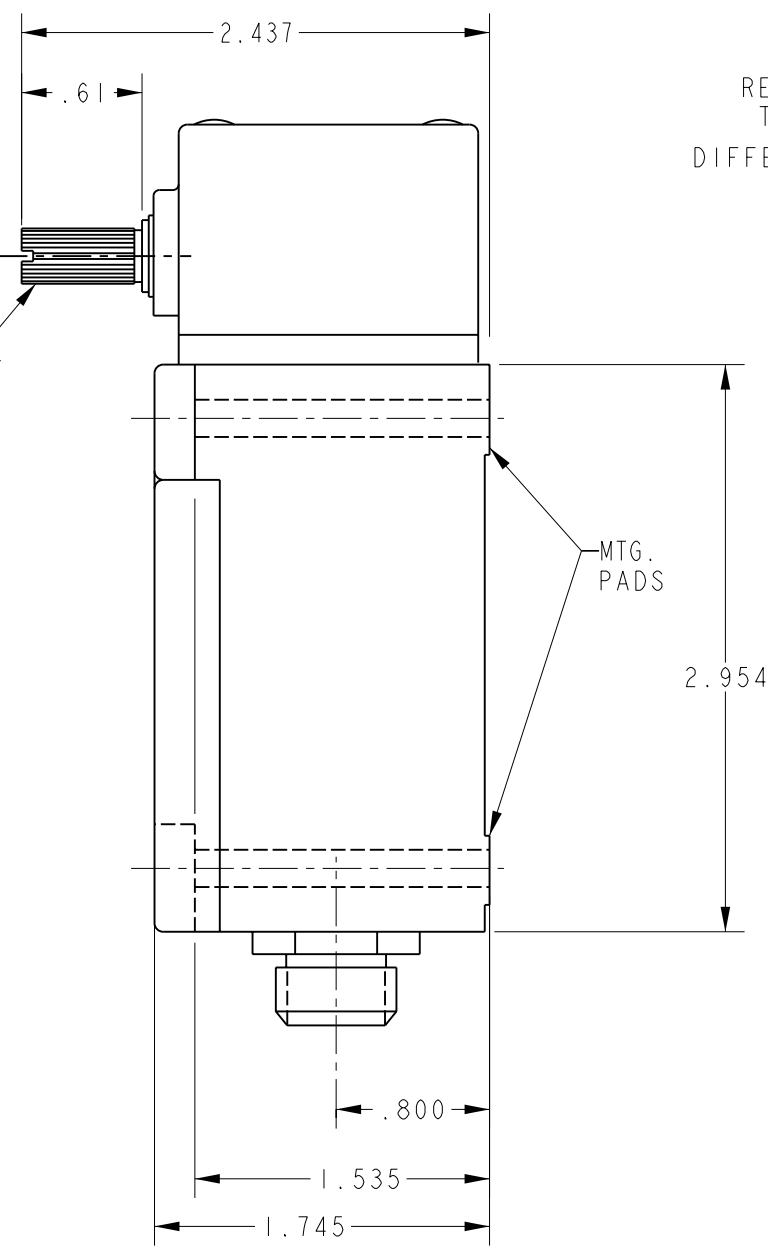
CHECK

REPLACES

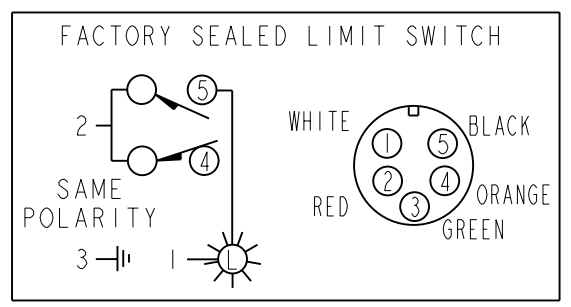
RELEASE NO. PR-22817



CORROSION RESISTANT  
STAINLESS STEEL SHAFT  
WITH STRAIGHT KNURL



OPERATING DATA - SIDE ROTARY



THIS DRAWING COVERS A PROPRIETARY ITEM AND IS THE PROPERTY OF MICRO SWITCH, A DIVISION OF HONEYWELL. THIS DRAWING IS NOT TO BE COPIED OR USED WITHOUT THE APPROVAL OF MICRO SWITCH

CHARACTERISTICS	ELECTRICAL DATA
OPERATING TORQUE ----- 4 IN LBS MAX	CONTACT ARRANGEMENT
FULL TRAVEL TORQUE ----- 4 IN LBS MAX	SPDT
TOTAL TRAVEL ----- 85° REF	
PRETRAVEL ----- 5° MAX	
DIFFERENTIAL TRAVEL ----- 3° MAX	
OVERTRAVEL ----- 80° MIN	

THIRD ANGLE PROJECTION	
SCALE	FULL
DO NOT SCALE PRINT	
UNLESS OTHERWISE SPECIFIED TOLERANCES ARE	
ONE PLACE	(.0) ±.030
TWO PLACE	(.00) ±.015
THREE PLACE	(.000) ±.005
ANGLES	±
WEIGHT	

- NOTES  
1 - WOODHEAD 5 PIN MINI CONNECTOR  
2 - BASIC SWITCH TERMINAL AREA AND CONNECTOR EPOXY SEALED IN HOUSING

ANSI Y14.5M-1982 APPLIES