

PLEASE CHECK WWW.MOLEX.COM FOR LATEST PART INFORMATION

Part Number: [0734150960](#)
Status: **Active**
Overview: [MMCX RF Connectors](#)
Description: 50 Ohms, MMCX Edge Mount PCB Jack Receptacle, Plating per MIL Requirements

Documents:

[Drawing \(PDF\)](#) [RoHS Certificate of Compliance \(PDF\)](#)

General

Product Family	RF/Coax Connectors
Series	73415
Comments	Individual Bags
Overview	MMCX RF Connectors
Product Name	MMCX
Style	PCB
UPC	800753122703
Wire/Cable Type	N/A

Physical

Gender	Jack
Keying to Mating Part	None
Net Weight	0.377/g
Orientation	Right Angle
PCB Mounting	Edge Mount
Packaging Type	Tray
Panel Mount	No
Panel Mount Method	N/A
Reverse Polar	No

Electrical

Impedance	50#
-----------	-----

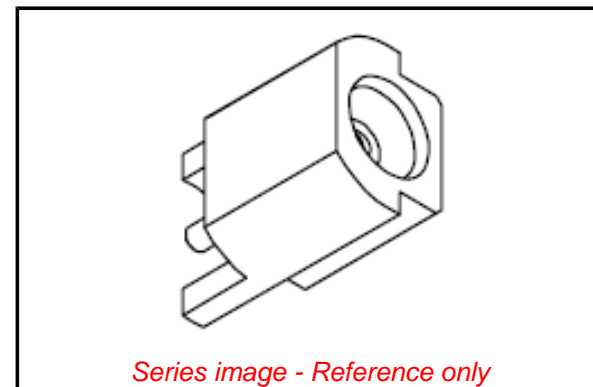
Solder Process Data

Lead-freeProcess Capability	REFLOW
Process Temperature max. C	260

Material Info

Reference - Drawing Numbers

Sales Drawing	SD-73415-096
---------------	--------------



EU ELV

Not Relevant

EU RoHS

Compliant with Exemption 6(c)

REACH SVHC

Contains SVHC(2015 June 15): No

Halogen-Free

Status

Low-Halogen

Need more information on product environmental compliance?

Email productcompliance@molex.com
Please visit the [Contact Us](#) section for any non-product compliance questions.

China ROHS

50 Image

ELV

Not Relevant

Search Parts in this Series

[73415 Series](#)

PLEASE CHECK WWW.MOLEX.COM FOR LATEST PART INFORMATION