

NOTES:

1. MATERIALS AND FINISHES:

BODY - BERYLLIUM COPPER, ALBLOY OVER SLIVER
 CONTACT - BERYLLIUM COPPER, GOLD PLATING
 INSULATOR - PTFE, NATURAL

2. ELECTRICAL:

- A. IMPEDANCE: 50 OHM
- B. FREQUENCY RANGE: 0-10 GHz
- C. RETURN LOSS: 30 dB MIN.@ DC-2 GHz
 27 dB MIN.@ 2-4 GHz
 24 dB MIN.@ 4-6 GHz
- D. INSERTION LOSS: $0.05X \sqrt{f(\text{GHz})}$ dB MAX.
- E. POWER HANDLING: 200 W MAX.@ 2.2 GHz AT 20°C
- F. INTERMODULATION(3rd order): 160 dBc Min.@ 2X43dBm

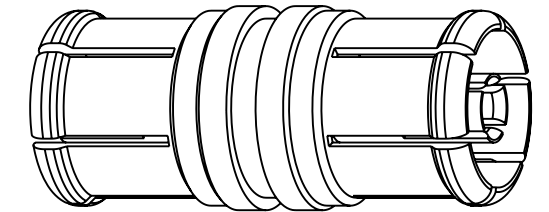
3. MECHANICAL:

- A. DURABILITY:
 IF MATING PART IS SMOOTH BORE, CATCHERS MITT: 1000 CYCLES MIN.
 IF MATING PART IS LIMITED & FULL DETENT: 100 CYCLES MIN.
- B. TEMPERATURE RANGE: -65°C TO +165°C

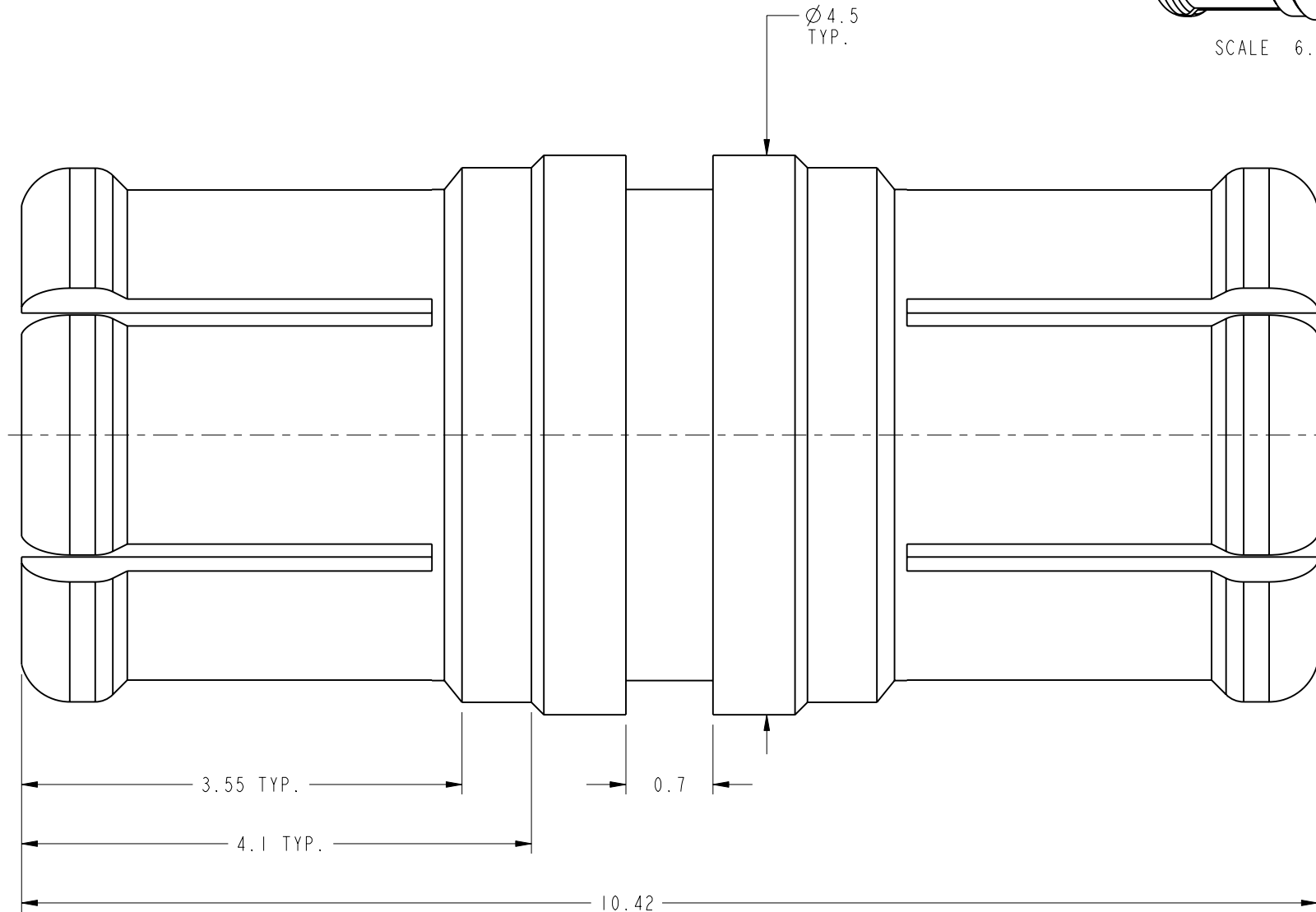
THIRD ANGLE PROJ.

REVISIONS

| REV | DESCRIPTION | DATE | ECO | APPR |
|-----|--|-----------|-------|------|
| A | RELEASE TO MFG. | 08-Jul-13 | | RS |
| B | TITLE WAS CHANGED, ADDED PART NO. PSMP-FSBA-1042 | 29-Oct-15 | 50843 | AY |



SCALE 6.000



CUSTOMER OUTLINE DRAWING

ALL OTHER SHEETS ARE FOR INTERNAL USE ONLY

| | | | | | | | | | |
|--|-----------|----------------------------------|-------------------|--------------------------------------|------------------|----------|--|--|--|
| UNLESS OTHERWISE SPECIFIED, DIMENSIONS ARE IN METRIC AND TOLERANCES ARE: 0.5 - 6mm ±0.1mm 6 - 30mm ±0.2mm 30 - 120mm ±0.3mm ANGLES ±1° NOTICE - These drawings, specifications, or other data (1) are, and remain the property of Amphenol corp. (2) must be returned upon request; and (3) are confidential and not to be disclosed to any person other than those to whom they are given by Amphenol Corp. the finishing of these drawings, specifications, or other data by Amphenol Corp., or to any other person to anyone for any purpose is not to be regarded by implication or otherwise in any manner licensing, granting rights to permitting such holder or any other person to manufacture, use or sell any product, process or design, patented or otherwise, that may in any way be related to or disclosed by said drawings, specifications, or other data. | MATERIAL | DRAWN STAMN | DATE 20-Nov-15 | TITLE PSMP BULLET 10.42mm LONG | | | Amphenol RF Danbury CT USA, Tainan, Taiwan, Shenzhen, China www.amphenolrf.com | | |
| | REFERENCE | ENGINEER RICKOSN | DATE 02-Nov-15 | | | | | | |
| | FINISH | APPROVED S.HSIEH | DATE 20-Nov-15 | SCALE: 15.0:1.0 SHEET 2 OF 2 | | | ITEM NO. 677071AAUA1BT5F | | |
| | | I:\PSMP\PSMP7071A1-002-AT8GPA-50 | CAD FILE | DWG SIZE B | CODE ID 74868 | REV B | PART NO. PSMP-FSBA-1042 | | |