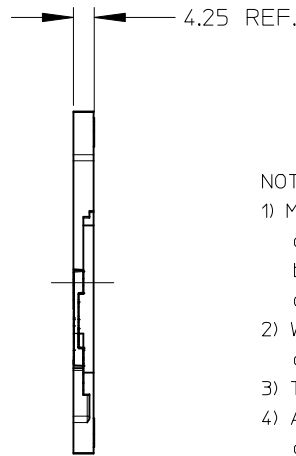
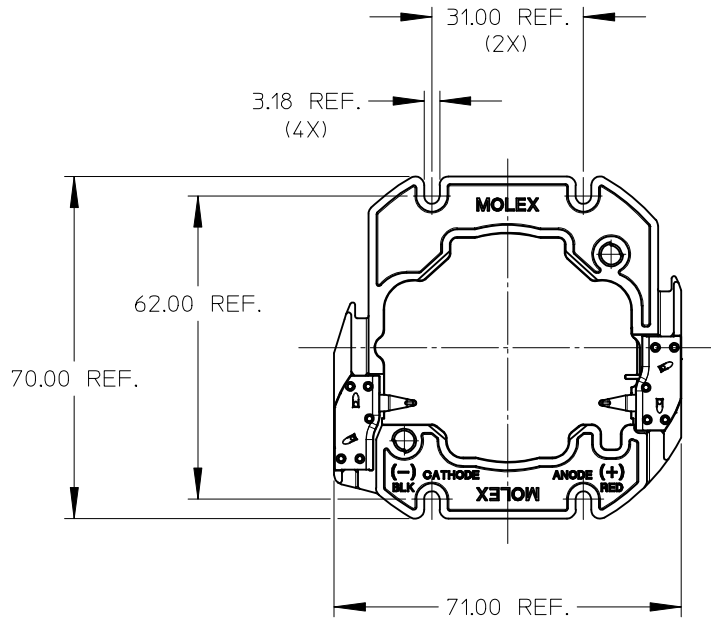
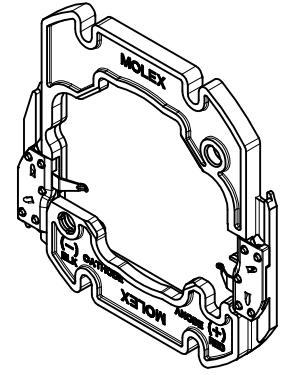
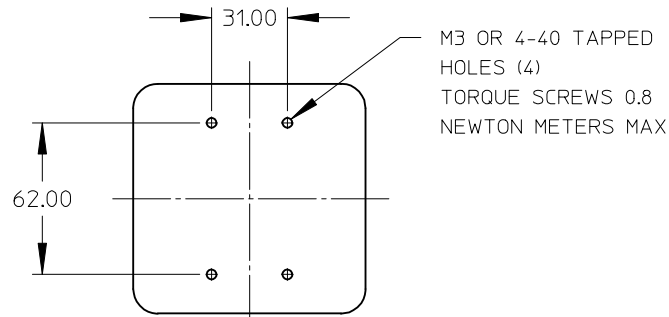


10	9	8	7	6	5	4	3	2	1
PART NUMBER	DESCRIPTION	SEE SHEET	STATUS						
180180-0000	HOLDER WITHOUT LENS	3	TOOLED						
180180-0001	HOLDER WITH LENS	3	NOT TOOLED						
180182-0000	COVER LENS ONLY	3	NOT TOOLED						
N/A	REFLECTOR OPTION (LEDIL)	4	AVAILABLE THRU LEDIL						



NOTES:

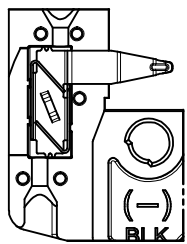
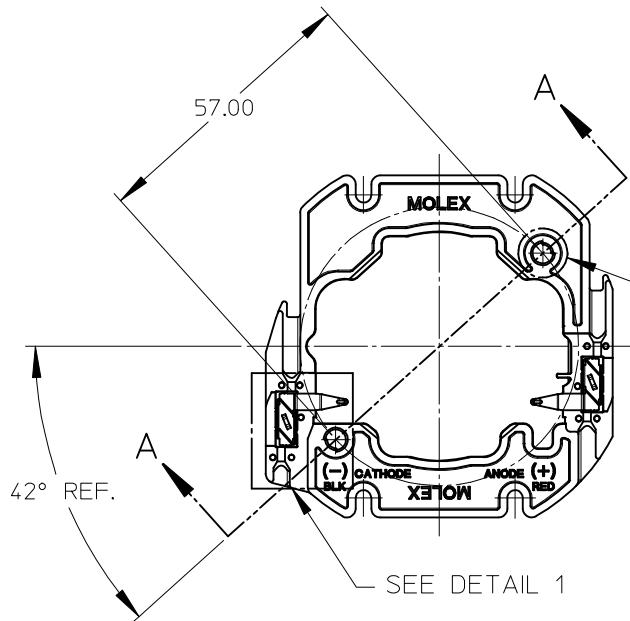
- 1) MATERIALS:
 - a. CAPS: NATURAL COLOR PA66 NYLON 25% GF UL94V-0
 - b. HOUSING: NATURAL COLOR PA66 NYLON 25% GF UL94V-0
 - c. COVER LENS: CLEAR POLYCARBONATE UL 94HB
- 2) WIRE TRAP TERMINALS: COPPER ALLOY
 - a. FINISH: SILVER OVER NICKEL
- 3) THIS PRODUCT IS ELV AND ROHS COMPLIANT
- 4) APPLICABLE WIRE GAUGE - 18 OR 20 AWG
 - a. SOLID WIRE IS RECOMMENDED
 - b. IF STRANDED WIRE IS USED, PRE-TINNED IS RECOMMENDED
 - c. 1 cm STRIP LENGTH IS RECOMMENDED
- 5) MOUNT HOLDER USING M3 OR 4-40 SCREWS (4), 0.8 NEWTON METERS MAX TORQUE
- 6) CONTACT AREA OF TERMINAL HAS AN ENVIRONMENTAL BARRIER/LUBRICANT FOR CORROSION RESISTANCE
- 7) UL:0LFB2 UL496 FILE: E345583.



RECOMMENDED MOUNTING DIMENSIONS (NTS)

ENTER DESCRIPTION EC NO: SSL2016-0054 DRWNL:ZAB.JANOVSKI 2016/03/29 CHKD: APPR:GMEYER 2016/04/11 REV	QUALITY SYMBOLS	GENERAL TOLERANCES (UNLESS SPECIFIED)	DIMENSION STYLE	SCALE	DESIGN UNITS	THIRD ANGLE PROJECTION
	▽F/0	mm INCH	MM ONLY	1:1	METRIC	⊙ □
	▽E/0	4 PLACES ± --- ± ---	DRAWN BY DATE	BRIDGELUX RS LED HOLDER		
	▽E/0	3 PLACES ± --- ± ---	CCARRANZA 2010/10/26			
▽E/0	2 PLACES ± 0.13 ± ---	CHECKED BY DATE	MOLEX INCORPORATED			
	1 PLACE ± 0.25 ± ---	CCARRANZA 2012/11/06				
	ANGULAR ± 1/2°	APPROVED BY DATE	DOCUMENT NO. SD-180180-000			
		DMCGOWAN 2010/12/23				
		MATERIAL NO.	SHEET NO. 1 OF 4			
		SEE CHART				
		DRAFT WHERE APPLICABLE MUST REMAIN WITHIN DIMENSIONS	THIS DRAWING CONTAINS INFORMATION THAT IS PROPRIETARY TO MOLEX INCORPORATED AND SHOULD NOT BE USED WITHOUT WRITTEN PERMISSION			
		SIZE B				

WIRE TRAP CAPS ARE REMOVED FROM FRONT VIEW FOR CLARITY

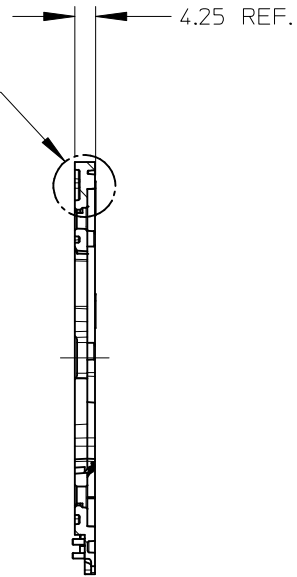


VIEW OF TWO-WAY WIRE TRAP

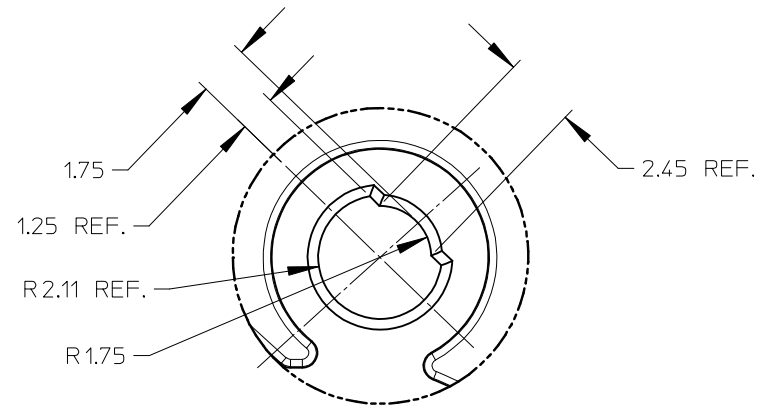
WIRE TRAPS WILL ACCOMODATE
EITHER 18 OR 20 GAUGE WIRE

DETAIL 1 SCALE 2:1

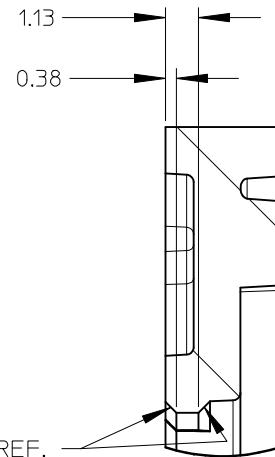
SEE DETAIL 3
SEE DETAIL 2



SECTION A-A
SCALE 1:1



DETAIL 2 SCALE 6:1

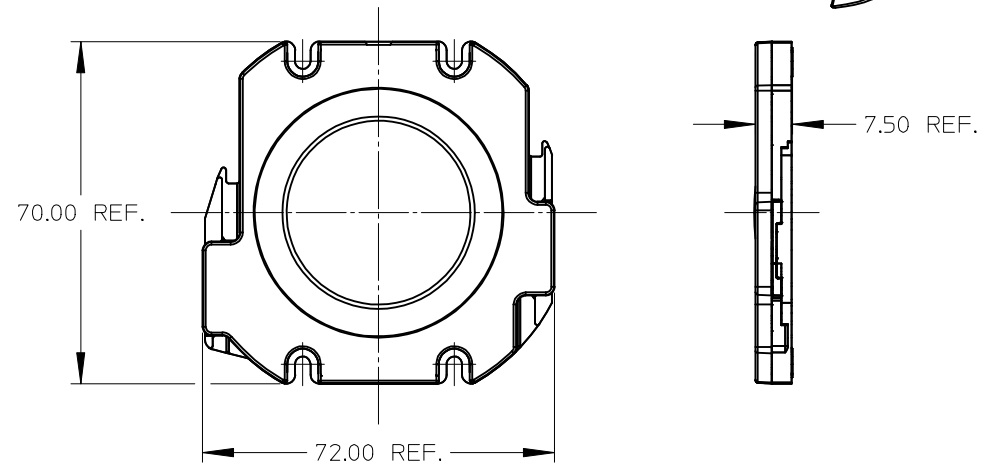
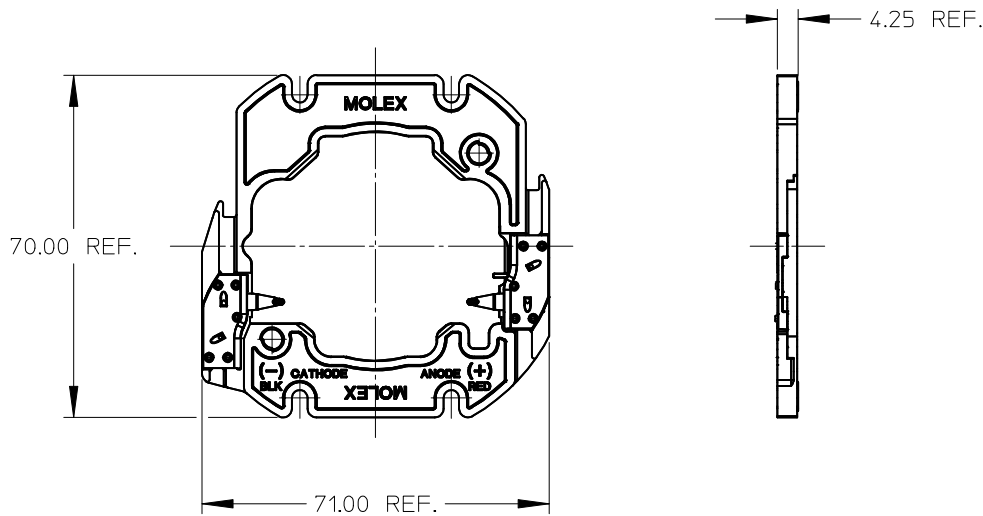
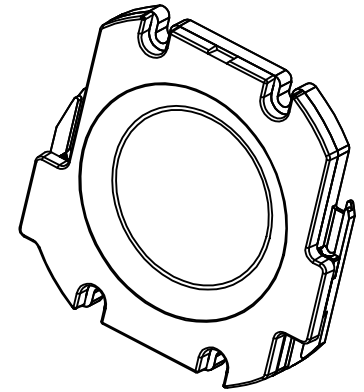
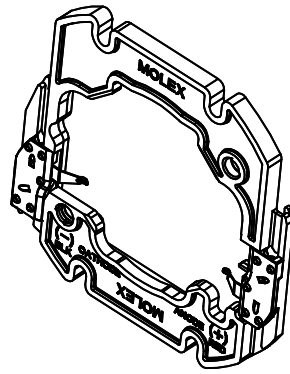


45° CHAMFER REF.

DETAIL 3 SCALE 6:1

ENTER DESCRIPTION EC NO: SSL2016-0054 DRWNL:ZAB.JANOVSKI 2016/03/29 CHKD: APPR:GMEYER 2016/04/11 REV	QUALITY SYMBOLS $\nabla/0$ $\nabla/0$ $\nabla/0$	GENERAL TOLERANCES (UNLESS SPECIFIED) mm INCH 4 PLACES ± --- ± --- 3 PLACES ± --- ± --- 2 PLACES ± 0.13 ± --- 1 PLACE ± 0.25 ± --- ANGULAR ± 1/2°	DIMENSION STYLE MM ONLY DRAWN BY DATE CCARRANZA 2010/10/26 CHECKED BY DATE CCARRANZA 2012/11/06 APPROVED BY DATE DMCGOWAN 2010/12/23 MATERIAL NO.	SCALE 2:1 TITLE BRIDGELUX RS LED HOLDER	DESIGN UNITS METRIC	THIRD ANGLE PROJECTION	
	DRAFT WHERE APPLICABLE MUST REMAIN WITHIN DIMENSIONS			SEE CHART	Molex MOLEX INCORPORATED	DOCUMENT NO. SD-180180-000	SHEET NO. 2 OF 4
	C2	REV	6	5	4	3	2
	THIS DRAWING CONTAINS INFORMATION THAT IS PROPRIETARY TO MOLEX INCORPORATED AND SHOULD NOT BE USED WITHOUT WRITTEN PERMISSION						

10 9 8 7 6 5 4 3 2 1



LED HOLDER PART NUMBER 180180-0000

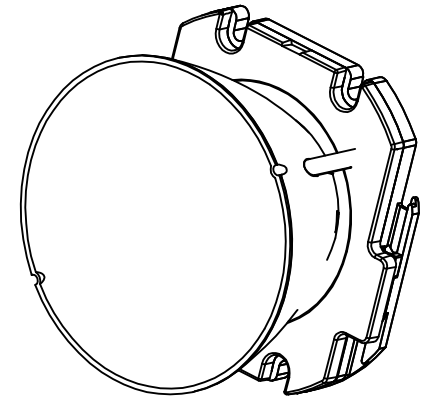
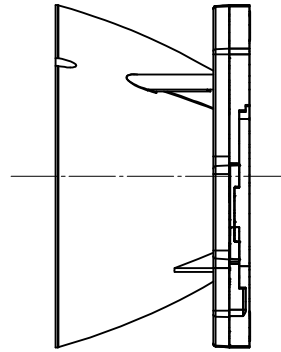
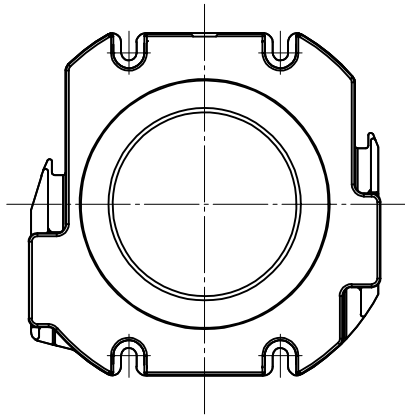
LED HOLDER SHOWN WITH OPTIONAL CLEAR COVER LENS
 MOLEX INDIVIDUAL COVER LENS PART NUMBER 180182-0000
 HOLDER AND LENS ASSEMBLY PART NUMBER 180180-0001

ENTER DESCRIPTION EC NO: SSL2016-0054 DRWNL:ZAB.JANOVSKI 2016/03/29 CHKD: APPR:GMEYER 2016/04/11 REV	QUALITY SYMBOLS	GENERAL TOLERANCES (UNLESS SPECIFIED)		DIMENSION STYLE MM ONLY		SCALE 1:1	DESIGN UNITS METRIC	THIRD ANGLE PROJECTION	
	▽=0	mm	INCH	DRAWN BY	DATE	TITLE BRIDGELUX RS LED HOLDER			
	▽=0	4 PLACES ± ---	± ---	CCARRANZA	2010/10/26				
	▽=0	3 PLACES ± ---	± ---	CHECKED BY	DATE	MATERIAL NO. SEE CHART			
▽=0	2 PLACES ± 0.13	± ---	CCARRANZA	2012/11/06					
		1 PLACE ± 0.25	± ---	APPROVED BY	DATE	DOCUMENT NO. SD-180180-000			
		ANGULAR ±1/2°		DMCGOWAN	2010/12/23				
DRAFT WHERE APPLICABLE MUST REMAIN WITHIN DIMENSIONS		SIZE B		THIS DRAWING CONTAINS INFORMATION THAT IS PROPRIETARY TO MOLEX INCORPORATED AND SHOULD NOT BE USED WITHOUT WRITTEN PERMISSION					

9 8 7 6 5 4 3 2 1

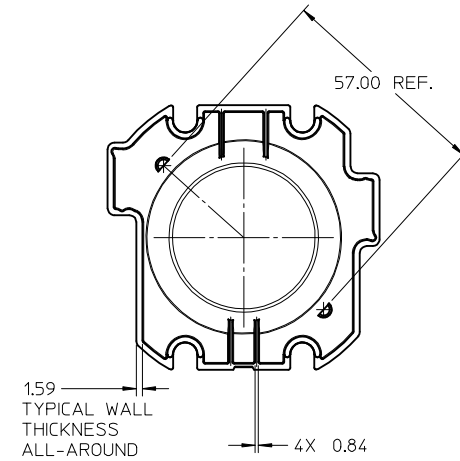
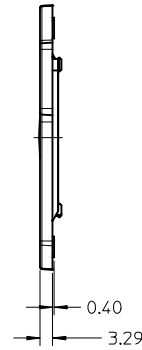
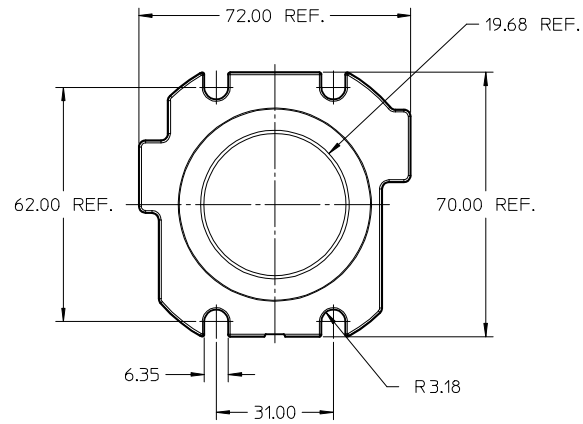
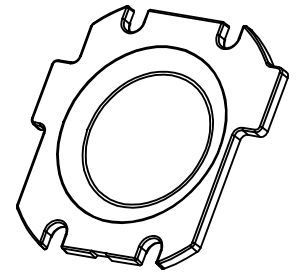
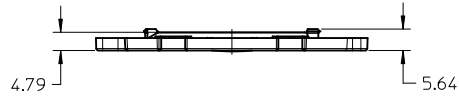
10 9 8 7 6 5 4 3 2 1

SHOWN WITH OPTIONAL REFLECTOR
 SOLD SEPARATELY BY LEDIL @ www.ledil.com



ENTER DESCRIPTION EC NO: SSL2016-0054 DRWNL:ZABJANOVSKI 2016/03/29 CHKD: APPR:GMEYER 2016/04/11	QUALITY SYMBOLS	GENERAL TOLERANCES (UNLESS SPECIFIED)		DIMENSION STYLE MM ONLY		SCALE 1:1	DESIGN UNITS METRIC	THIRD ANGLE PROJECTION	
	▽=0	mm	INCH	DRAWN BY	DATE	TITLE BRIDGELUX RS LED HOLDER	MATERIAL NO.	DOCUMENT NO. SD-180180-000	SHEET NO. 4 OF 4
	▽=0	4 PLACES ± ---	± ---	CCARRANZA	2010/10/26				
	▽=0	3 PLACES ± ---	± ---	CHECKED BY	DATE	MOLEX INCORPORATED	THIS DRAWING CONTAINS INFORMATION THAT IS PROPRIETARY TO MOLEX INCORPORATED AND SHOULD NOT BE USED WITHOUT WRITTEN PERMISSION		
▽=0	2 PLACES ± 0.13	± ---	CCARRANZA	2012/11/06	SIZE B				
C2	1 PLACE ± 0.25	± ---	APPROVED BY	DATE					
		ANGULAR ± 1/2°		DMCGOWAN	2010/12/23				
		DRAFT WHERE APPLICABLE MUST REMAIN WITHIN DIMENSIONS		SEE CHART					

9 8 7 6 5 4 3 2 1



- NOTES:
1. MATERIAL: CLEAR POLYCARBONATE UL94HB.
2. THIS PRODUCT IS ELV AND ROHS COMPLIANT.

INITIAL RELEASE EC NO: SSL2013-0009 DRAWN: MDEVITO 2012/07/24 CHKD: CCARRANZA 2012/07/24 APPR: DMCGOWAN 2012/07/25	DESCRIPTION REV 1	QUALITY SYMBOLS	GENERAL TOLERANCES (UNLESS SPECIFIED)		DIMENSION STYLE MM ONLY		SCALE 1:1	DESIGN UNITS METRIC	THIRD ANGLE PROJECTION	
		▽=0	mm	INCH	DRAWN BY MDEVITO	DATE 2012/07/24	TITLE BRIDGELUX RS LED HOLDER LENS (SALES)			
		▽=0	4 PLACES ± ---	± ---	CHECKED BY CCARRANZA	DATE 2012/07/24				
		▽=0	3 PLACES ± ---	± ---	APPROVED BY DMCGOWAN	DATE 2012/07/25	MATERIAL NO. 1801820000		DOCUMENT NO. SD-180182-0000	SHEET NO. 1 OF 1
ANGULAR ±1/2°			DRAFT WHERE APPLICABLE MUST REMAIN WITHIN DIMENSIONS		THIS DRAWING CONTAINS INFORMATION THAT IS PROPRIETARY TO MOLEX INCORPORATED AND SHOULD NOT BE USED WITHOUT WRITTEN PERMISSION					