



EPLSP-019-2000

**EPLSP SERIES**

**(0.80 mm) .0315"**

# RUGGED LATCHING HIGH-SPEED SYSTEM

## FEATURES

- Rugged external cable
- Small form factor
- Low profile latching
- Metal-to-metal two-piece contact system
- High mating cycles
- High cable flex life (500 cycles 180° bend)
- Small bend radius

## SPECIFICATIONS

For complete specifications see [www.samtec.com?EPLSP](http://www.samtec.com?EPLSP)

**Cable:**  
32 AWG Low Skew Pair/  
28 AWG Power

**Bend Radius:**  
(25.40 mm) 1.00"

**Signal Routing:**  
100 Ω Differential

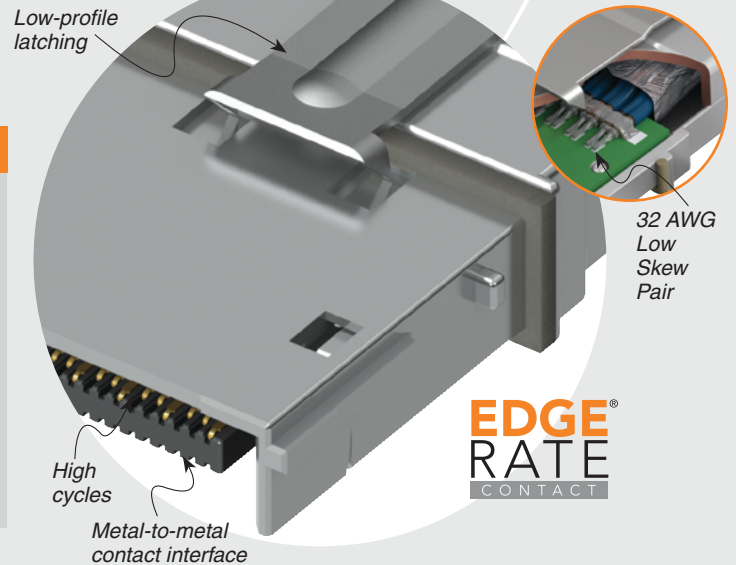
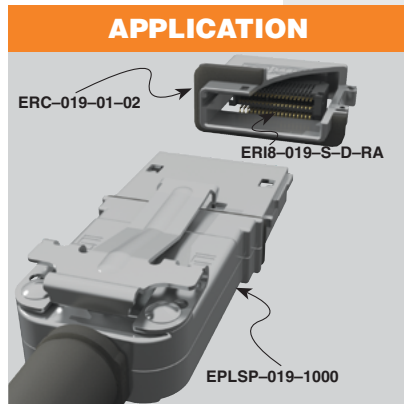
**Pinout Map:**  
1:1 Map Standard  
(See web address above for additional information)

**Operating Temp Range:**  
-20 °C to +105 °C

**Current Rating:**  
1.7 A per pin  
(2 pins powered)

**RoHS Compliant:**  
Yes

Mates with:  
ERI8



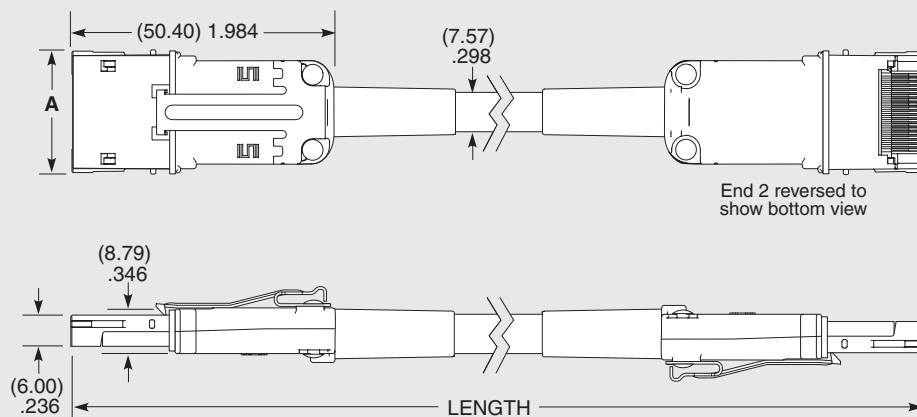
**EDGE  
RATE**  
CONTACT

TYPE	NO. OF POSITIONS	LENGTH
<b>EPLSP</b> = Eye Speed® I/O Cable	<b>-019</b> = 9 Pairs, 5 Power, 19 positions  <b>-031</b> = 17 Pairs, 5 Power, 31 positions	<b>-“XXXX”</b> = Length in millimeters -1000, -2000, -3000 (Standard lengths)

NO. OF POSITIONS	A
<b>-019</b>	(23.85) .939
<b>-031</b>	(32.95) 1.30

## ALSO AVAILABLE (MOQ Required)

- Other lengths



End 2 reversed to show bottom view

**Note:**  
This Series is non-standard, non-returnable.

Due to technical progress, all designs, specifications and components are subject to change without notice.

[WWW.SAMTEC.COM](http://WWW.SAMTEC.COM)

All parts within this catalog are built to Samtec's specifications.  
Customer specific requirements must be approved by Samtec and identified in a Samtec customer-specific drawing to apply.