



Main

| | |
|-------------------------------|---|
| Range of product | OsiSense XU |
| Series name | General purpose single mode |
| Electronic sensor type | Photo-electric sensor |
| Sensor name | XUM |
| Sensor design | Miniature |
| Detection system | Diffuse with background suppression |
| Material | Plastic |
| Type of output signal | Discrete |
| Supply circuit type | DC |
| Wiring technique | 3-wire |
| Discrete output type | PNP |
| Discrete output function | 1 NO or 1 NC programmable |
| Electrical connection | Remote male connector M12, 4 pins |
| Cable length | 0.98 ft (0.3 m) |
| Product specific application | - |
| Emission | Red diffuse with background suppression |
| [Sn] nominal sensing distance | 0.98 ft (0.3 m) diffuse with background suppression |

Complementary

| | |
|---------------------------|--|
| Enclosure material | PBT |
| Lens material | PC |
| Maximum sensing distance | 0.98 ft (0.3 m) diffuse with background suppression |
| Output type | Solid state |
| Wire insulation material | PVC |
| Status LED | 1 LED (green) instability 1 LED (orange) output state |
| [Us] rated supply voltage | 12...24 V DC with reverse polarity protection |
| Supply voltage limits | 10...30 V DC |
| Switching capacity in mA | <= 100 mA (overload and short-circuit protection) |
| Voltage drop | <= 2 V (closed state) |
| Current consumption | <= 20 mA (no-load) |
| Delay first up | < 100 ms |
| Delay response | < 1 ms |
| Setting-up | Sensitivity adjustment by potentiometer |
| Depth | 0.79 in (20 mm) |
| Height | 1.3 in (33 mm) |
| Length | 0.43 in (11 mm) |
| Width | 0.43 in (11 mm) |
| Product weight | 0.04 lb(US) (0.02 kg) |

Environment

| | |
|---------------------------------------|---|
| product certifications | CE CURus |
| ambient air temperature for operation | -13...131 °F (-25...55 °C) |
| ambient air temperature for storage | -22...158 °F (-30...70 °C) |
| immunity to ambient light | 3000 lux with natural light 3000 lux with incandescent light |
| vibration resistance | 20 gn, amplitude = +/- 1.5 mm (f = 10...500 Hz) conforming to IEC 60068-2-6 |

The information provided in this documentation contains general descriptions and/or technical characteristics of the products contained herein. This documentation is not intended as a substitute for and is not to be used for determining suitability or reliability of these products for specific user applications. It is the duty of any such user or integrator to perform the appropriate and complete risk analysis, evaluation and testing of the products with respect to the relevant specific application or use thereof. Neither Schneider Electric Industries SAS nor any of its affiliates or subsidiaries shall be responsible or liable for misuse of the information contained herein.

| | |
|-------------------------|---|
| shock resistance | 50 gn (duration = 11 ms) conforming to IEC 60068-2-27 |
| IP degree of protection | IP67 conforming to IEC 60529 |

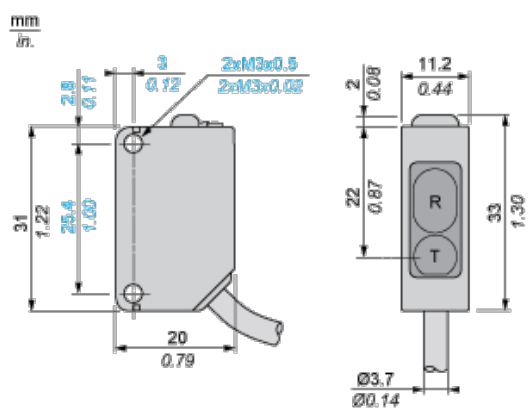
Offer Sustainability

| | |
|--|--|
| Not Green Premium product | Not Green Premium product |
| Compliant - since 1210 - Schneider Electric declaration of conformity | Compliant - since 1210 - Schneider Electric declaration of conformity |
| WARNING: This product can expose you to chemicals including: | WARNING: This product can expose you to chemicals including: |
| Diisononyl phthalate (DINP), which is known to the State of California to cause cancer, and | Diisononyl phthalate (DINP), which is known to the State of California to cause cancer, and |
| Di-isodecyl phthalate (DIDP), which is known to the State of California to cause birth defects or other reproductive harm. | Di-isodecyl phthalate (DIDP), which is known to the State of California to cause birth defects or other reproductive harm. |
| For more information go to www.p65warnings.ca.gov | For more information go to www.p65warnings.ca.gov |

Contractual warranty

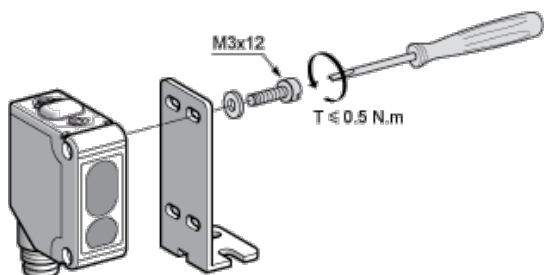
| | |
|-----------------|-----------|
| Warranty period | 18 months |
|-----------------|-----------|

Dimensions



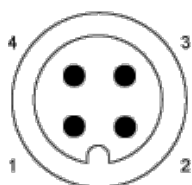
R : Reception
T : Transmission

Mounting



Wiring Schemes

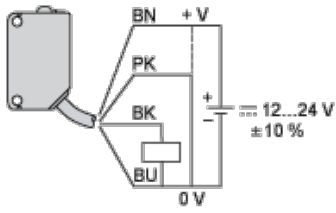
M12 Connector



1 : (+)
2 : Mode/Input

- 3 : (-)
- 4 : Output

PNP Output



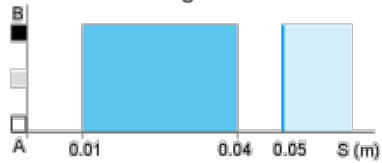
- BU : Blue
- BN : Brown
- BK : Black
- PK : Pink

Note : This scheme is represented in "background suppression" mode, cabling of pink (PK) wire to 0 V

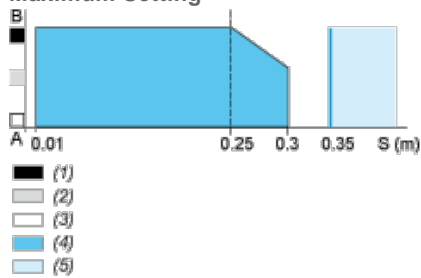
Detection Curves

Variation of Usable Sensing Distance

Minimum Setting



Maximum Setting



A-B : Object reflection coefficient

- (1) Black 6%
- (2) Grey 18%
- (3) White 90%
- (4) Sensing range
- (5) Non sensing zone (matt surfaces)