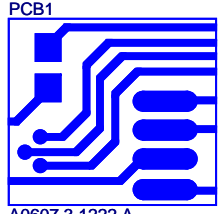
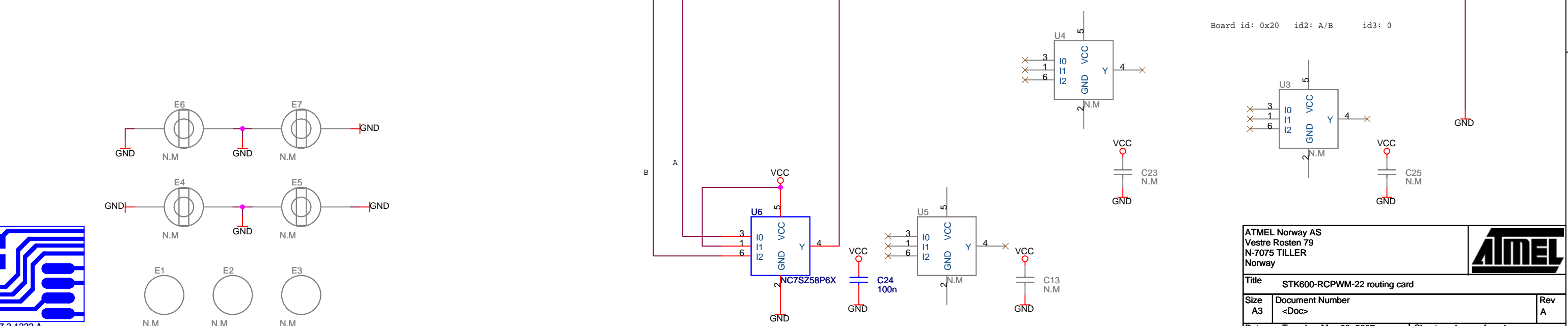
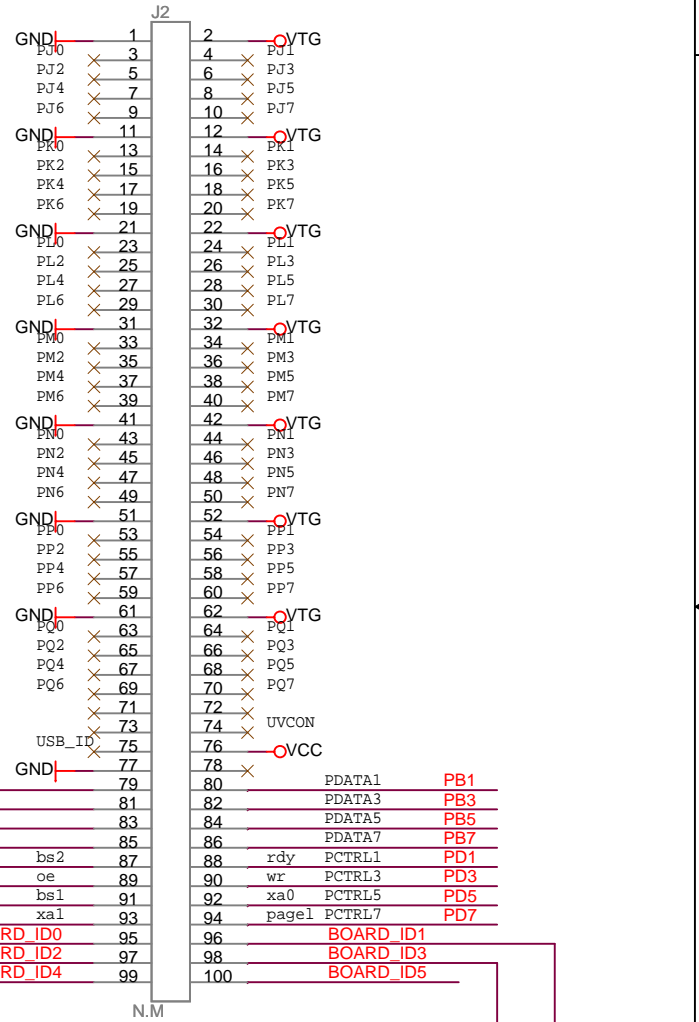
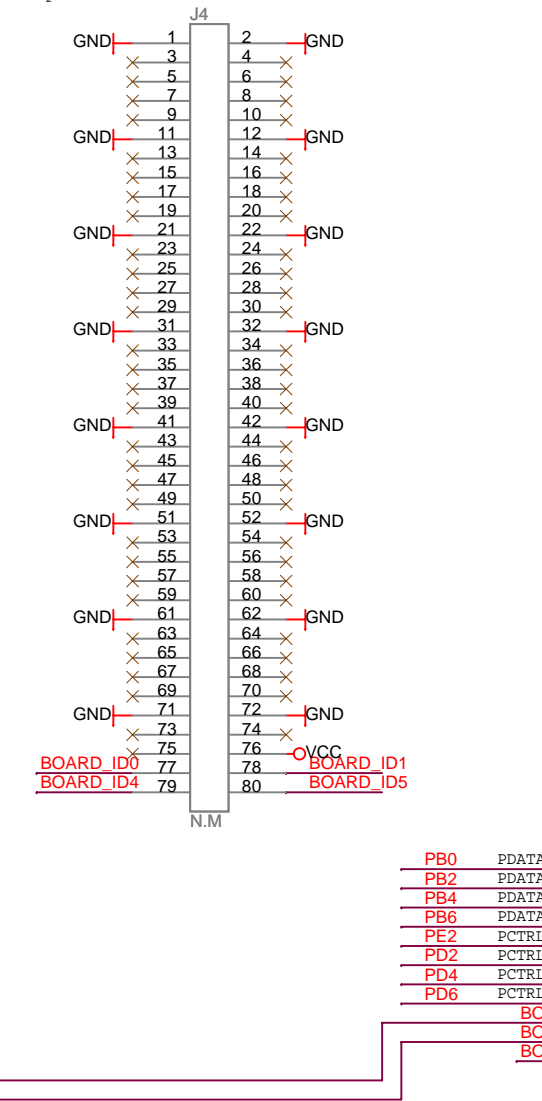
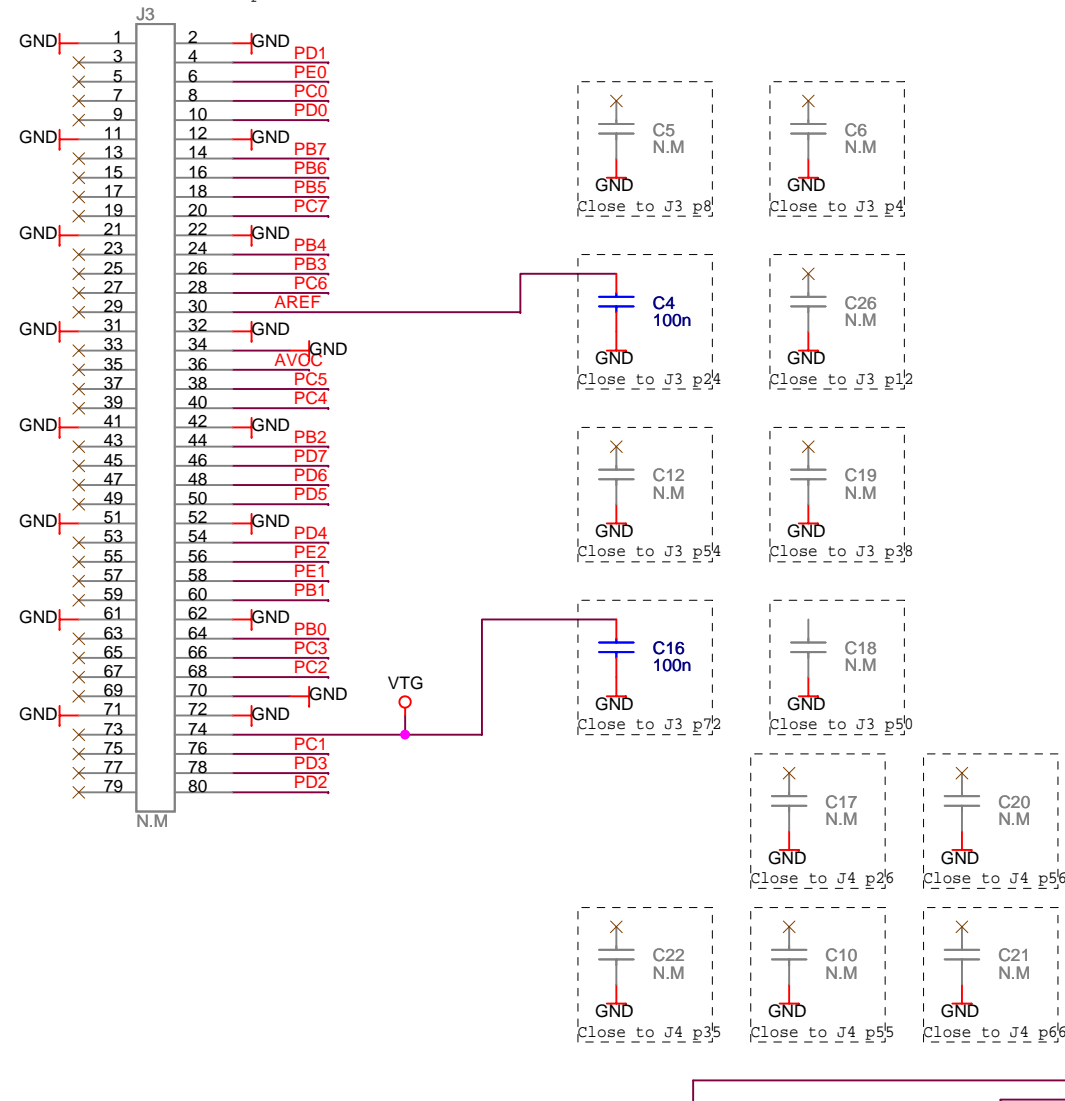
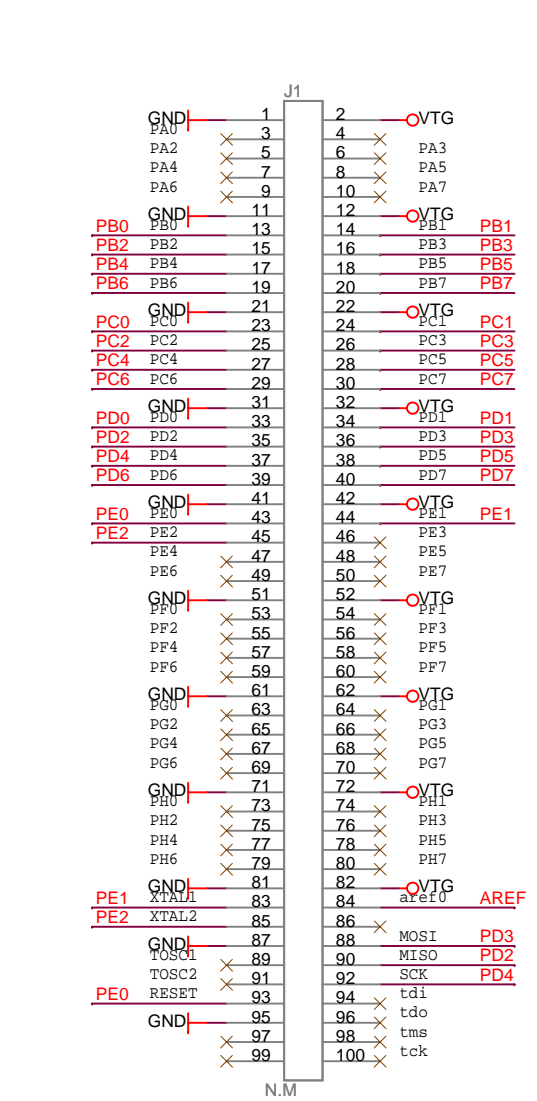
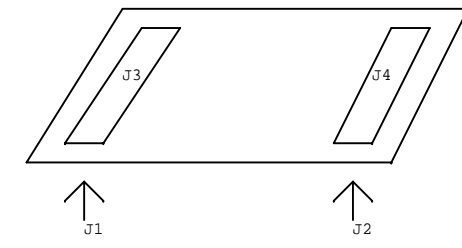
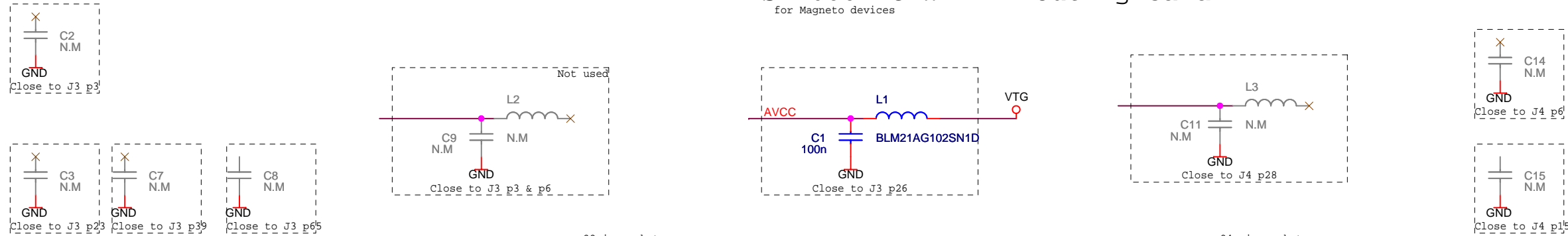


# STK600-RCPWM-22 Routing card

for Magneto devices

J3 and J4 mates up to the socket card, while J1 and J2 goes down to the mother board. J1 is physical placed below J3, and J2 below J4.



ATMEL Norway AS Vestre Rosten 79 N-7075 TILLER Norway		
Title STK600-RCPWM-22 routing card		
Size A3	Document Number <Doc>	Rev A
Date: Tuesday, May 08, 2007	Sheet 1 of 1	