

THIS DRAWING IS UNPUBLISHED. RELEASED FOR PUBLICATION
 © COPYRIGHT BY TYCO ELECTRONICS CORPORATION. ALL RIGHTS RESERVED.

| LOC | | DIST | | REVISIONS | | | |
|-----|-----|--------------------------|-----------|-----------|------|--|--|
| P | LTR | DESCRIPTION | DATE | DWN | APVD | | |
| 0 | | REVISED PER 0G3B-0992-03 | 05-MAR-04 | SH | SR | | |

D

C

B

A

D

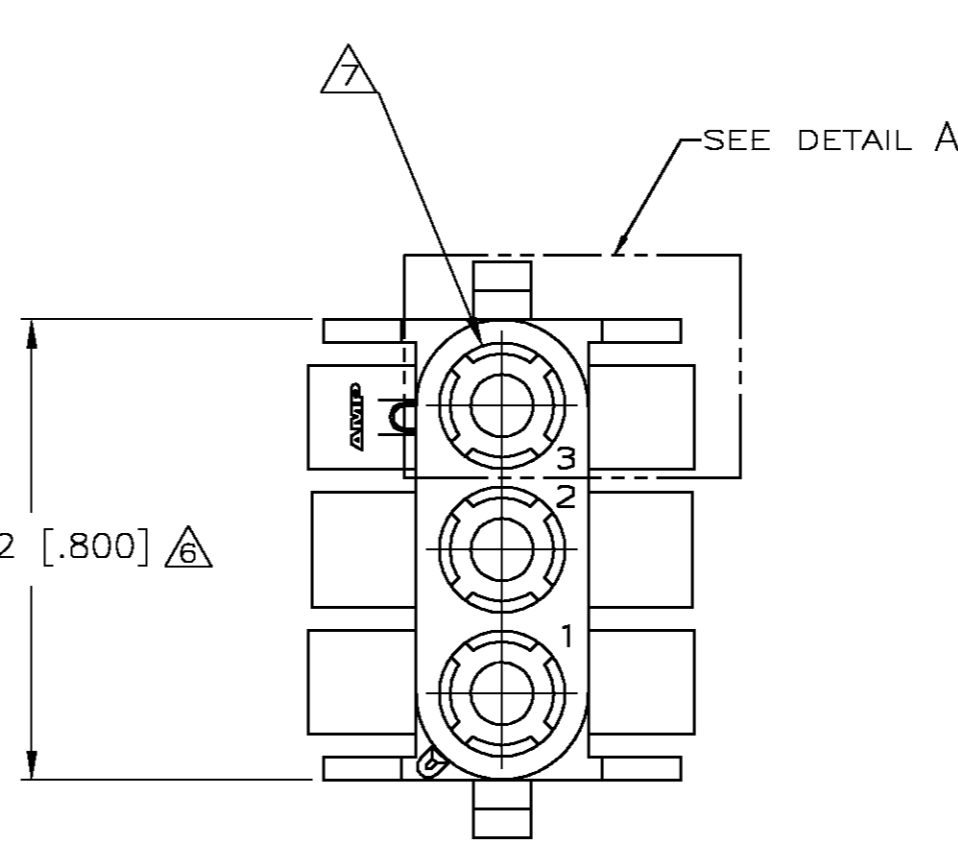
C

B

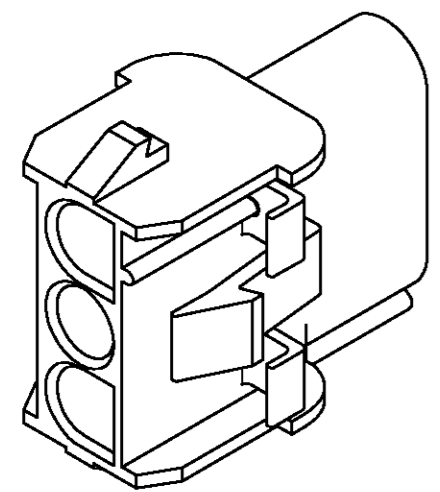
A



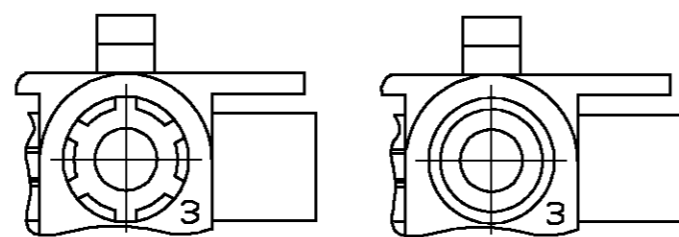
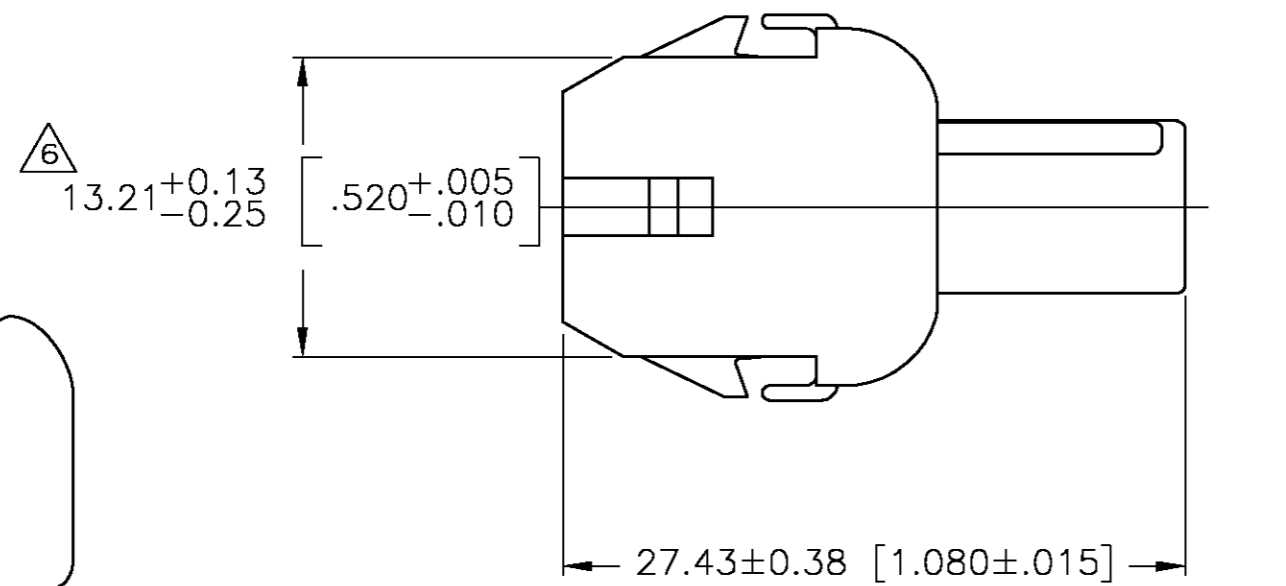
20.32 [.800] ⁶



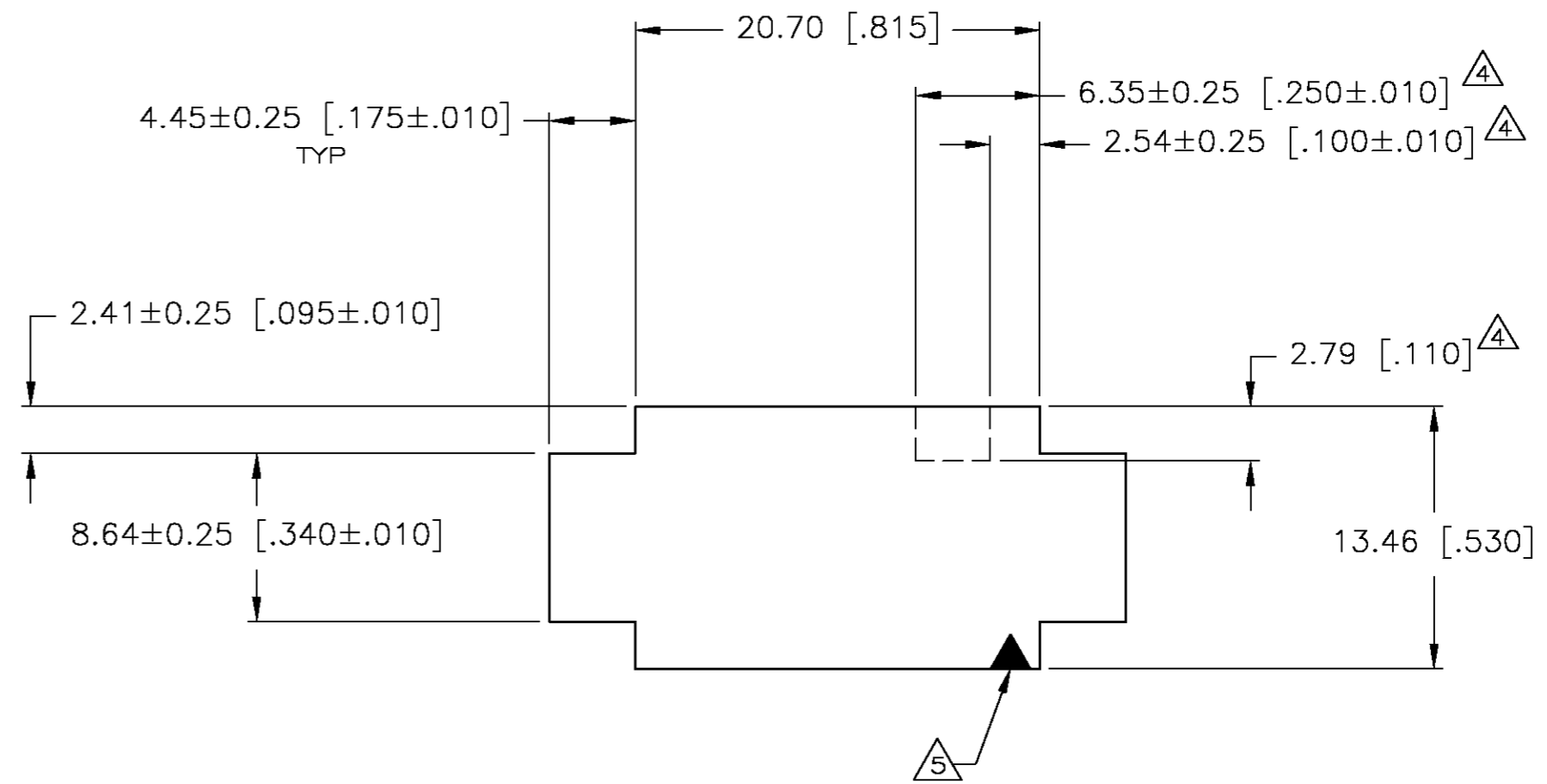
- MATES WITH APPROPRIATE UNIVERSAL MATE-N-LOK™ PLUG.
 - RECOMMENDED PANEL THICKNESS 0.76 [.030]-2.29 [.090].
 - PANEL MUST BE PUNCHED SO THAT THE HOUSING ENTERS THE PANEL IN THE SAME DIRECTION AS THE PUNCH.
- ⁴ OPTIONAL FOR KEYING HOUSING IN PANEL.
 - ⁵ CIRCUIT NUMBER 1 LOCATION.
 - ⁶ DIMENSION INDICATED IS AS MOLDED. ADDITIONAL GROWTH DUE TO SUBSEQUENT MOISTURE ABSORPTION MAY OCCUR.
 - ⁷ FOUR RIBS EQUALLY SPACED, NO SPECIFIC ORIENTATION. NO RIBS OR SIX RIBS EQUALLY SPACED, NO SPECIFIC ORIENTATION, OPTIONAL.
 - ⁸ UNDERWRITERS RECOGNIZED COMPONENT LOGO AND CSA CERTIFICATION LOGO TO BE LOCATED ONCE EACH ON SIDE OF HOUSING.



3-DIMENSIONAL MODEL NTS



DETAIL A
OPTIONAL CONSTRUCTIONS



RECOMMENDED PANEL CUT OUT

1586378

| | |
|-------|-------------|
| BLACK | 1586378-1 |
| COLOR | PART NUMBER |

| | | | | | | | | | | | | | | | | | |
|---|---------------|-----------------------------------|---|-------|---|-------|---------------|-------|---|-------|---|--------|---|--------|---|--------------|------------|
| THIS DRAWING IS A CONTROLLED DOCUMENT. | | DWN S. HOOVER 05-MAR-2004 | Tyco Electronics Corporation Harrisburg, Pa 17105-3608 | | | | | | | | | | | | | | |
| DIMENSIONS: mm [INCHES] | | CHK S. RIDGILL 05-MAR-2004 | | | | | | | | | | | | | | | |
| TOLERANCES UNLESS OTHERWISE SPECIFIED: | | APVD S. RIDGILL 05-MAR-2004 | NAME CAP, 3 CIRCUIT, UV RESISTANT UNIVERSAL MATE-N-LOK™ | | | | | | | | | | | | | | |
| <table border="0"> <tr><td>0 PLC</td><td>±</td></tr> <tr><td>1 PLC</td><td>±</td></tr> <tr><td>2 PLC</td><td>± 0.13 [.005]</td></tr> <tr><td>3 PLC</td><td>±</td></tr> <tr><td>4 PLC</td><td>±</td></tr> <tr><td>ANGLES</td><td>±</td></tr> <tr><td>FINISH</td><td>±</td></tr> </table> | | 0 PLC | ± | 1 PLC | ± | 2 PLC | ± 0.13 [.005] | 3 PLC | ± | 4 PLC | ± | ANGLES | ± | FINISH | ± | PRODUCT SPEC | SIZE A2 |
| 0 PLC | ± | | | | | | | | | | | | | | | | |
| 1 PLC | ± | | | | | | | | | | | | | | | | |
| 2 PLC | ± 0.13 [.005] | | | | | | | | | | | | | | | | |
| 3 PLC | ± | | | | | | | | | | | | | | | | |
| 4 PLC | ± | | | | | | | | | | | | | | | | |
| ANGLES | ± | | | | | | | | | | | | | | | | |
| FINISH | ± | | | | | | | | | | | | | | | | |
| MATERIAL NYLON, UL 94V-2 | | APPLICATION SPEC | CAGE CODE 00779 | | | | | | | | | | | | | | |
| METRIC | | WEIGHT | DRAWING NO C=1586378 | | | | | | | | | | | | | | |
| | | CUSTOMER DRAWING | RESTRICTED TO - | | | | | | | | | | | | | | |
| | | SCALE 4:1 | SHEET 1 OF 1 | | | | | | | | | | | | | | |
| | | | REV 0 | | | | | | | | | | | | | | |