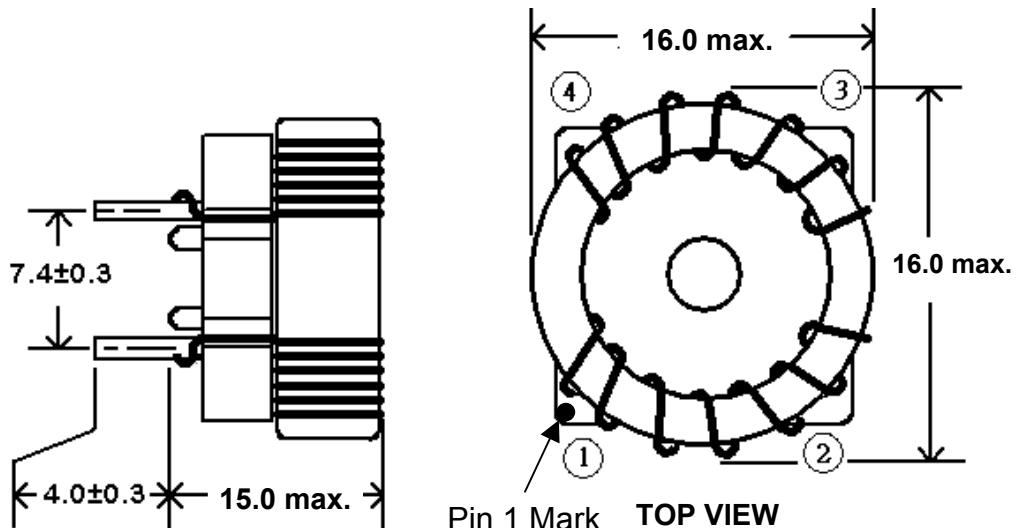
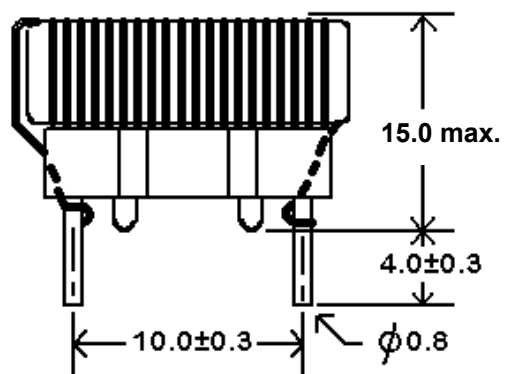
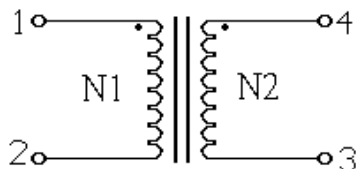


## TCK-064



SIDE VIEW



FRONT VIEW

All dimensions in mm

### SPECIFICATIONS

Inductance	Pin 1-2: 1186μH ±35%      Pin 3-4: 1186μH ±35%
	Test Condition: 100KHz/100mV Measurement Instrument: HP 4263B LCR Meter
Impedance	DCR (Max): 21.56 mΩ
	Measurement Instrument: HIOKI 3540 mΩ Hitester
Rated Current	IDC (Max): 5.8A
	Measurement Instrument: Agilent 34401A Meter
Rated Voltage	500VDC
Operating Temperature	-40°C – +105°C
Recommended Through Hole	Φ 1.0 mm

# Mouser Electronics

Authorized Distributor

Click to View Pricing, Inventory, Delivery & Lifecycle Information:

[TRACO Power:](#)

[TCK-064](#)