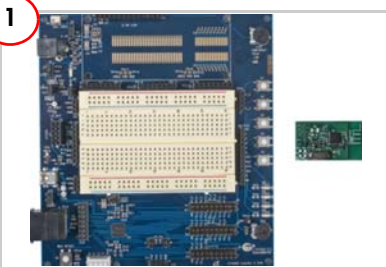


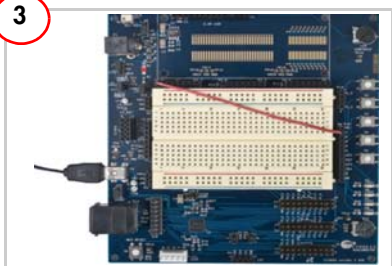
CY3660 enCoRe™ V and enCoRe™ VLV Development Kit



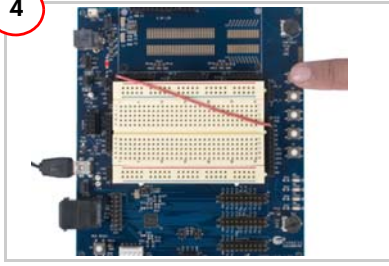
Unpack the CY3660 enCoRe™ V/LV development board and the LP radio module from the package.



1. Insert the CY3660 enCoRe V/LV DVK CD/DVD.
2. Install the kit contents, PSoc Programmer, and PSoc Designer.
3. View the User Guide

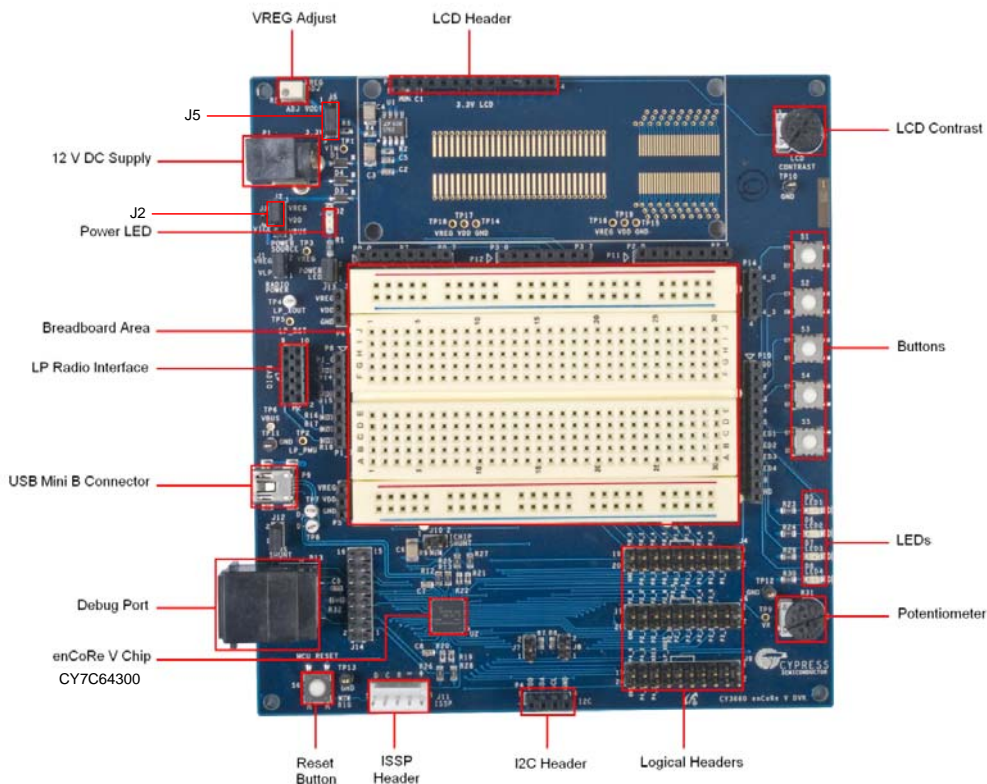


1. Place a jumper on J12 and another between V_{DD} and V_{REG} on J2.
2. Select the fixed 3.3 V V_{REG} at J5 pins 2 and 3.
3. Wire up S1 button on the board, attach a wire from P0_0 on P7 to S1 on P10.
4. Connect the Mini-B side of the USB A/Mini-B cable to the CY3660 DVK board and the A side to the PC; the board enumerates as a HID-compliant mouse in Device Manager.



1. On the PC, go to *Start > Control Panel > Mouse > Pointer Options*, and uncheck 'Enhance Pointer Precision'. Open a simple drawing application such as Paint and place the mouse pointer on it.
2. Press button S1 on the DVK board to toggle the drawing in Paint. The word 'USB' is drawn when the S1 button is pressed. Press the S1 button again to stop drawing.

CY3660 enCoRe V/LV Development Board Details



For the latest information about this kit visit
www.cypress.com/go/CY3660

