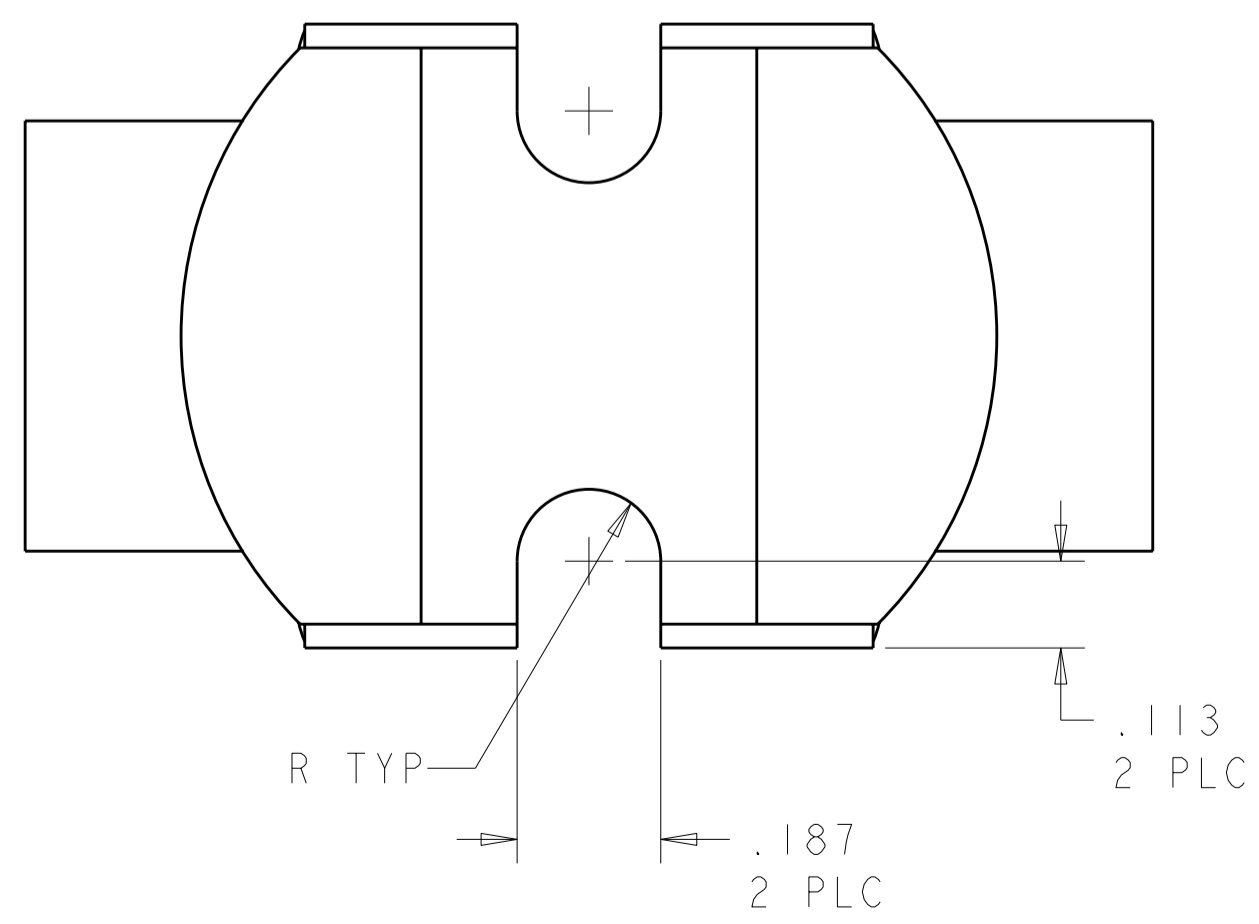
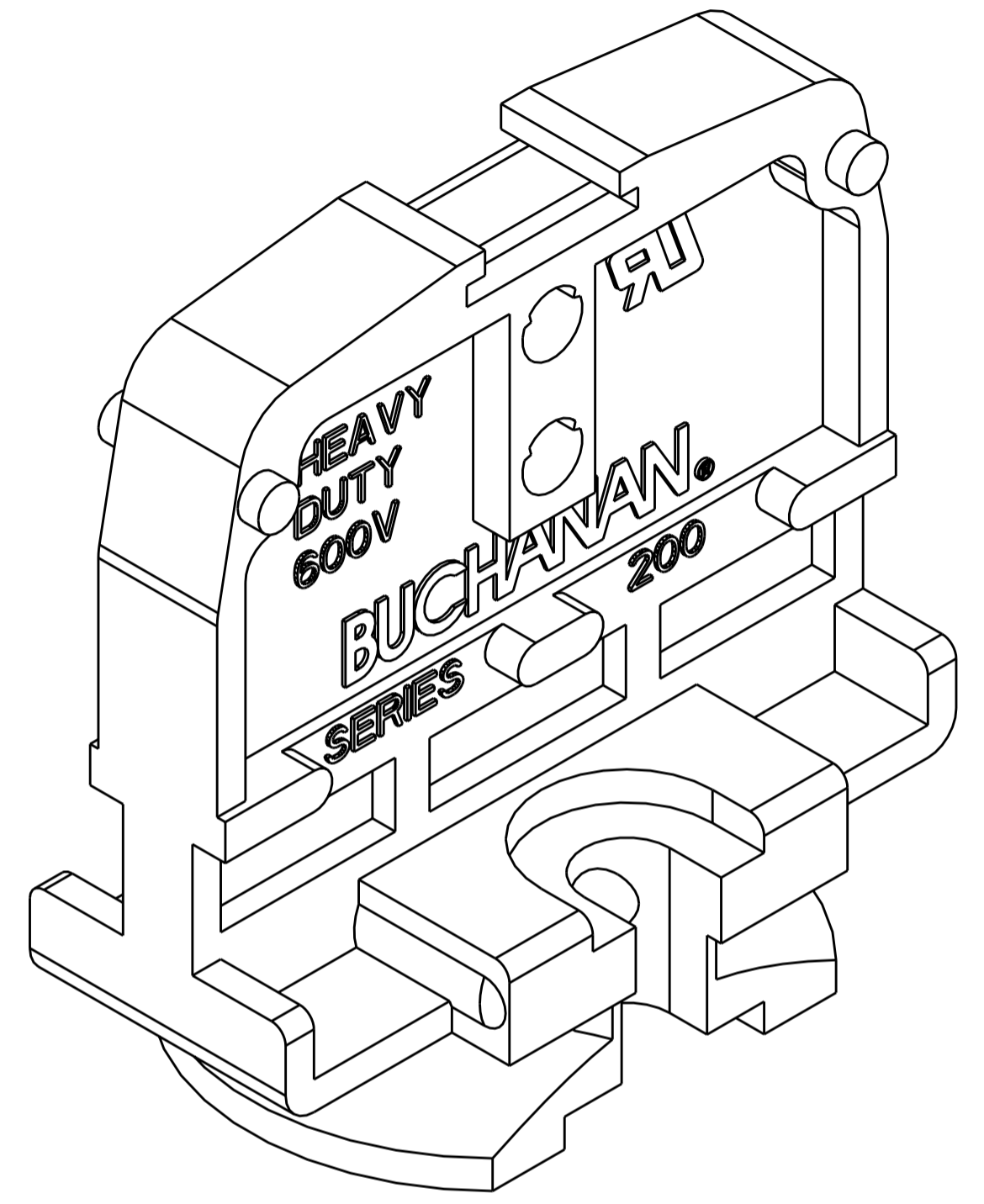
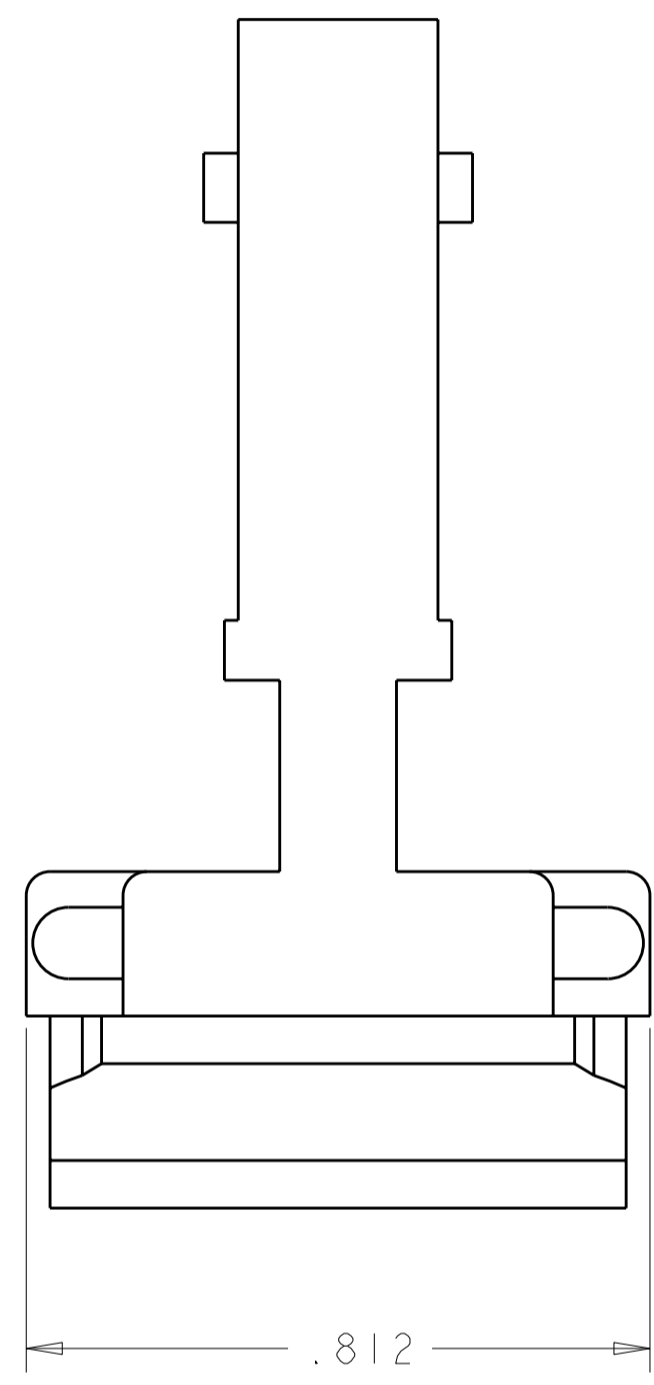
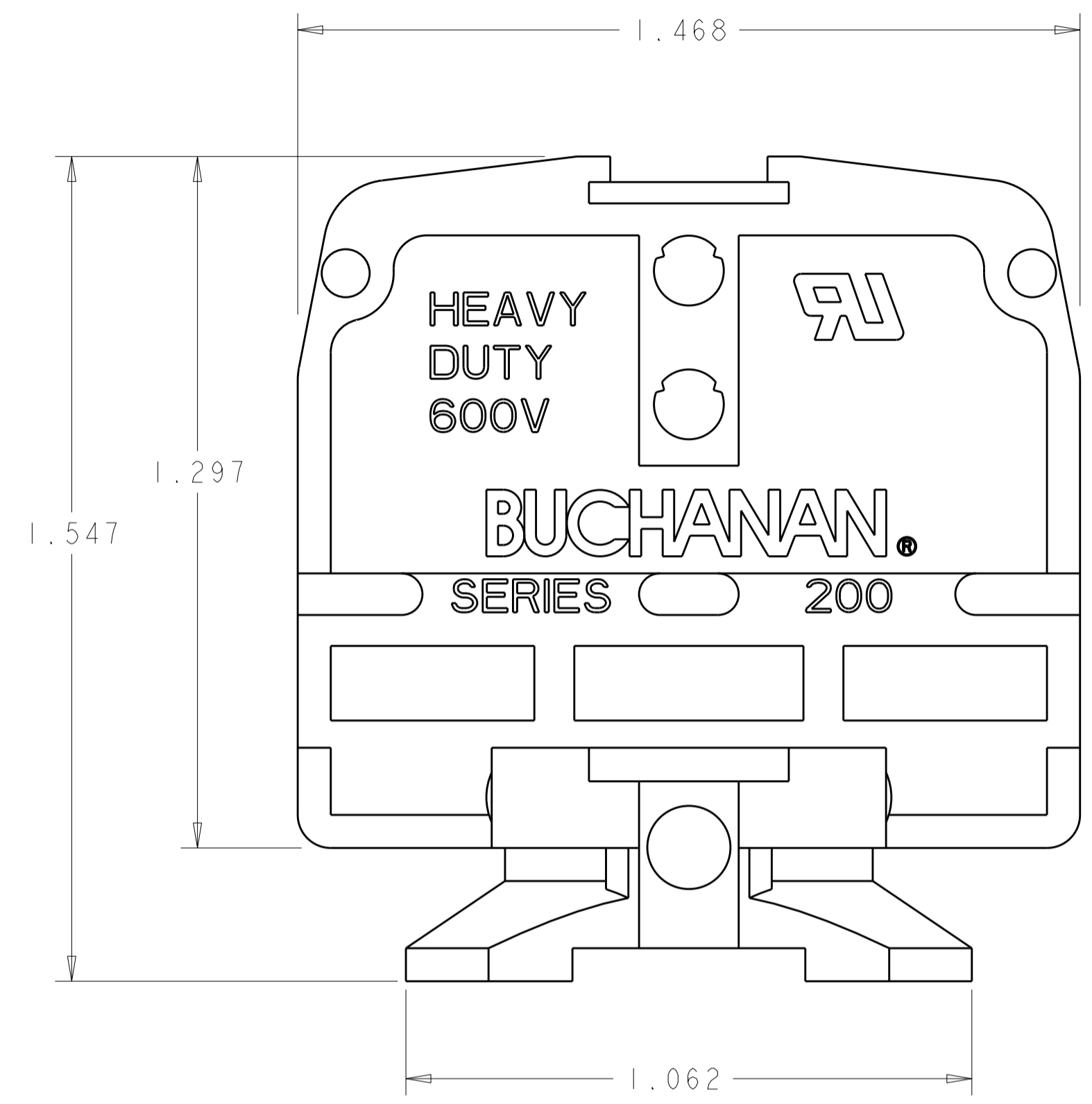


LOC		DIST		REVISIONS			
P	LTR	DESCRIPTION	DATE	DWN	APVD		
	J	REVISED ECO-05-015239	30JAN2006	SW	SY		
	JI	REVISED ECO-06-012256	25MAY2006	SW	SY		
	K	REVISED PER ECO-08-015972	30JUN2008	HMR	FD		



1. PHENOLIC, UL 94V-1 RATED, COLOR: BLACK.

1-1437390-4  
 PART NUMBER

<small>THIS DRAWING IS A CONTROLLED DOCUMENT FOR TYCO ELECTRONICS CORPORATION. IT IS SUBJECT TO CHANGE AND THE CONTROLLING ENGINEERING ORGANIZATION SHOULD BE CONTACTED FOR THE LATEST REVISION.</small>		DWN	S. WELDON	30 JAN 2006	Tyco Electronics Harrisburg, PA 17105-3608	
DIMENSIONS: INCHES		CHK	S. YODER	30 JAN 2006		
TOLERANCES UNLESS OTHERWISE SPECIFIED: 0 PLC ± 1 PLC ±0.0 2 PLC ±0.00 3 PLC ±0.010 4 PLC ±0.0000 ANGLES ± FINISH		APVD	S. YODER	30 JAN 2006		
		PRODUCT SPEC				
MATERIAL	-	APPLICATION SPEC			NAME	END MOUNTING SECTION HEAVY DUTY, DOVETAIL BASE
		WEIGHT			SIZE	A200779
		CUSTOMER DRAWING			CAGE CODE	C-1447855
		SCALE	4:1	SHEET	OF	REV K