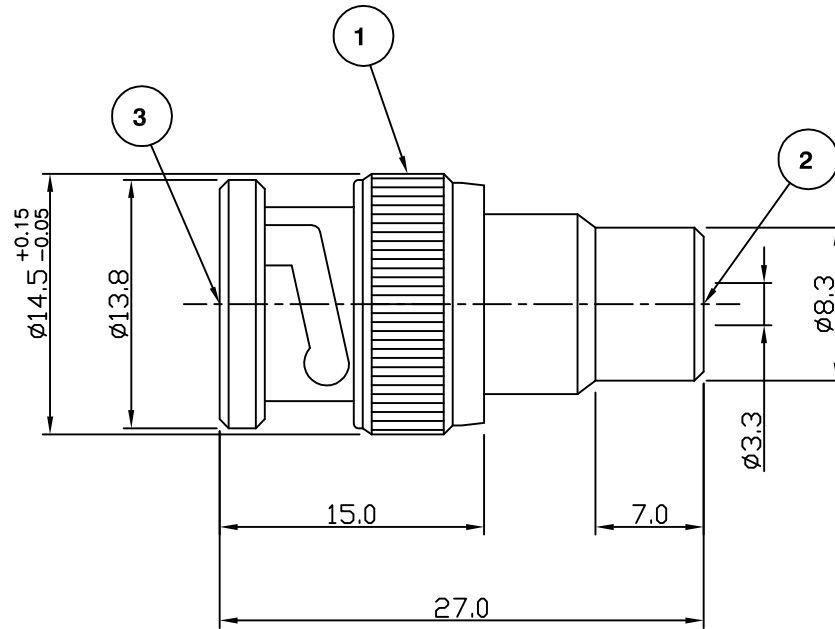


RoHS COMPLIANT



Electrical Characteristics

Nominal Impedance: 50 ohms
 Frequency Range: DC to 300 MHz
 Operating Voltage (rms): 500 V maximum at sea level
 Dielectric Withstand Voltage (rms): 1500 V maximum at sea level
 Contact Resistance: 3.0 milliohms maximum
 Insulation Resistance: 10000 megohms minimum

Mechanical Characteristics

Mating Cycles: 500 cycles minimum
 Interface Dimensions: Conform to MIL-C-39012

Environmental Characteristics

Temperature Range: -55 °C to +85 °C

| | PART | DESCRIPTION |
|---|------------|----------------------|
| 1 | Body | Brass, nickel plated |
| 2 | Dielectric | POM |
| 3 | Contact | Brass, gold plated |

| | | | |
|-------------------------|-------|-----|-----------|
| Amended Dimentions | KA | 3 | 30 Aug 07 |
| CAD Issue | SN | 2 | 16 Aug 02 |
| First Issue | AT | 1 | 04 Feb 98 |
| DESCRIPTION OF REVISION | APPVD | ISS | DATE |



Cinch Connectivity Solutions
 7-13 Russel Way,
 Widford Industrial Estate,
 Chelmsford, Essex,
 CM1 3AA, UK.
 Tel: +44 (0) 1245 359515
 Fax: +44 (0) 1245 358938

SCALE: Not To Scale

DIMENSIONS: mm

TOLERANCES:
 ± 0.2mm unless
 otherwise stated

DRAWN BY:

S Nash

CHECKED BY:

M Spooner

APPROVED BY:

M Spooner

DATE:

16 Aug 02

TITLE:

BNC Plug to Phono Jack

PART NUMBER:

VA206

PAGE: 1 of 1