

## DETAILS

<b>Product Number</b>	FP11856_LISA2-O-90-CLIP
<b>Family</b>	Lisa2
<b>Type</b>	Assembly
<b>Color</b>	black
<b>Diameter</b>	9.9 mm
<b>Height</b>	6.8 mm
<b>Style</b>	round
<b>Optic Material</b>	PMMA
<b>Holder Material</b>	PC
<b>Fastening</b>	clips, glue
<b>Status</b>	ready
<b>ROHS Compliant</b>	Yes
<b>Date Updated</b>	14/08/2015



## OPTICAL PROPERTIES

LED	Viewing	Light	Effi-		
	Angle	Beam	ciency	cd/lm	Connector
Double Dome (GM2BB)	sim: 48+20	O-90	-	-	-
XQ-E	sim: 40+13	O-90	sim: 86 %	sim: 3.500	-
LUXEON Z ES	18+49 deg	O-90	80 %	2.200	-
XP-E	48+18 deg	O-90	83 %	sim: 0.000	-
XP-G	48+18 deg	O-90	86 %	-	-

D

C

B

A

4

4

3

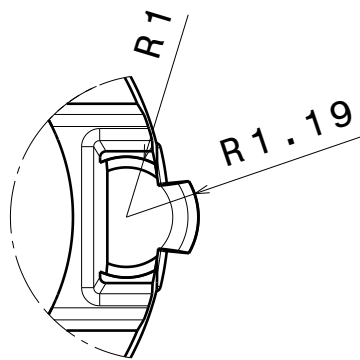
3

2

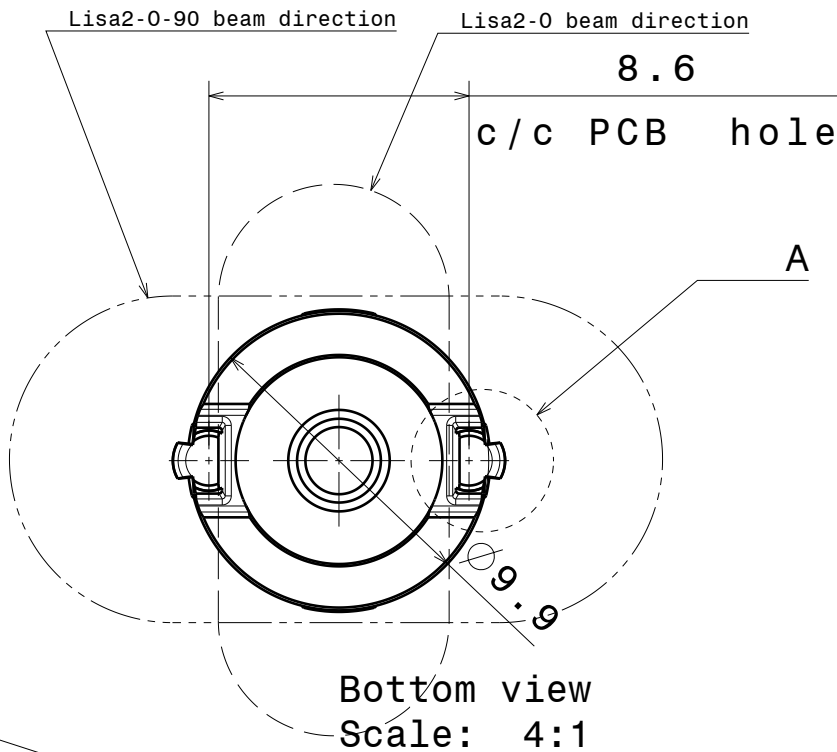
2

1

1



Detail A  
Scale: 8:1



Bottom view  
Scale: 4:1

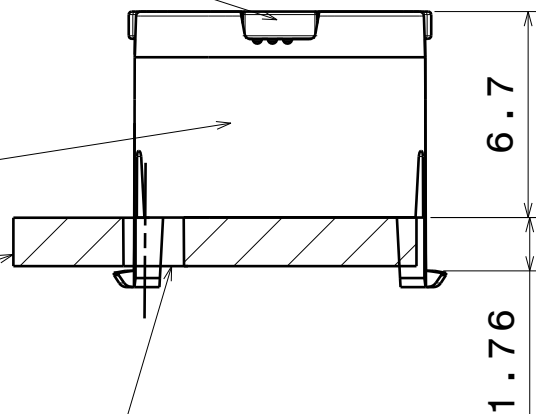
Lens

Holder

Reference PCB

Materials:  
Lens PMMA  
Holder PC

Note:  
Take tolerances  
into account  
when specifying  
positioning  
holes for PCB



Front view  
Scale: 4:1

This drawing is our property.  
It can't be reproduced  
or communicated without  
our written agreement.



Ledil Oy  
Tehdaskatu 13  
FIN-24100 SALO  
Finland

DRAWING TITLE

Datasheet Lisa2-clip16-0SL series Assy

DRAWN BY  
ch

DATE  
20.7.2011

CHECKED BY  
sn

DATE  
20.7.2011

SIZE  
A4

DRAWING NUMBER

REV  
2

DESIGNED BY  
hh

DATE  
19.10.2009

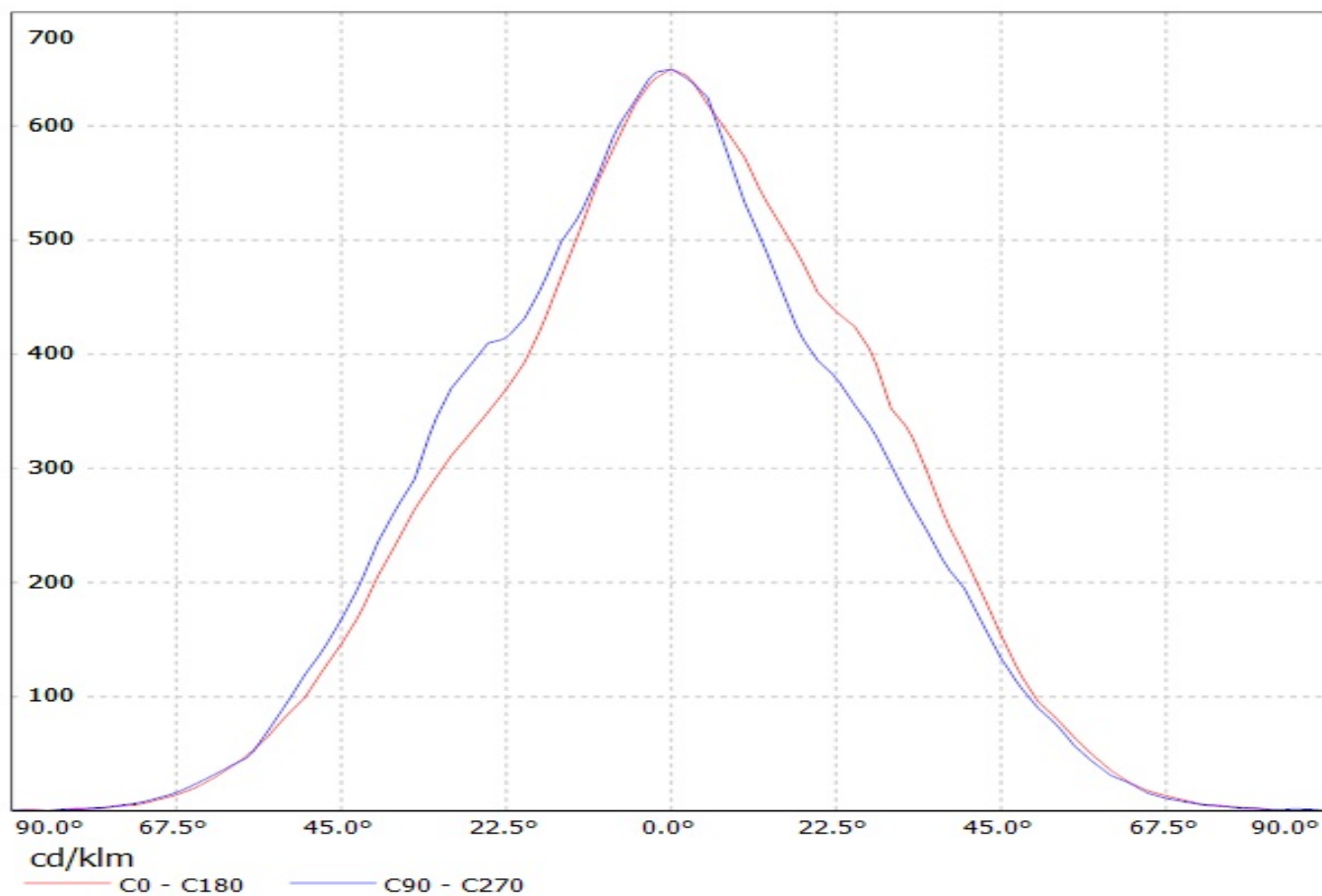
SCALE 4:1 WEIGHT (g)

SHEET 1/1

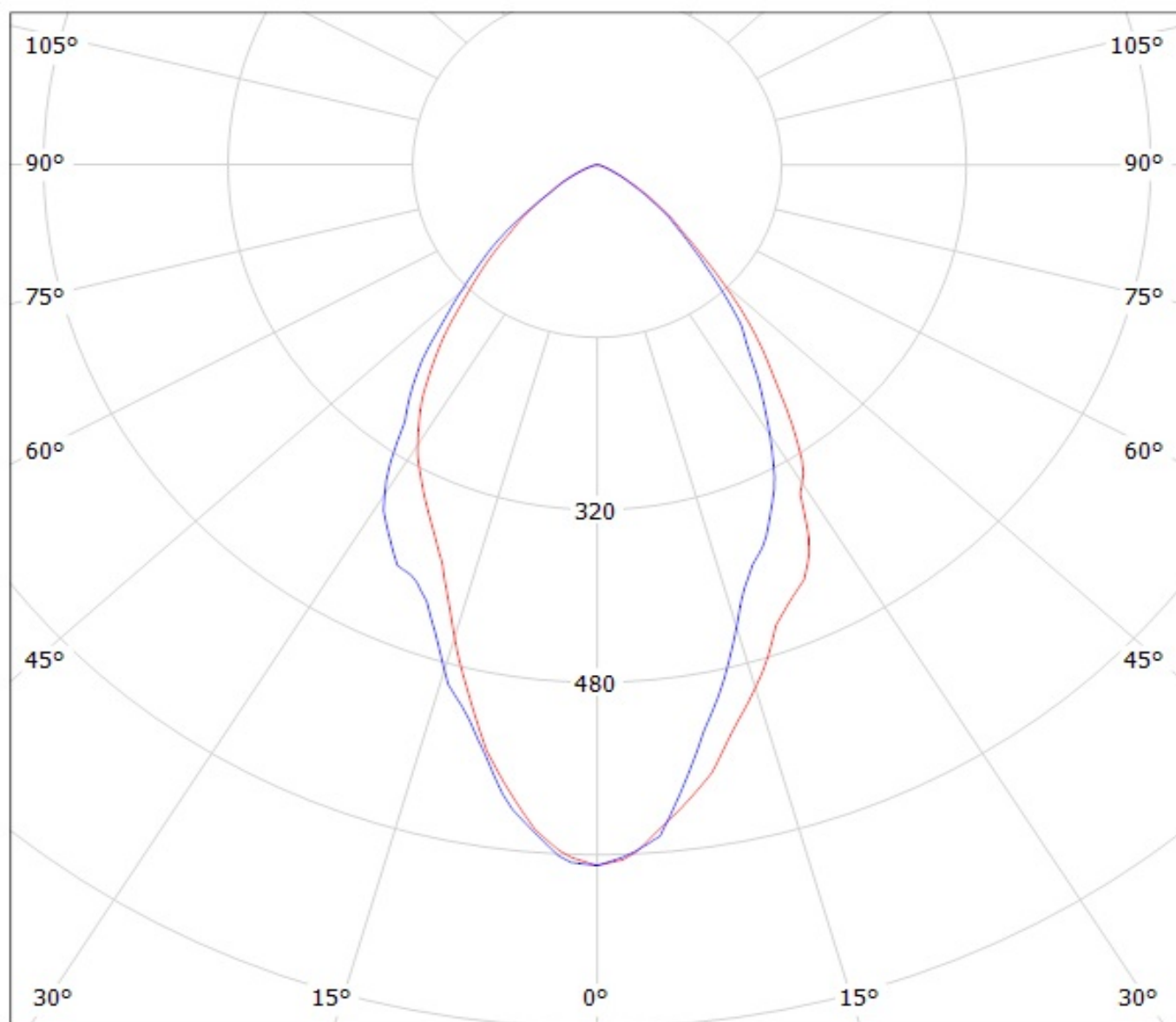
D

A

Luminaire: Ledil Oy FP11957 & FP11958\_LISA2-WWW (Osram Oslon 80 79lm @ 250mA) Efficiency=74%  
Lamps: 1 x Osram Oslon 80 79lm @ 250mA



Luminaire: Ledil Oy FP11957 & FP11958\_LISA2-WWW (Osram Oslon 80 79lm @ 250mA) Efficiency=74%  
Lamps: 1 x Osram Oslon 80 79lm @ 250mA



cd/klm

— C0 - C180

— C90 - C270

**NOTE: The typical divergence will be changed by different color, chip size and chip position tolerance. The typical total divergence is the full angle measured where the luminous intensity is half of the peak value.**