

### Features

- Through-hole unit
- Isolation voltage of 1500 Vrms
- Low interwinding capacity
- Lead free version available (see How to Order)
- Lead free versions are RoHS compliant\*

### Applications

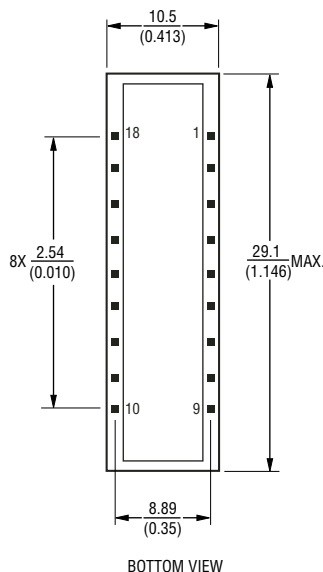
- Telecom

## PT66001 & PT66012 - ISDN S-Interface Transformer

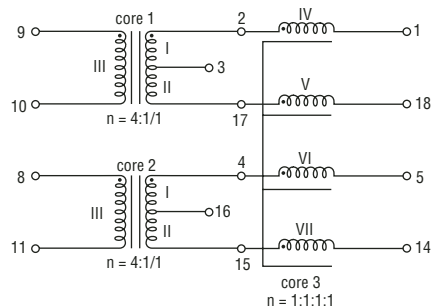
### Electrical Specifications @ 25 °C

Turns Ratio  $\pm 1\%$  (III:I+II) ..see schematic  
 Impedance at 20 kHz 100 mV  
 with IDC=3 mA (core 1,2)  
 ohm min.....625  
 OCL at 10 kHz 100 mV(mH min)  
 Transformer (core1,2).....22  
 Choke IV,V,VI,VII +50/-30 % .....5  
 Interwinding Capacity (10 kHz 100 mV)  
 CWW (pF max) (core 1,2).....120  
 Leakage Inductance (10 kHz 100 mV)  
 Ls (uH)  
 I+II(III shorted) core 1,2.....< 4  
 IV(V,VI,VII shorted) core 3 .....< 0.6  
 HIPOT 50 Hz for 2 sec. (Vrms)  
 I+II to III (core 1,2) .....1500  
 IV+V+III (core 1) to  
 VI+VII+III (core 2) .....500  
 DCR III (ohms max.)  
 PT66001 .....5.6  
 PT66012 .....5.0  
 DCR I+II (ohms max.)  
 PT66001 .....2.7  
 PT66012 .....2.4  
 DCR IV,V,VI,VII (ohms max.) .....1.1  
 Operating Temperature (°C) .....0 to +70

### Product Dimensions



### Electrical Schematic



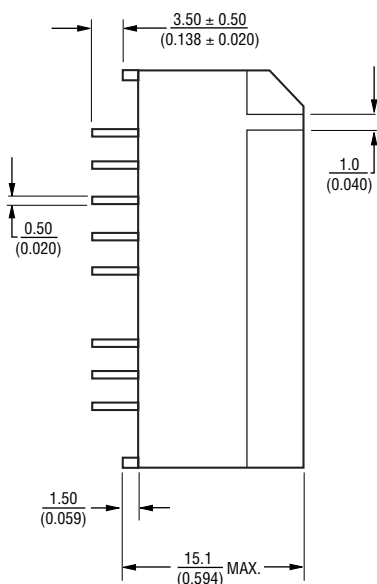
### How to Order

Model \_\_\_\_\_ **PT660xx**

Termination \_\_\_\_\_  
 Blank = Tin-lead  
 L = Tin only (lead free)

### Packaging Specifications

Tube .....15 pcs./tube



DIMENSIONS ARE:  $\frac{\text{MM}}{\text{(INCHES)}}$

TOLERANCE:  $\pm \frac{0.2}{(.008)}$