

EZ-BLE™ PRoC™ EVALUATION BOARD



The EZ-BLE™ PRoC™ Evaluation Board (CYBLE-022001-EVAL) enables you to evaluate and develop applications on the EZ-BLE PRoC Module (CYBLE-022001-00). The EZ-BLE PRoC Module is a fully-integrated, fully-certified, 10 mm x 10 mm x 1.8 mm, programmable, Bluetooth® Smart module designed to reduce your time-to-market.

For more information visit:

www.cypress.com/EZ-BLEPRoCModule - The EZ-BLE PRoC Module home page.

www.cypress.com/EZ-BLEPRoCEval - The EZ-BLE PRoC Evaluation Board kit page.

www.cypress.com/go/AN96841 - The getting started guide.

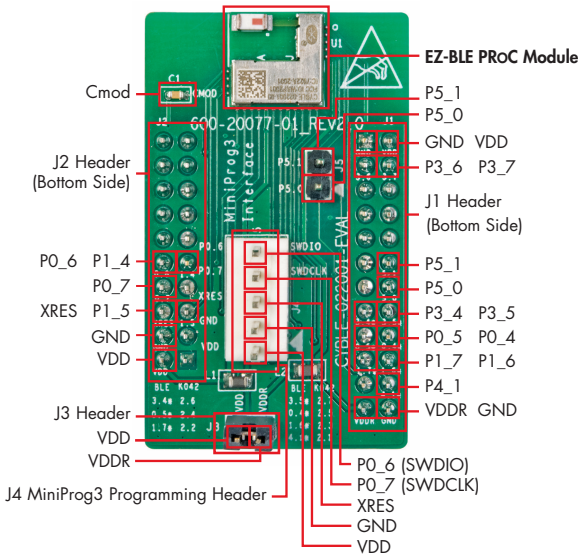
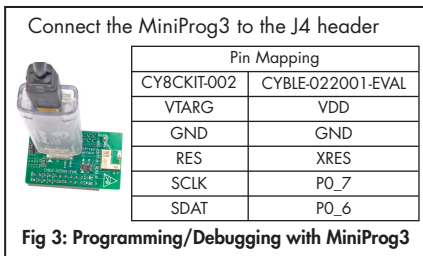
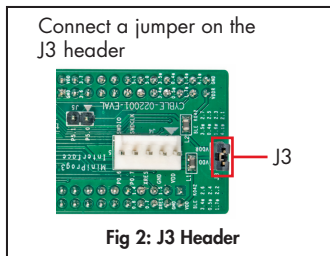


Fig 1: CYBLE-022001-EVAL Pinout Description

Note: To use the CYBLE-022001-EVAL you must separately purchase either the CY8CKIT-002 MINIPROG3 or the CY8CKIT-042-BLE BLE PIONEER KIT.

EZ-BLE™ PROc™ EVALUATION BOARD

1: Connect the CYBLE-022001-EVAL to the CY8CKIT-002 (MiniProg3)



OR
 Plug the CYBLE-022001-EVAL on the CY8CKIT-042-BLE baseboard.
 Note: Jumper on CYBLE-022001-EVAL's J3 header can be connected or disconnected.

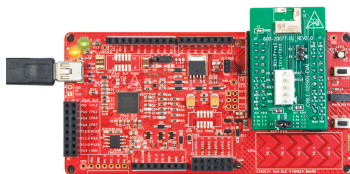


Fig 4: Programming and debugging with CY8CKIT-042-BLE BLE Pioneer Kit Baseboard

Pin Mapping between CY8CKIT-042-BLE (Base) and CYBLE-022001-EVAL (Eval)							
(Base)	(Eval)	(Base)	(Eval)	(Base)	(Eval)	(Base)	(Eval)
GND	GND	P2_4	P0_5	P2_3	P1_6	P3_7	P3_7
VDDD, VDDDA	VDD	P0_6	P0_6	P2_2	P1_7	P2_1	P4_1
VDDR	VDDR	P0_7	P0_7	P2_6	P3_4	P5_0	P5_0
XRES	XRES	P1_4	P1_4	P2_7	P3_5	P5_1	P5_1
P2_5	P0_4	P1_5	P1_5	P3_6	P3_6		

2: Create a project using the CYBLE-022001-00 MPN and program/debug using PSoC® Creator™ 3.1 SP2 (or above)

The EZ-BLE PROc Module is qualified for the Bluetooth 4.1 specification and is certified for the 2.4 GHz unlicensed frequency range in USA (FCC), Canada (IC), Europe (CE), Japan (TELEC) and Korea (KC).

Visit www.cypress.com/go/support for technical support