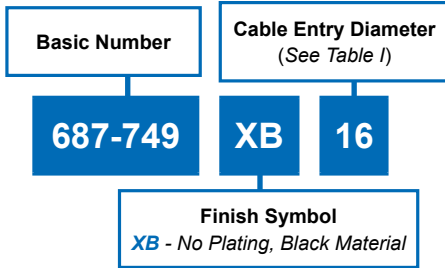
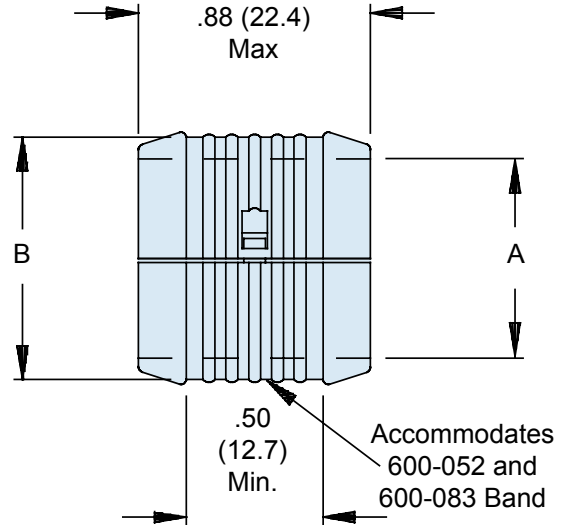
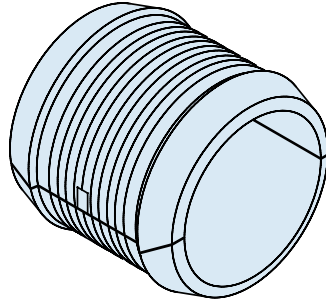


**687-749**  
**Composite AS85049/93**  
**Banding Split-Ring**



For Use with Glenair  
 Banding Backshells  
 and Braid Socks

Consult Factory for  
 Information on Other  
 Split Ring Designs and  
 Part Numbers



**TABLE I: DASH NUMBER**

Dash No.	A Diameter $\pm .03 (0.8)$	B Diameter $\pm .03 (0.8)$
04	.25 (6.4)	.36 (9.1)
06	.38 (9.7)	.49 (12.4)
08	.50 (12.7)	.61 (15.5)
10	.63 (16.0)	.74 (18.8)
12	.75 (19.1)	.86 (21.8)
14	.88 (22.4)	.99 (25.1)
16	1.00 (25.4)	1.10 (27.9)
18	1.13 (28.7)	1.24 (31.5)
20	1.25 (31.8)	1.36 (34.5)
22	1.38 (35.1)	1.49 (37.8)
24	1.50 (38.1)	1.61 (40.9)
26	1.63 (41.4)	1.74 (44.2)
28	1.75 (44.5)	1.86 (47.2)

**APPLICATION NOTES**

- 687-749 supercedes and replaces 687-207 split ring.
- Metric dimensions (mm) are in parentheses and are for reference only.

**D**

**EXAMPLE APPLICATION**

