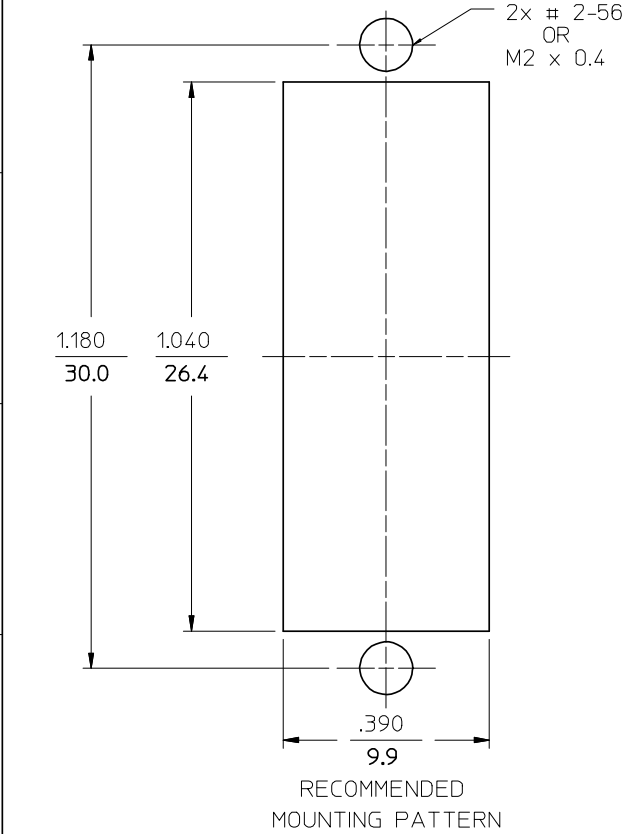
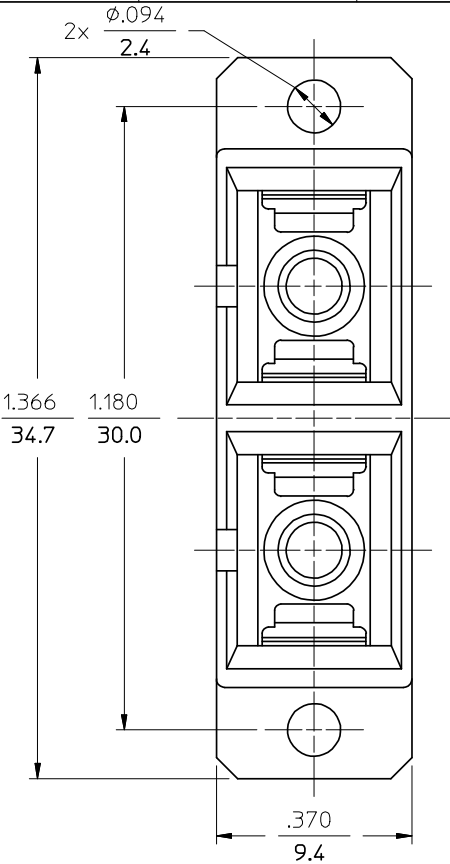
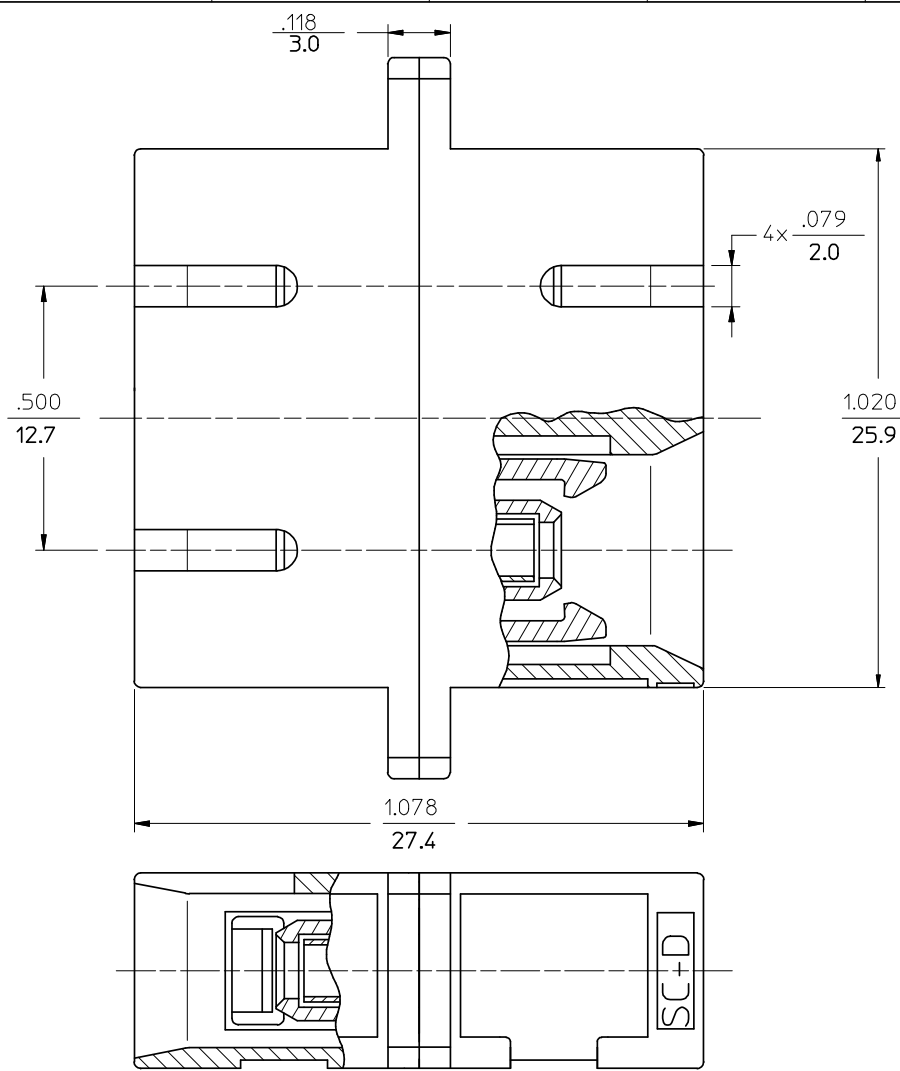


P/N OF ADAPTER	MATERIAL OF SLEEVE	TYPE	COLOR
106166-0000	ZR	SINGLE MODE	BLUE
106167-0000	PHOSPHOR BRONZE		
106167-0090			
106166-0010	ZR	MULTIMODE	BEIGE
106167-0010	PHOSPHOR BRONZE		BLACK
106166-0030	ZR		
106167-0030	PHOSPHOR BRONZE	SINGLE MODE	RED
106166-0040	ZR		APC
106167-0040	PHOSPHOR BRONZE		
106166-0050	ZR	MULTIMODE	AQUA
106167-0050	PHOSPHOR BRONZE		BEIGE
106167-0070			
106167-0075	PHOSPHOR BRONZE	MULTIMODE	BEIGE
106167-0080			



NOTES
 1. DUST CAPS ARE NOT SHOWN BUT ARE INCLUDED.
 P/N'S 106167-0075, 106167-0080 AND 106167-0090 ARE BULK PACKED IN QUANTITIES OF 100 PCS.

ENTER DESCRIPTION EC NO: MF2008-0519 DRWN:KPEVZNER CHKD: APPR: LGUMIN REV DESCRIPTION	QUALITY SYMBOLS = 0 = 0	GENERAL TOLERANCES (UNLESS SPECIFIED) <table border="1"> <tr> <th></th> <th>mm</th> <th>INCH</th> </tr> <tr> <td>4 PLACES</td> <td>±---</td> <td>±---</td> </tr> <tr> <td>3 PLACES</td> <td>±---</td> <td>±---</td> </tr> <tr> <td>2 PLACES</td> <td>±---</td> <td>±---</td> </tr> <tr> <td>1 PLACE</td> <td>±---</td> <td>±---</td> </tr> </table>		mm	INCH	4 PLACES	±---	±---	3 PLACES	±---	±---	2 PLACES	±---	±---	1 PLACE	±---	±---	DIMENSION STYLE IN/MM DRAWN BY: RPACIFICI DATE: 2006/01/24 CHECKED BY: DATE: APPROVED BY: DATE:	SCALE: 4:1 DESIGN UNITS: INCH THIRD ANGLE PROJECTION	TITLE: DUPLEX ADAPTER (SC-D)
		mm	INCH																	
	4 PLACES	±---	±---																	
	3 PLACES	±---	±---																	
2 PLACES	±---	±---																		
1 PLACE	±---	±---																		
DRAFT WHERE APPLICABLE MUST REMAIN WITHIN DIMENSIONS	MATERIAL NO.: SEE TABLE SIZE: B	DOCUMENT NO.: SD-10616X-00X0 SHEET NO.: 1 OF 1	MOLEX INCORPORATED THIS DRAWING CONTAINS INFORMATION THAT IS PROPRIETARY TO MOLEX INCORPORATED AND SHOULD NOT BE USED WITHOUT WRITTEN PERMISSION																	