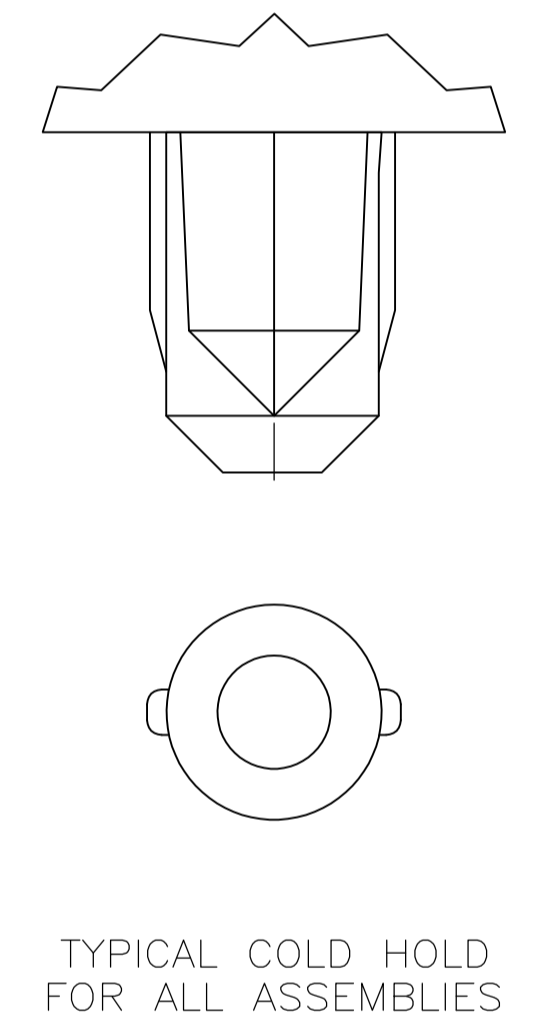
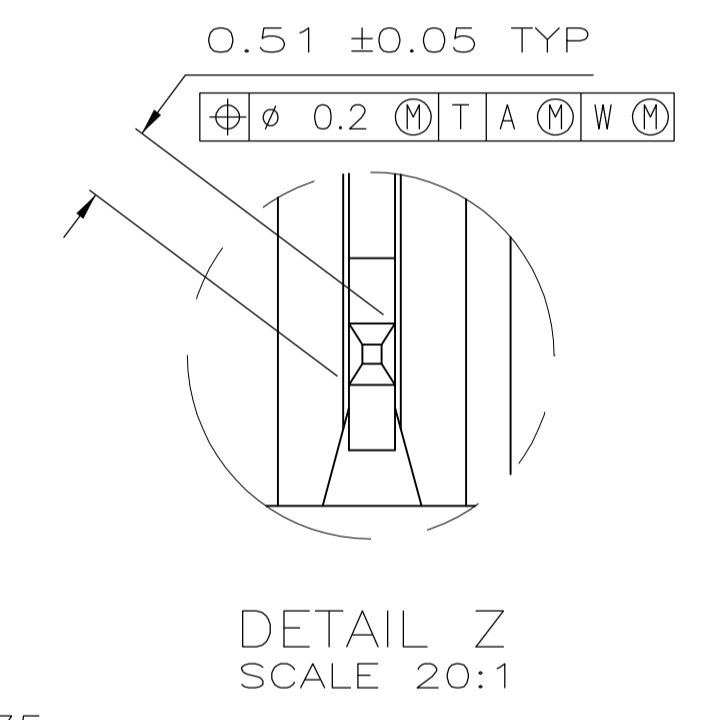


- 1 HOUSING MATERIAL: LIQUID CRYSTAL POLYMER
COLOR: NATURAL.
- 2 CONTACT MATERIAL: PHOSPHOR-BRONZE.
- 3 CONTACT FINISH:
UNDERPLATE (ENTIRE CONTACT) -
0.00127 MIN. NICKEL
ON MATING SURFACES-
CONFORMS TO ALL TESTING SPECIFIED FOR TELCORDIA
UNCONTROLLED ENVIRONMENT
ON LEADS-
0.00381 MIN. TIN-LEAD, OVER UNDERPLATE
LUBRICATION (ENTIRE CONTACT)
SURFACE CONDITIONER PER AMP SPEC. 112-1002 AFTER PLATING.
- 4 PART MARKING PER AMP INCORPORATED SPECIFICATION 115-9009, LOCATED
APPROXIMATELY AS SHOWN.
- 5 OBSOLETE PARTS: OBSOLETE CIS STREAMLINING PER D.RENAUD/D.SINISI



RECOMMENDED CIRCUIT PATTERN PER IPC-D300 TYPE II, CLASS C (COMPONENT SIDE)

	NO	34	17	35.88	3	72	1-536507-1
	NO	130	65	131.88	3	264	1-536507-0
	NO	106	53	107.88	3	216	536507-9
	NO	118	59	119.88	3	240	536507-8
	NO	70	35	71.88	3	144	536507-7
	NO	58	29	59.88	3	120	536507-6
	NO	82	41	83.88	3	168	536507-5
	NO	94	47	95.88	3	192	536507-4
	NO	46	23	47.88	3	96	536507-3
	NO	22	11	23.88	3	48	536507-2
	YES	10	5	11.88	3	24	536507-1
POSITIONING PEGS	C	B	A	FINISH	NO OF POSN	PART NUMBER	

THIS DRAWING IS A CONTROLLED DOCUMENT. DIN D.R.BENDER / 08/06/92
 CJK BC 01/26/93
 S.HEADER NAME
 APVD D. PEOPLES 01/26/93
 PRODUCT SPEC
 APPLICATION SPEC
 MATERIAL 1 2 3
 FINISH 3

RECEPTACLE ASSEMBLY, SIGNAL MODULE, Z-PACK 2mm FB, 4 ROW, 2.73mm LEAD LENGTH

SIZE A1 00779 C=536507
 WEIGHT --
 CUSTOMER DRAWING SCALE 4:1 SHEET 1 OF 1 REV AA4