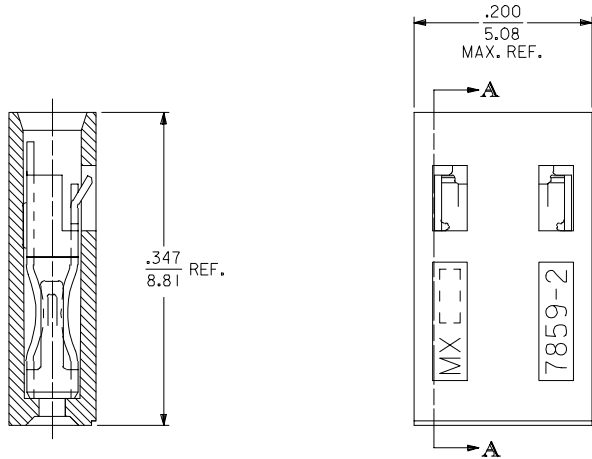
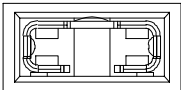
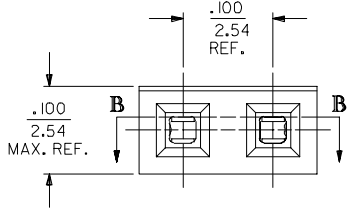


ENG NO.	FINISH
7859-1024	TIN OVERALL



**SECTION A-A**

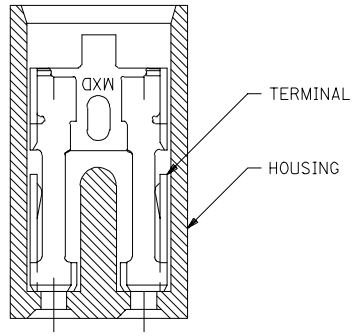


**FINISH SPECIFICATION**

TIN OVERALL - .000150 MINIMUM TIN PLATE OVER  
 .000050 MINIMUM NICKEL UNDERPLATE.  
 15 GOLD - .000015 MINIMUM GOLD PLATE IN SELECT AREA OVER  
 .000050 MINIMUM NICKEL UNDERPLATE OVERALL.  
 30 GOLD - .000030 MINIMUM GOLD PLATE IN SELECT AREA OVER  
 .000050 MINIMUM NICKEL UNDERPLATE OVERALL.

**PART IDENTIFICATION:**

7859-102\*  
 └ PLATING SPECIFICATION



**SECTION B-B**

**NOTES:**

- MATERIAL:  
 HOUSING: GLASS FILLED POLYESTER: 94V-0: COLOR: BLACK  
 TERMINAL: PHOSPHOR BRONZE ALLOY
- THIS PRODUCT CONFORMS TO MOLEX PRODUCT SPEC:  
 PS-7859.
- TO BE USED WITH: .025/0.64 SQUARE PINS.
- MINIMUM MATING PIN LENGTH: .200/5.08.
- PRODUCT IN PACKAGED IN BOXES PER PK-70873-0815.

INITIAL RELEASE FC NO: UCP2006-1496 DRAWNSMART 2006/01/17 CHKD:BBARKER 2006/01/17 APPR:SMILLER 2006/01/19 REV: A	DESCRIPTION QUALITY SYMBOLS ▽=0 ▽=0	GENERAL TOLERANCES (UNLESS SPECIFIED)		DIMENSION STYLE IN/MM		SCALE 4:1	DESIGN UNITS INCH	THIRD ANGLE PROJECTION
		4 PLACES ± --- ± --- 3 PLACES ± --- ± .005 2 PLACES ± 0.13 ± .01 1 PLACE ± 0.25 ± --- ANGULAR ±1/2°	DRAWN BY BSMART CHECKED BY BBARKER APPROVED BY SMILLER	DATE 12/29/2005 DATE 12/29/2005 DATE 12/29/2005	TITLE SALES ASSEMBLY 2 CIRCUIT SHUNT TERMINAL W/OPEN END			MATERIAL NO. SEE TABLE
DRAFT WHERE APPLICABLE MUST REMAIN WITHIN DIMENSIONS		THIS DRAWING CONTAINS INFORMATION THAT IS PROPRIETARY TO MOLEX INCORPORATED AND SHOULD NOT BE USED WITHOUT WRITTEN PERMISSION						