

**PLEASE CHECK WWW.MOLEX.COM FOR LATEST PART INFORMATION**

**Part Number:** **1045216001**  
**Status:** **Active**  
**Overview:** IllumiMate™ Connector System  
**Description:** IllumiMate™ 1.25mm Wire-to-Board Connector, Receptacle Terminal, Pre-plated, Tin (Sn)

**Documents:**

[Drawing \(PDF\)](#)  
[Product Specification PS-104122-001 \(PDF\)](#)  
[Packaging Specification PK-104521-001 \(PDF\)](#)  
[RoHS Certificate of Compliance \(PDF\)](#)

**General**

Product Family	Crimp Terminals
Series	<u>104521</u>
Application	Signal
Crimp Quality Equipment	Yes
Overview	<u>IllumiMate™ Connector System</u>
Product Name	IllumiMate™
UPC	884982508835

**Physical**

Durability (mating cycles max)	30
Gender	Female
Material - Metal	Phosphor Bronze
Material - Plating Mating	Tin
Material - Plating Termination	Tin
Net Weight	0.028/g
Packaging Type	Reel
Termination Interface: Style	Crimp or Compression
Wire Insulation Diameter	0.95mm max.
Wire Size AWG	26, 32
Wire Size mm <sup>2</sup>	N/A

**Electrical**

Current - Maximum per Contact	1.0A
Voltage - Maximum	250V

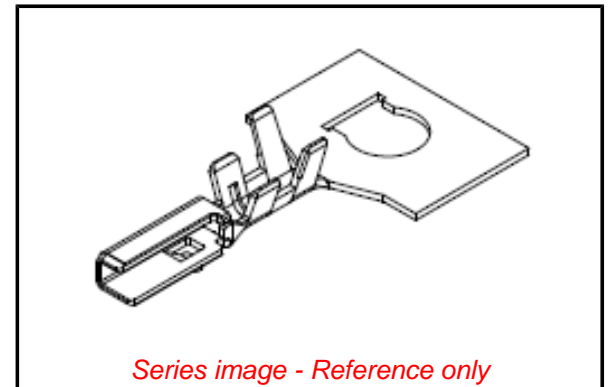
**Solder Process Data**

Lead-freeProcess Capability	N/A
-----------------------------	-----

**Material Info**

**Reference - Drawing Numbers**

Packaging Specification	PK-104521-001
Product Specification	PS-104122-001
Sales Drawing	SD-104521-001



**EU ELV**

**Not Relevant**

**EU RoHS**

**Compliant**

**REACH SVHC**

Contains SVHC(2014 December 17): No

**Halogen-Free**

**Status**

**Low-Halogen**

**Need more information on product environmental compliance?**

Email [productcompliance@molex.com](mailto:productcompliance@molex.com)  
 Please visit the [Contact Us](#) section for any non-product compliance questions.

China ROHS  
 ELV

**China RoHS**

Green Image  
 Not Relevant

**Search Parts in this Series**

104521 Series

**Use With**

104092 , 104105 , 104121 Crimp Housings

**Application Tooling | FAQ**

*Tooling specifications and manuals are found by selecting the products below. Crimp Height Specifications are then contained in the Application Tooling Specification document.*

**Global**

Description	Product #
Hand Crimp Tool for IllumiMate™ 1.25mm Wire-to-Board Crimp Terminals	<u>0638272300</u>

**PLEASE CHECK [WWW.MOLEX.COM](http://WWW.MOLEX.COM) FOR LATEST PART INFORMATION**