

PLEASE CHECK WWW.MOLEX.COM FOR LATEST PART INFORMATION

Part Number: [1045216001](#)
Status: **Active**
Overview: [IllumiMate™ Connector System](#)
Description: IllumiMate™ 1.25mm Wire-to-Board Connector, Receptacle Terminal, Pre-plated, Tin (Sn)

Documents:

[Drawing \(PDF\)](#) [Packaging Specification PK-104521-001 \(PDF\)](#)
[Product Specification PS-104122-001 \(PDF\)](#) [RoHS Certificate of Compliance \(PDF\)](#)

General

Product Family	Crimp Terminals
Series	104521
Application	Signal
Crimp Quality Equipment	Yes
Overview	IllumiMate™ Connector System
Product Name	IllumiMate™
UPC	884982508835

Physical

Durability (mating cycles max)	30
Gender	Female
Material - Metal	Phosphor Bronze
Material - Plating Mating	Tin
Material - Plating Termination	Tin
Net Weight	0.028/g
Packaging Type	Reel
Termination Interface: Style	Crimp or Compression
Wire Insulation Diameter	0.95mm max.
Wire Size AWG	26, 32
Wire Size mm²	N/A

Electrical

Current - Maximum per Contact	1.0A
Voltage - Maximum	250V

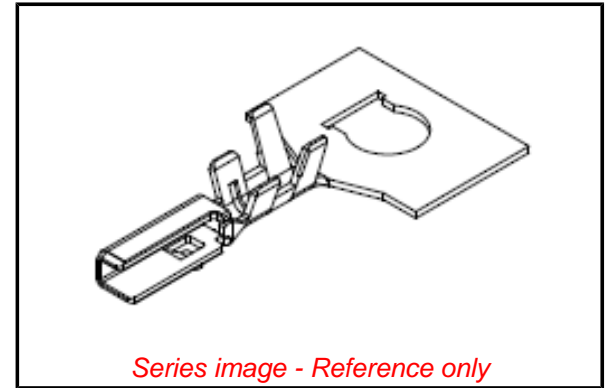
Solder Process Data

Lead-freeProcess Capability	N/A
-----------------------------	-----

Material Info

Reference - Drawing Numbers

Packaging Specification	PK-104521-001
Product Specification	PS-104122-001
Sales Drawing	SD-104521-001



EU ELV

Not Relevant

EU RoHS

Compliant

REACH SVHC

Contains SVHC(2014 December 17): No

Halogen-Free

Status

Low-Halogen

Need more information on product environmental compliance?

Email productcompliance@molex.com
Please visit the [Contact Us](#) section for any non-product compliance questions.

China ROHS

ELV

China RoHS

Green Image

Not Relevant

Search Parts in this Series

[104521](#) Series

Use With

[104092](#) , [104105](#) , [104121](#) Crimp Housings

Application Tooling | FAQ

Tooling specifications and manuals are found by selecting the products below. Crimp Height Specifications are then contained in the Application Tooling Specification document.

Global

Description

Product #

Hand Crimp Tool for IllumiMate™ 1.25mm Wire-to-Board Crimp Terminals	0638272300
--	----------------------------

PLEASE CHECK WWW.MOLEX.COM FOR LATEST PART INFORMATION