

MATERIALS AND FINISHES

N BODY BRASS
PLATED NICKEL (100u" MIN)

MCX BODY BRASS
PLATED GOLD (3u" MIN)

CENTER CONTACT BERYLLIUM COPPER
PLATED GOLD (30u" MIN)

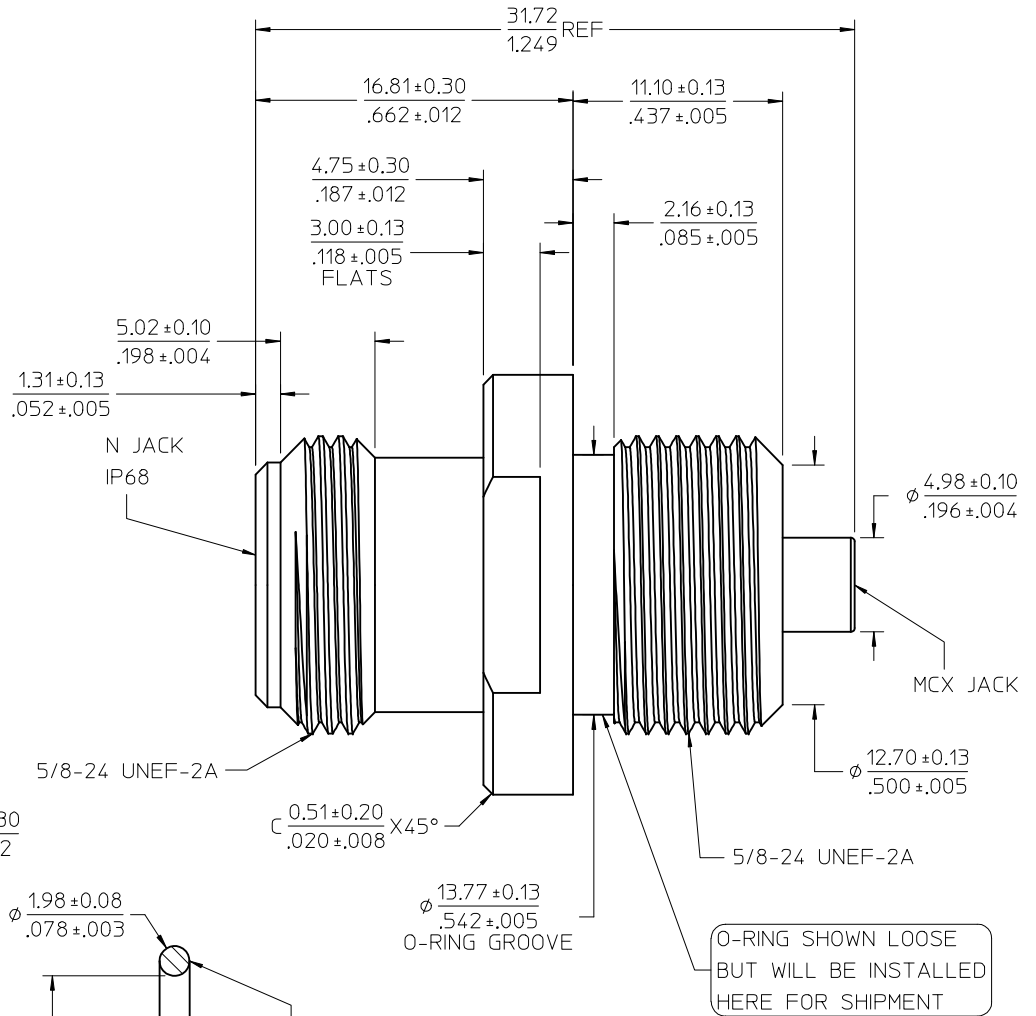
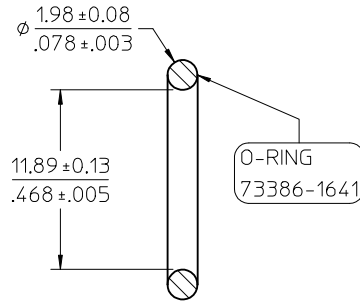
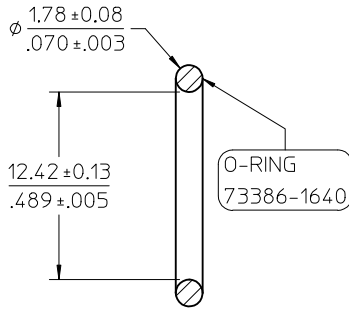
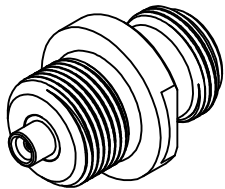
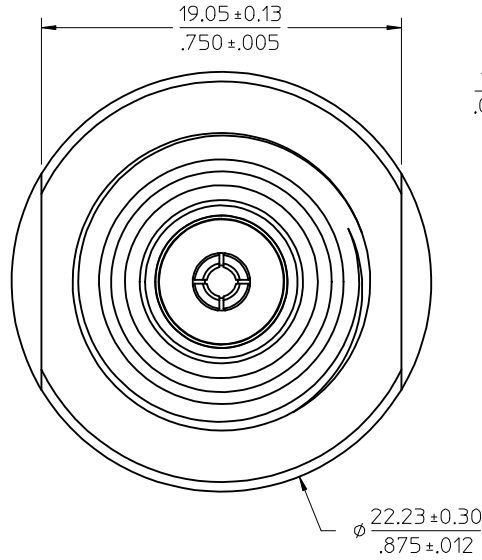
INSULATOR TEFLON

O-RING (73386-1640):
PIONEER MATERIAL PRECISION
MATERIAL, SILICONE RUBBER KE-971TU
DUROMETER 70
COLOR RED

TEMPERATURE RANGE: -55°C TO +165°C

O-RING (73386-1641):
APPLE RUBBER PRODUCTS
EPDM, 70 SHORE A, BLACK
-55°C TO +150°C
COMPOUND: 18EP7AP

ELECTRICAL:
IMPEDANCE: 50 OHM
FREQUENCY RANGE: DC-6GHZ
VSWR (RL): 1.30 (17.7dB) MAX
INSERTION LOSS: 0.20dB MAX
DWB: 1000 VRMS MIN



73386-1641	EPDM CUSTOM
73386-1640	STANDARD
PART NO.	O-RING

CHGO-RING MATERIAL NOTE REVISE EWR RF15-E092	EC NO: URF2015-0307 DRWN: YCHENG 2014/12/19 CHKD: APPR: YCHENG 2015/06/09	DESCRIPTION REV	QUALITY SYMBOLS ▽=0 ▽=0	GENERAL TOLERANCES (UNLESS SPECIFIED) <table border="1"> <tr> <th></th> <th>mm</th> <th>INCH</th> </tr> <tr> <td>4 PLACES</td> <td>± .005</td> <td>± .0005</td> </tr> <tr> <td>3 PLACES</td> <td>± .005</td> <td>± .0005</td> </tr> <tr> <td>2 PLACES</td> <td>± .005</td> <td>± .0005</td> </tr> <tr> <td>1 PLACE</td> <td>± .005</td> <td>± .0005</td> </tr> </table> ANGULAR ± 2 °		mm	INCH	4 PLACES	± .005	± .0005	3 PLACES	± .005	± .0005	2 PLACES	± .005	± .0005	1 PLACE	± .005	± .0005	DIMENSION STYLE MM/IN	SCALE DESIGN UNITS METRIC	THIRD ANGLE PROJECTION
				mm	INCH																	
			4 PLACES	± .005	± .0005																	
			3 PLACES	± .005	± .0005																	
2 PLACES	± .005	± .0005																				
1 PLACE	± .005	± .0005																				
DRAWN BY JWIENER 2012/11/05				DATE 2012/11/05																		
CHECKED BY SSS 2012/11/21				DATE 2012/11/21																		
APPROVED BY JWIENER 2012/11/21				DATE 2012/11/21																		
MATERIAL NO. SEE TABLE				DOCUMENT NO. SD-73386-164																		
DRAFT WHERE APPLICABLE MUST REMAIN WITHIN DIMENSIONS				THIS DRAWING CONTAINS INFORMATION THAT IS PROPRIETARY TO MOLEX INCORPORATED AND SHOULD NOT BE USED WITHOUT WRITTEN PERMISSION																		