

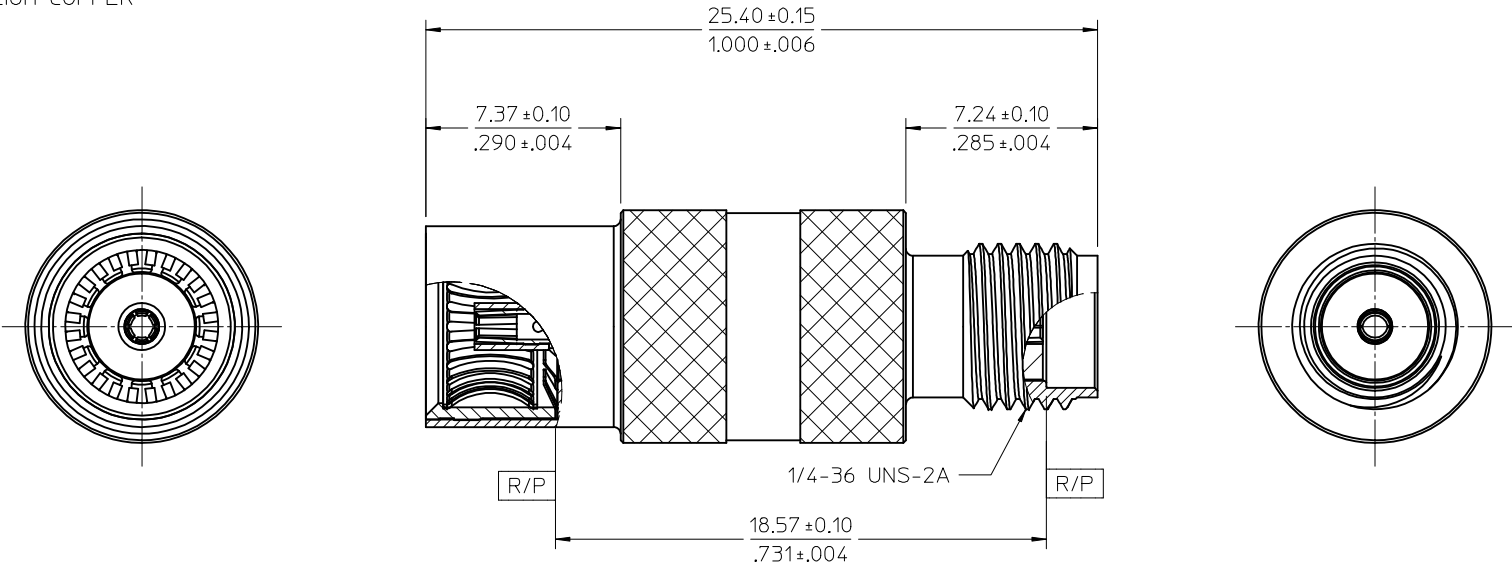
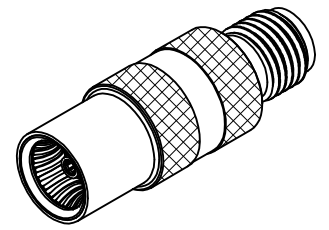
MATERIALS AND FINISHES

BODY BRASS
PLATED GOLD

CENTER CONTACT BERYLLIUM COPPER
PLATED GOLD

INSULATOR TEFLON

BMA SPRING BERYLLIUM COPPER
PLATED GOLD



73386-5250	TRAY
PART NO.	PACKAGING

MIL-STD-348A, FIG. 321.2	INTERFACE BMA
MIL-STD-348A, FIG. 310.2	INTERFACE SMA
SPECIFICATION	DESCRIPTION

CHG:NEW RELEASE PER PDR1411783	EC NO: URF2015-0303	DRW:RYEH	CHKD: 2014/11/26	APPR:YCHENG	2014/12/24
REV	DESCRIPTION				
A					

QUALITY SYMBOLS	GENERAL TOLERANCES (UNLESS SPECIFIED)
▽=0	mm INCH
▽=0	4 PLACES ± --- ± ---
▽=0	3 PLACES ± --- ± ---
	2 PLACES ± --- ± ---
	1 PLACE ± --- ± ---
	0 PLACE ± --- ± ---
	ANGULAR ± 2 °
	DRAFT WHERE APPLICABLE MUST REMAIN WITHIN DIMENSIONS

DIMENSION STYLE	SCALE	DESIGN UNITS	THIRD ANGLE PROJECTION
MM/IN	7:1	METRIC	☉
DRAWN BY	DATE	TITLE	
RYEH	2014/11/24	BSA BMA JACK TO SMA JACK	
CHECKED BY	DATE	IN-LINE 50 OHMS	
KERRIE	2014/11/24	BSA-BMAJ/SMAJ	
APPROVED BY	DATE	molex	
YCHENG	2014/12/24	DOCUMENT NO. SD-73386-525	
MATERIAL NO.	SIZE	SHEET NO. 1 OF 1	
SEE TABLE	C	THIS DRAWING CONTAINS INFORMATION THAT IS PROPRIETARY TO MOLEX INCORPORATED AND SHOULD NOT BE USED WITHOUT WRITTEN PERMISSION	