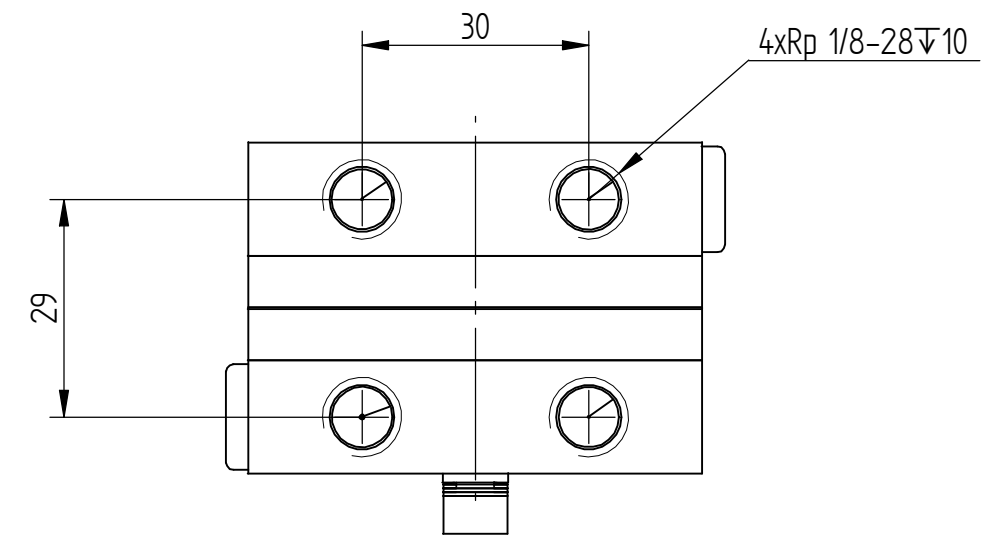


Specification: (Ta=32°C)	Code:	Description:
Heat transfer, cold side:	L	Liquid
Heat transfer, warm side:	L	Liquid
Cascade:	-	
Cooling power: [W]	210	266 W at dT=0°C. Tolerance: ±10%.
Voltage, nominal: [VDC]	24	24 VDC.
TEM Voltage: [VDC]		Nominal: 24 VDC, Max: 30 VDC.
TEM Current: [A]		Nominal: 7,9 A, Initial: 8,5 A. All at dT=0°C. Tolerance: ±10%.
Fans, cold side:	0	None.
Fans, warm side:	0	None.
Temperature controller, sensor:	0	None.
Temperature control settings, trim options:	0	-
Additional controller information:		
Temperature control position:	0	-
Options:	0	-
Weight:		14 kg
Overheating thermostat:		75°C ±5°C on hot side heat sink surface. Not wired in serie with TEMs. Use it to control a relay.
Operating temperature:		Max. 62°C at nominal voltage.
TE-Module(s) temperature specification:		Max. surface temperature: 80°C.
Enclosed:		Turbolators fitted in liquid channels.
Packing:		Individual cardboard box.

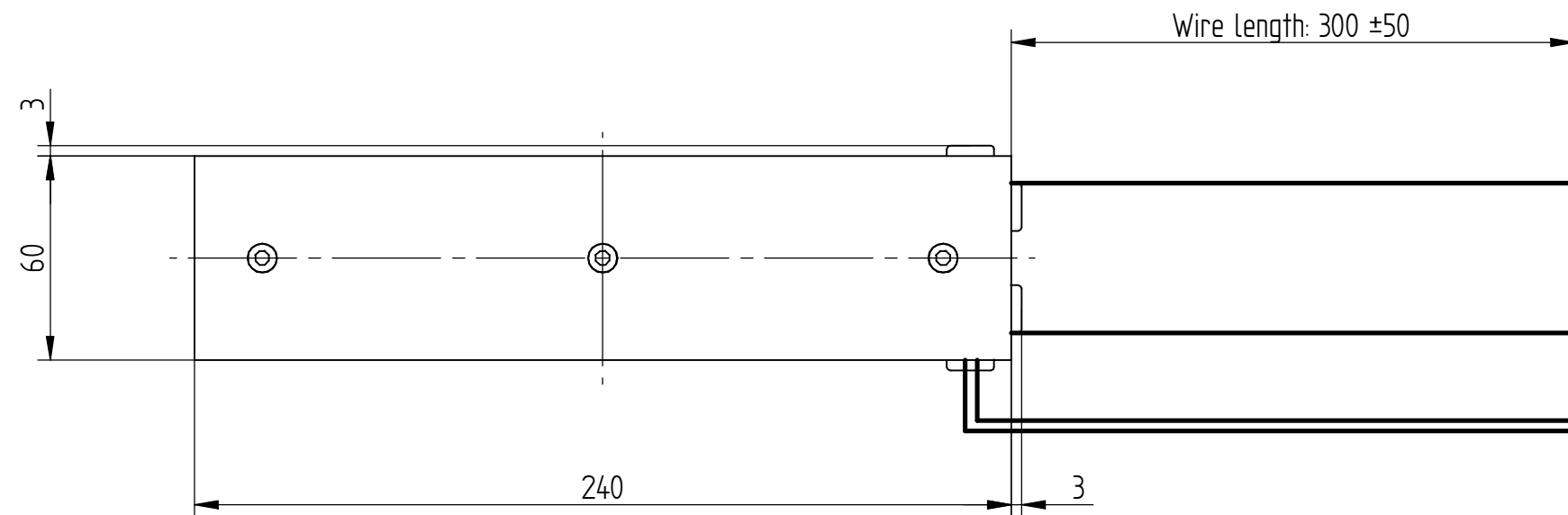
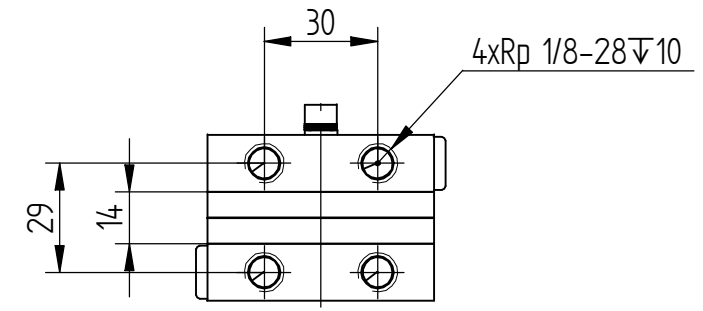
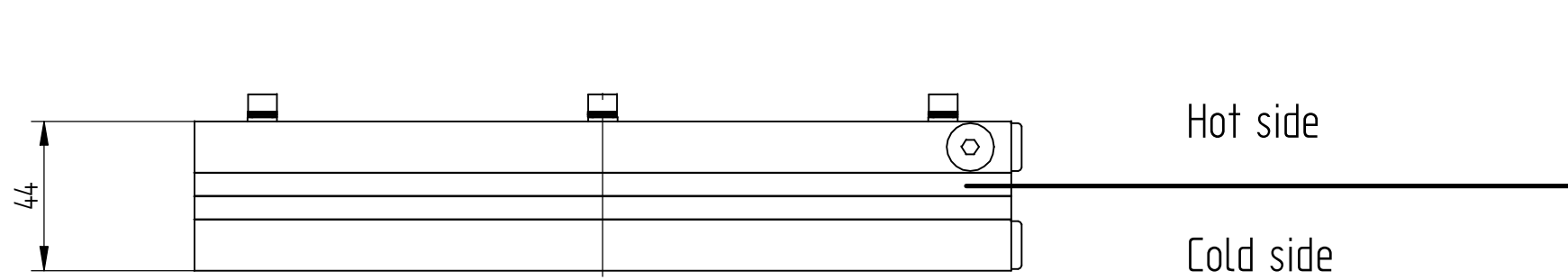


Note: To protect the thermo electric modules (TEM:s) by the Over-Heating Thermostat (OHT), the TEM:s must be wired over a relay (>13 A) controlled by the OHT (max. 12 A).

Comments / deviations: Heat sinks and, if applicable, D-plates and shrouds in anodised aluminium.		General tolerances: SS-ISO 2768-1 c-M	
Designed by: Pavel Cech	Approved by: Hans Lindberg	Release date: YYYYMMDD	Customer: Supercool AB
Project: HDPC		Title: TE ASSEMBLY 24 VDC LIQUID - LIQUID	
Part nr: LL-210-24-00-00-00		Rev. nr: 1	Status: 0
Scale: 1:1		Size, sheet: A3, 1(3)	




Supercool AB
Box 27, S-40120 Göteborg, Sweden
tfn: +46 31 420530, fax: +46 31 247909
e-mail: info@supercool.se
Web: www.supercool.se



Electrical connections:
 Red: + TEM
 Black: - TEM

OHT-wires. Max 12 A.
 (Not connectet with TEM:s).

Comments / deviations: Heat sinks and, if applicable, D-plates and shrouds in anodised aluminium.				General tolerances: SS-ISO 2768-1 c-M	
Designed by: Pavel Cech	Approved by: Hans Lindberg	Release date: YYYYMMDD	Customer: Supercool AB	Project: HDPC	
 <p>Supercool AB Box 27, S-40120 Göteborg, Sweden tfn: +46 31 420530, fax: +46 31 247909 e-mail: info@supercool.se Web: www.supercool.se</p>		Title: TE ASSEMBLY 24 VDC LIQUID - LIQUID			
		Part nr: LL-210-24-00-00-00	Rev. nr: 1	Status: 0	Scale: 1:2