

SF1102-6001

NOTES:

1. MATING:

Interface dimensions per Mil-C-39012/SMA and TNC Series and Solitron/Microwave MD-107 and MD-108.

2. MATERIALS:

All Metal parts Except Contact: Stainless Steel per QQ-S-764, Type 303, Cond. A.

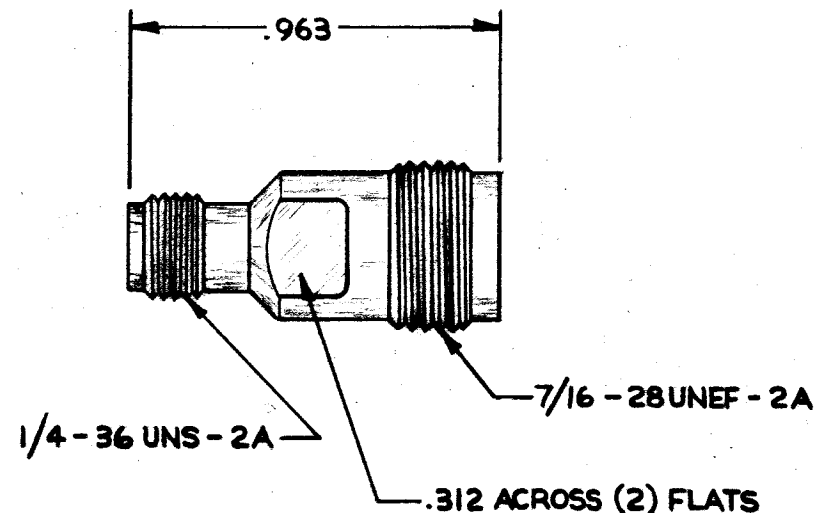
Contact: Beryllium Copper per QQ-C-530, Cond. H, Alloy 173.

Dielectric: Teflon per Mil-P-19468 and L-P-403, Type I.

3. FINISH:

All Metal parts except Contact: Passivate per QQ-P-35A, Type I.

Contact: Gold per Mil-G-45204, Type II, Grade C, Class 2; over Copper per Mil-C-14550, Class 4.



SYM	DESCRIPTION	DATE	APPR.	UNLESS OTHERWISE SPECIFIED	SOLITRON/MICROWAVE		ENGINEERING DATA DRAWING
-	REL. DCNF-6429	5/78	DGG	1. REMOVE ALL BURRS	PORT SALERNO, FLORIDA		
A	REL. F-7186	6/79	DGG	2. BREAK ALL CORNERS & EDGES .005 R MAX.	MATERIAL		TITLE
				3. CHAMFER 1ST & LAST THREADS 45°	FINISH		SMA FEMALE TO PTNC FEMALE ADAPTER
				4. SURFACE ROUGHNESS 63 ✓ MIL-STD-10	SCALE		DRAWING NO.
				5. DIAMETERS ON COMMON CENTERS TO BE CONCENTRIC WITHIN — T.I.R.	—		SF1102-6001
				6. ALL DIMENSIONS ARE AFTER PLATING	CODE IDENT. NO.		SHEET 1 OF 2
				DIMENSIONS ARE IN INCHES	95077		
				TOLERANCES	A		
				DECIMALS FRACTIONAL ANGULAR	SIZE		
				.X ± .030 X' ± 1°0'	DRAWING NO.		
				.XX ± .015 ± 1/64 X'X' ± 15'	—		
				.XXX ± .005	DRAWING NO.		
				DRAWN <i>Arden</i> DATE 5-4-78	—		
				CHECKED DATE	—		
				APPROVED <i>DGG</i> DATE 5/9/78	—		

ENG. FILE COPY

"DESIGN CRITERIA"

REQUIREMENT	RATING		REQUIREMENT	RATING
Nominal Impedance (ohms)	50		Vibration	MIL-STD-202 method 204 Cond. D (20G's)
Frequency Range (ghz)	DC-15.0			
Voltage Rating (max. vrms)	335		Shock	MIL-STD-202 method 213 Cond. I (100G's)
Temperature Rating (degrees centigrade)	-65 To +165			
VSWR (max.)	1.07 +.010xFGHZ		Temperature Cycling	MIL-STD-202 method 102 - Cond. C (-65°C To +200°C)
Insertion Loss (dB max.)	.05x√FGHZ			
RF Leakage (min. dB down)	100 dB-FGHZ		Corrosion	MIL-STD-202 method 101 Cond. B (48 hrs.)
RF High Potential (max. vrms)	670 AT 5MHZ			
Dielectric Withstanding Voltage (max. vrms)	1000		Moisture Resistance	MIL-STD-202 method 106 less step 7b
Insulation Resistance (min. megohms)	5000			
Contact Resistance	4.5 2.0		Barometric Pressure (Altitude)	MIL-STD-202 method 105 Cond. C (70,000 ft.) (250 vrms)
Center Contact (max. milliohms)				
Outer Contact (max. milliohms)			Hermeticity	N/A
Center Contact Axial Forces	SMA	TNC		
Insertion (max. ounces)	48.0	24.0		
Withdrawal (min. ounces)	2.0	2.0	Captivation Center Contact: (Min. Axial Force)	6 Lbs.
Connector Durability (min. cycles)	500			
Connector Engagement & Disengagement (max. inch lbs.)	2.0			

REMARKS: 1.) RECOMMENDED MATING TORQUE: SMA - 7-10 INCH POUNDS.
PTNC - 30-35 INCH POUNDS.

ENG. FILE COPY

TITLE SMA FEMALE TO
PTNC FEMALE ADAPTER

SOLITRON/MICROWAVE
PORT SALERNO, FLORIDA

SHEET 2 OF 2

DRAWING NO.
SF1102-6001

REV
A