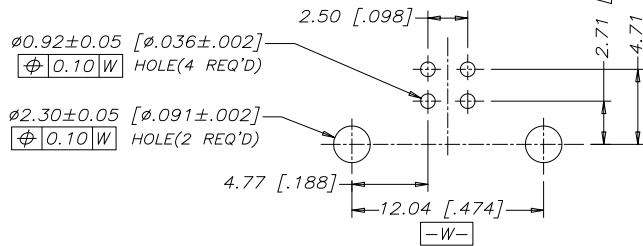
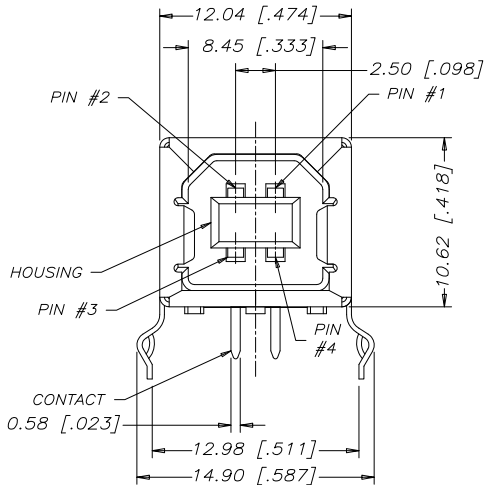


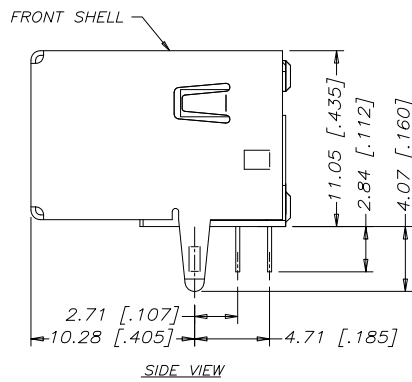
TOP VIEW



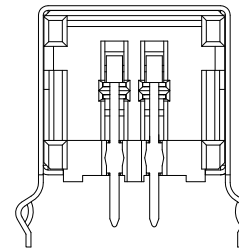
RECOMMENDED PC BOARD LAYOUT
(COMPONENT SIDE OF BOARD)



FRONT VIEW



SIDE VIEW



REAR VIEW
(WITHOUT REAR SHELL)

NOTES:

- MATERIALS:** HOUSING: HIGH TEMPERATURE THERMOPLASTIC OR POLYESTER(SEE AMPHENOL PART NUMBER SYSTEM FOR MATERIAL OPTIONS),FLAMMABILITY UL94V-0. COLOUR: SEE AMPHENOL PART NUMBER SYSTEM FOR COLOUR OPTIONS.
CONTACTS: PHOSPHOR BRONZE.
FRONT SHELL: COPPER ALLOY.
REAR SHELL (WHERE APPLICABLE): STEEL (SPCC).

CONTACT&SHELL PLATING:
CONTACT: PLATING SEE AMPHENOL PART NUMBER SYSTEM FOR PLATING OPTIONS.
FRONT SHELL PLATING: NICKEL OVER COPPER UNDERPLATE.
REAR SHELL PLATING:NICKEL PLATED.
- UNLESS STATED OTHERWISE, TOLERANCES ARE ± 0.30 .
- THE FINISHED CONNECTOR UE27-BCX4-XXH MUST BE ABLE TO WITHSTAND A 260°C SOLDER REFLOW PROFILE WITHOUT DAMAGE OR DISTORTION. (PEAK TEMPERATURE 260°C FOR 10s)
- ALL CONNECTOR&SHELL AND PACKING MATERIALS TO BE RoHS COMPLIANT.

THIS DOCUMENT CONTAINS PROPRIETARY INFORMATION AND SUCH INFORMATION MAY NOT BE DISCLOSED TO OTHERS FOR ANY PURPOSE OR USED FOR MANUFACTURING PURPOSES WITHOUT WRITTEN PERMISSION FROM AMPHENOL CANADA CORP.

REVISIONS				
SYM	ZONE	ECN, ERN NO.	DATE	APPRD.
D		PLATING REVISED	Aug4/09	L.C.
E		ADD DIEMNSIONS FOR SHIELD BOARD LOCK	JUL25/12	S.MUGAN



MATERIAL SEE NOTES ON SHEET 1 AND AMPHENOL PART NUMBER SYSTEM ON SHEET 2	DRAWN	MTChen	DATE	JUL31,2008	Amphenol Canada Corp.		
	DESIGNED	MTChen		JUL31,2008			
	CHECKED	L.CHAN		JUL31,2008			
	I. E. APPRD.						
FINISH SEE NOTES ON SHEET 1 AND AMPHENOL PART NUMBER SYSTEM ON SHEET 2	Q. A. APPRD.				TITLE UNIVERSAL SERIAL BUS RECEPTACLE, SERIES B,RIGHT ANGLE PCB TAIL, WITHOUT REAR SHEILD- RoHS COMPLIANT		
	DWG. APPRD.						
	ENG. REL. NO.						
	REF.	EAR E12970					
	DIMENSIONS ARE IN	CODE ID. NO.			DWG. DRAWING NO.	REV.	
	mm[INCHES]	03554			C	P-UE27-BCX4-XXX	E
					SCALE	4/1	WT. ----- SURF. ----- SHEET 1 OF 2

REVISIONS				
SYM	ZONE	ECN, ERN NO.	DATE	APPRD.
D		PLATING REVISED	Aug4/09	L.C.
E		ADD DIMENSIONS FOR SHIELD BOARD LOCK	JUL25/12	S.MUGAN

AMPHENOL PART NUMBER: U E 2 7 - B C X 4 - X X X

SERIES
UE27=RECEPTACLE

TYPE
B=SERIES B

STYLE
RIGHT ANGLE PCB TAIL

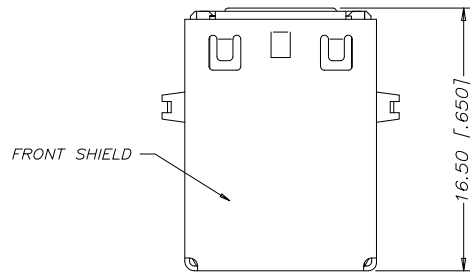
MODIFIER
0= POLYESTER HOUSING (PBT MATERIAL)
H= STANDARD PRODUCT- HIGH TEMP HOUSING (SEE NOTE 3)

SHIELDING OPTION
0=NO REAR SHIELD (SEE SHEET 1 OF 2)
3=WITH REAR SHIELD

HOUSING COLOUR:
1=BLACK
2=BEIGE(AVAILABLE IN STANDARD TEMP. ONLY)

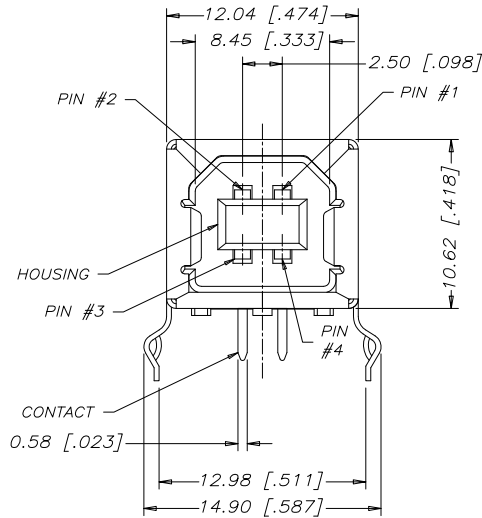
NUMBER OF CONTACTS
4=4 CONTACTS

CONTACT PLATING OPTION
5=30µin[0.76 MICRONS] GOLD OVER 40µin[1.02 MICRONS] MINIMUM NICKEL ON CONTACT MATING AREA.
100µin[2.54 MICRONS] MATTE TIN PLATING ON CONTACT TAILS.
7=GOLD FLASH OVER 40µin[1.02 MICRONS] MINIMUM NICKEL ON CONTACT MATING AREA.
100µin[2.54 MICRONS] MATTE TIN PLATING ON CONTACT TAILS.

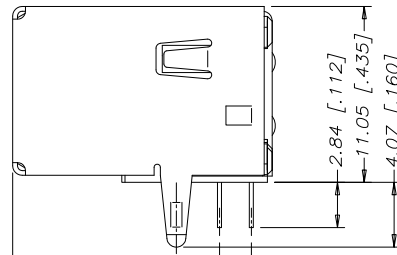


TOP VIEW

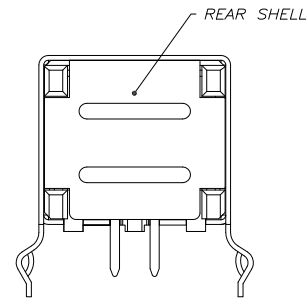
16.50 [.650]



FRONT VIEW



SIDE VIEW



REAR VIEW
(WITH REAR SHELL)



THIS DOCUMENT CONTAINS PROPRIETARY INFORMATION AND SUCH INFORMATION MAY NOT BE DISCLOSED TO OTHERS FOR ANY PURPOSE OR USED FOR MANUFACTURING PURPOSES WITHOUT WRITTEN PERMISSION FROM AMPHENOL CANADA CORP.

MATERIAL SEE NOTES ON SHEET 1 AND AMPHENOL PART NUMBER SYSTEM ON SHEET 2	DRAWN	MTCHen	DATE	JUL31,2006	Amphenol Canada Corp.						
	DESIGNED	MTCHen	DATE	JUL31,2006							
	CHECKED	L.CHAN	DATE	JUL31,2006							
	I. E. APPRD.										
FINISH SEE NOTES ON SHEET 1 AND AMPHENOL PART NUMBER SYSTEM ON SHEET 2	Q. A. APPRD.				TITLE UNIVERSAL SERIAL BUS RECEPTACLE, SERIES B,RIGHT ANGLE PCB TAIL, WITHOUT REAR SHEILD- RoHS COMPLIANT						
	DWG. APPRD.										
	ENG. REL. NO.										
	REF.	EAR E12970									
	DIMENSIONS ARE IN	CODE ID. NO.			DWG	DRAWING NO.		REV.			
	mm[INCHES]	03554			C	P-UE27-BCX4-XXX		E			
					SCALE	4/1	WT.		SURF.		SHEET 2 OF 2