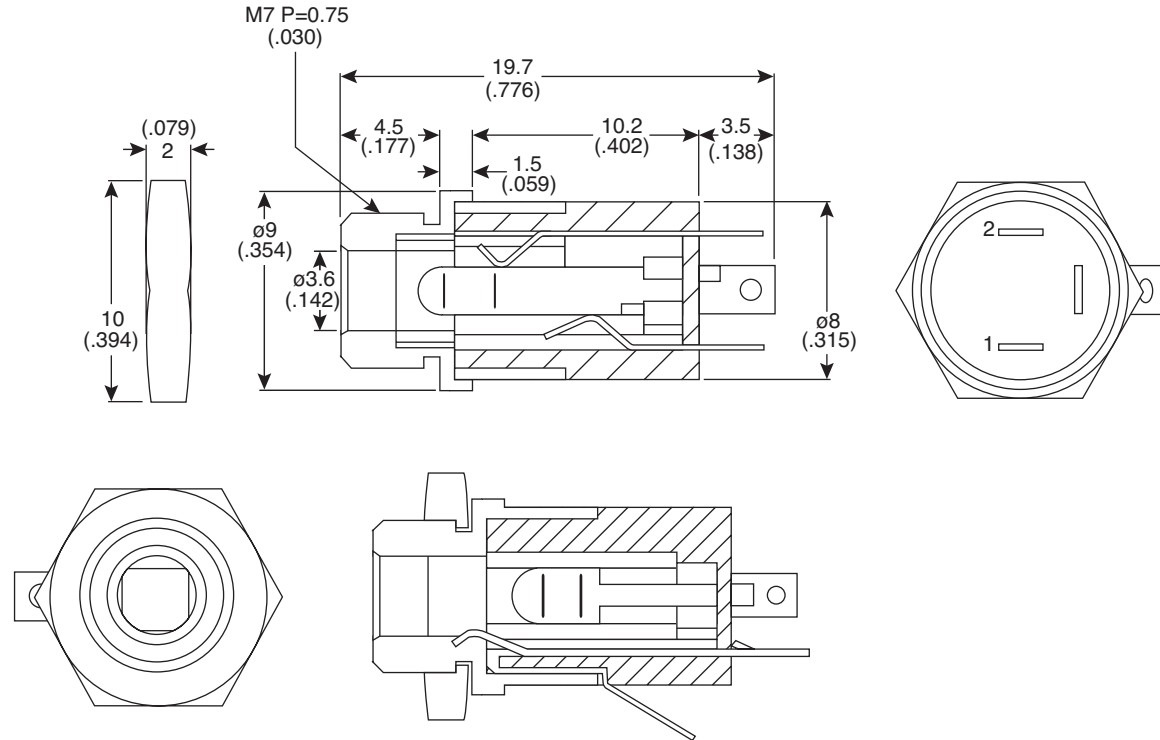


# 3.5mm 4 Cond Jack

161-7900-EX



3.5mm 4 Cond Jack



Dimensions: mm (In.)

SPECIFICATIONS	
Contact resistance:	50 miliohm max
Insulation resistance:	100 Megaohm min. @500VDC
Dielectric strength:	500VAC for one minute
Operation temperature:	-25° to 70°C
Solder temperature:	360°C ± 10°C for 3 sec.
Rating:	34VAC/DC 1A
Insertion force:	3kgf max
Withdrawal force:	0.3 - 3kgf
Life cycles:	5000 cycles min.
Body:	PBT-G30%
RoHS Compliant by Exemption	

Date Last Revised: 9-12-06

Available from Mouser Electronics  
 1-800-346-6873  
 www.mouser.com

KC-300833

161-7900-EX